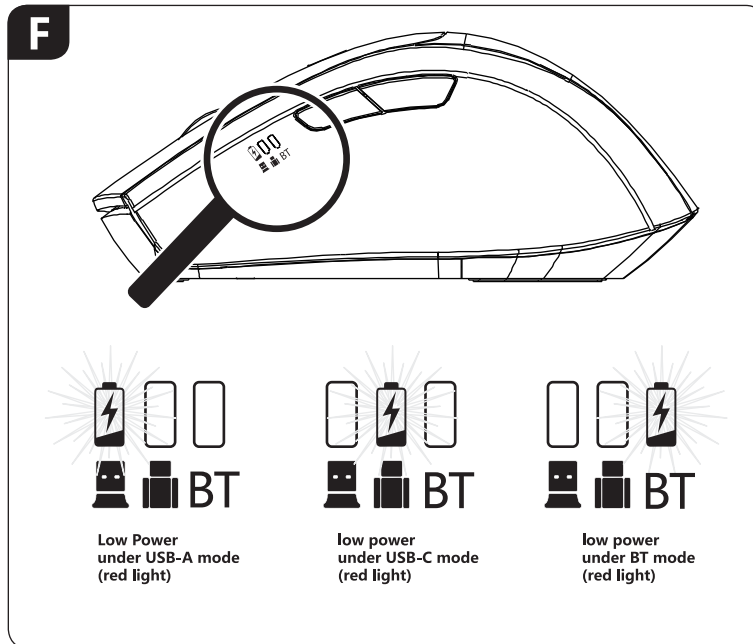
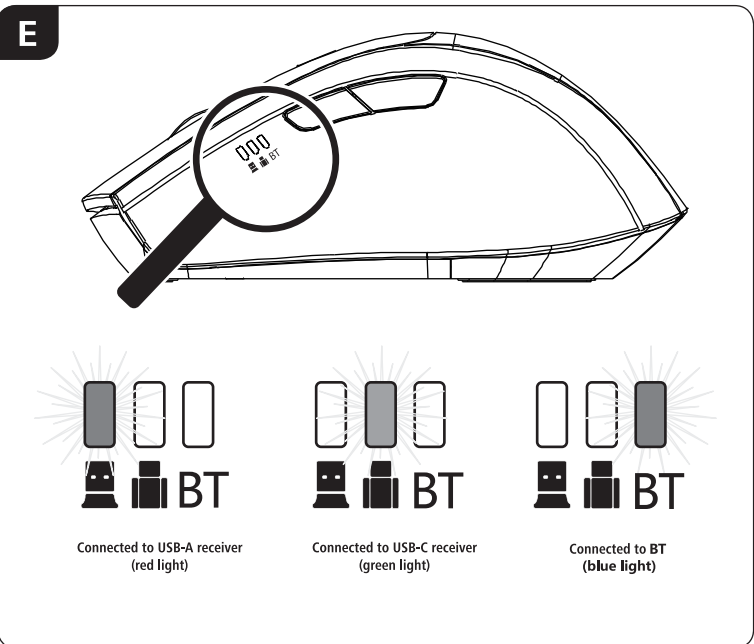
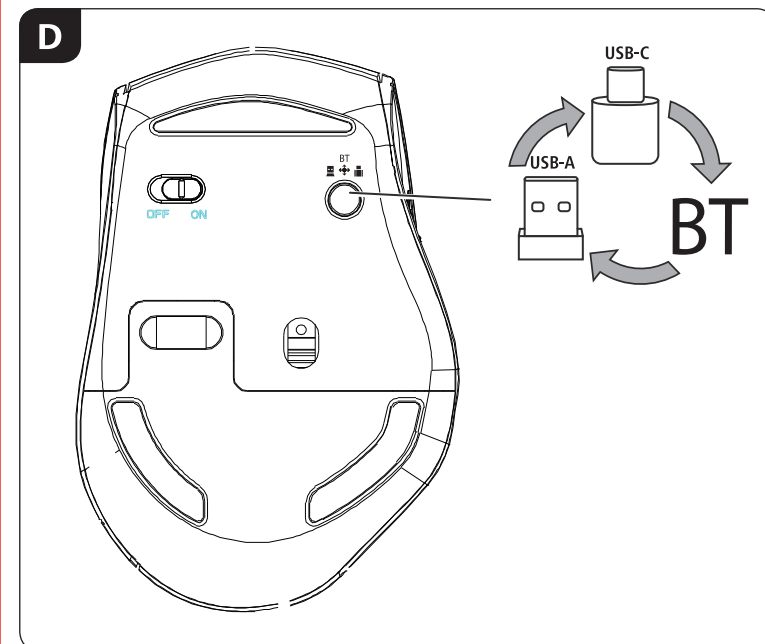
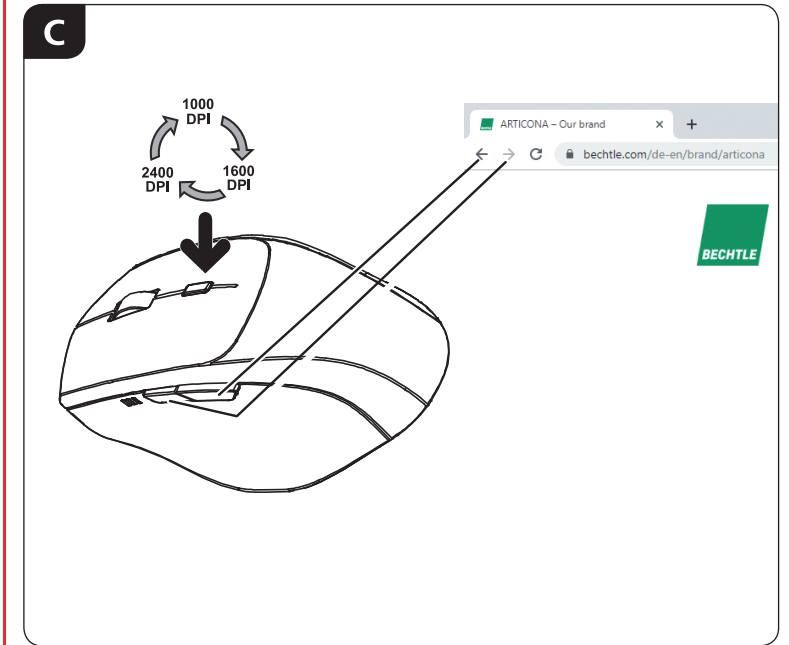
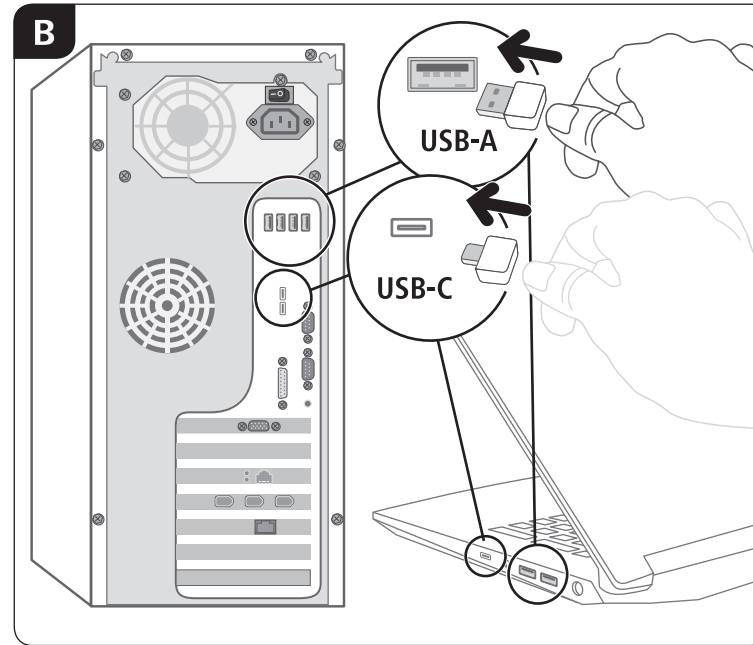
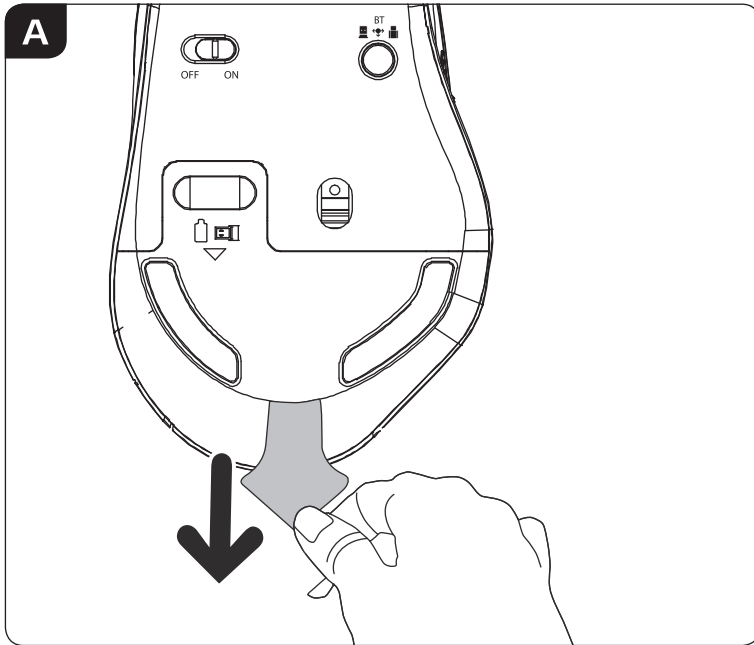
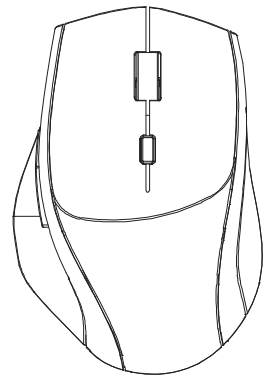


ARTICONA



G

Bluetooth Pairing

- Press round button and switch to the Bluetooth mode. Blue indicator light on the side will be on.
- Hold round button for 3 seconds till blue indicator light flashes.
- Find and pair BT4.0+2.4G Mouse on Bluetooth device list on your computer.