

iPad Pro

iPad Pro 11-inch

iPad Pro 12.9-inch

Finish



Silver, Space Gray



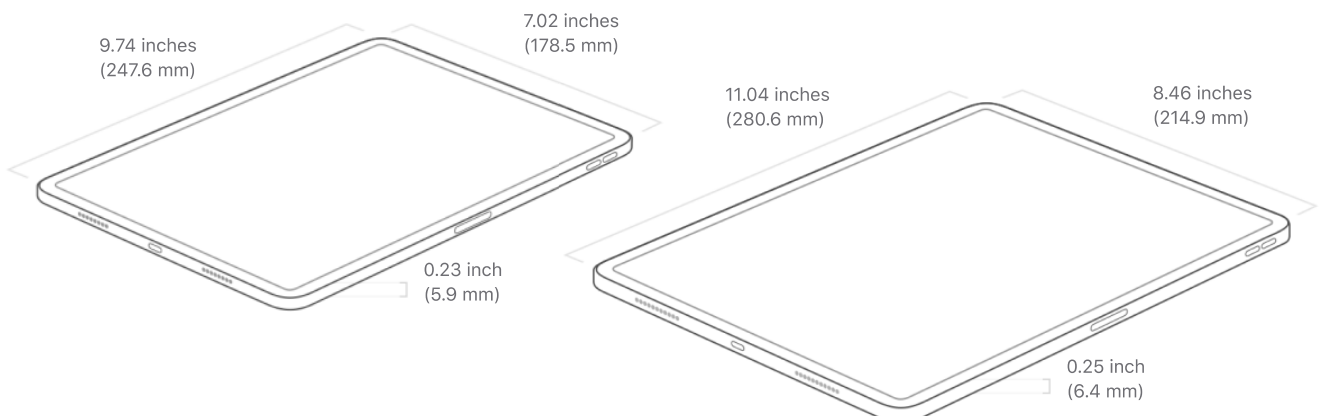
Silver, Space Gray

Capacity

128GB
256GB
512GB
1TB
2TB

128GB
256GB
512GB
1TB
2TB

Size and Weight



iPad Pro 11-inch

Wi-Fi models

1.03 pounds (466 grams)

Wi-Fi + Cellular models

1.04 pounds (470 grams)

iPad Pro 12.9-inch

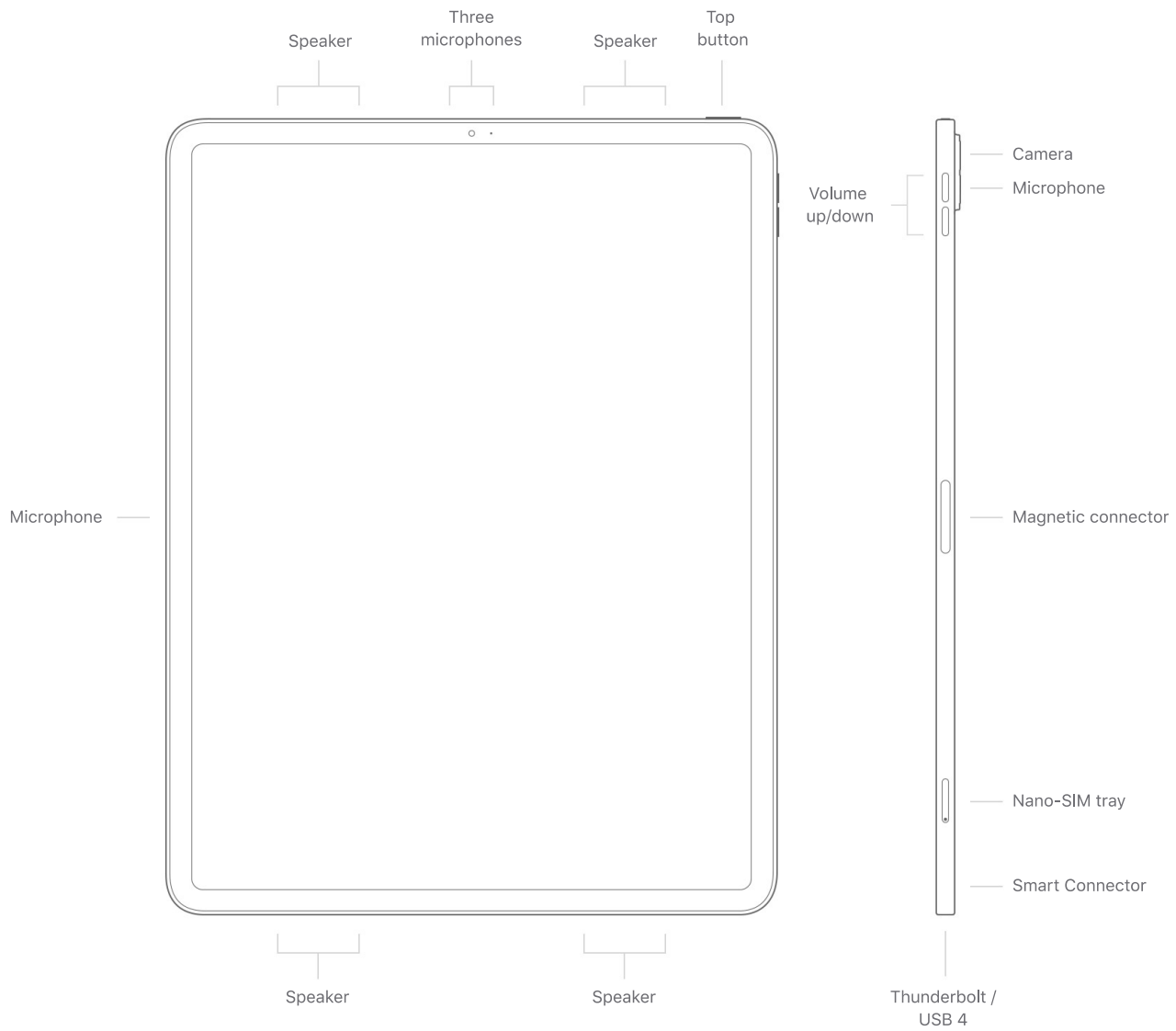
Wi-Fi models

1.5 pounds (682 grams)

Wi-Fi + Cellular models

1.51 pounds (685 grams)

Buttons and Connectors



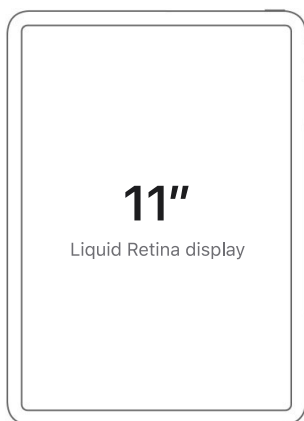
In the Box

iPad Pro

USB-C Charge Cable (1 meter)

20W USB-C Power Adapter

Display



Liquid Retina display

11-inch (diagonal) LED backlit Multi-Touch display with IPS technology

2388-by-1668-pixel resolution at 264 pixels per inch (ppi)

ProMotion technology

Wide color display (P3)

True Tone display

Fingerprint-resistant oleophobic coating

Fully laminated display

Antireflective coating

1.8% reflectivity

600 nits max brightness

Supports Apple Pencil (2nd generation)

The 11-inch iPad Pro display has rounded corners that follow a beautiful curved design, and these corners are within a standard rectangle. When measured as a standard rectangular shape, the screen is 11 inches diagonally (actual viewable area is less).



Liquid Retina XDR display

12.9-inch (diagonal) mini-LED backlit Multi-Touch display with IPS technology

2D backlighting system with 2596 full-array local dimming zones

2732-by-2048-pixel resolution at 264 pixels per inch (ppi)

ProMotion technology

Wide color display (P3)

True Tone display

Fingerprint-resistant oleophobic coating

Fully laminated display

Antireflective coating

1.8% reflectivity

600 nits max brightness

1000 nits max full-screen brightness;

1600 nits peak brightness (HDR)

1,000,000:1 contrast ratio

Supports Apple Pencil (2nd generation)

The 12.9-inch iPad Pro display has rounded corners that follow a beautiful curved design, and these corners are within a standard rectangle. When measured as a standard rectangular shape, the screen is 12.9 inches diagonally (actual viewable area is less).

Chip



Apple M1 chip

8-core CPU with 4 performance cores and 4 efficiency cores

8-core GPU

16-core Neural Engine

8GB RAM on models with 128GB, 256GB, or 512GB storage

16GB RAM on models with 1TB or 2TB storage

Camera

Pro camera system: Wide and Ultra Wide cameras
Wide: 12MP, $f/1.8$ aperture
Ultra Wide: 10MP, $f/2.4$ aperture, and 125° field of view
2x optical zoom out
Digital zoom up to 5x
Five-element lens (Wide and Ultra Wide)
Brighter True Tone flash
Panorama (up to 63MP)
Sapphire crystal lens cover
Autofocus with Focus Pixels (Wide)
Smart HDR 3
Wide color capture for photos and Live Photos
Lens correction (Ultra Wide)
Advanced red-eye correction
Photo geotagging
Auto image stabilization
Burst mode
Image formats captured: HEIF and JPEG

Video Recording

4K video recording at 24 fps, 25 fps, 30 fps, or 60 fps (Wide)
1080p HD video recording at 25 fps, 30 fps, or 60 fps
720p HD video recording at 30 fps
2x optical zoom out
Audio zoom
Brighter True Tone flash
Slo-mo video support for 1080p at 120 fps or 240 fps
Time-lapse video with stabilization
Extended dynamic range for video up to 30 fps
Cinematic video stabilization (4K, 1080p, and 720p)
Continuous autofocus video
Playback zoom
Video formats recorded: HEVC and H.264
Stereo recording

TrueDepth Camera

12MP Ultra Wide camera, 122° field of view
 $f/2.4$ aperture

Portrait mode with advanced bokeh and Depth Control
Portrait Lighting with six effects (Natural, Studio, Contour, Stage, Stage Mono, High-Key Mono)
Animoji and Memoji
Smart HDR 3
1080p HD video recording at 25 fps, 30 fps, or 60 fps
Time-lapse video with stabilization
Extended dynamic range for video up to 30 fps
Cinematic video stabilization (1080p and 720p)
Wide color capture for photos and Live Photos
Lens correction
Retina Flash
Auto image stabilization
Burst mode

Video Calling

FaceTime video
Center Stage
iPad to any FaceTime-enabled device over Wi-Fi or cellular

Audio Calling

FaceTime audio
iPad to any FaceTime-enabled device over Wi-Fi or cellular

Speakers

Four speaker audio

Microphones

Five studio-quality microphones for calls, video recording, and audio recording

Cellular and Wireless

All models

802.11ax Wi-Fi 6; simultaneous dual band (2.4GHz and 5GHz); HT80 with MIMO
Bluetooth 5.0 technology

Wi-Fi + Cellular models

Model A2301 and A2379:

5G NR (Bands n1, n2, n3, n5, n7, n8, n12, n20, n25, n28, n38, n40, n41, n66, n71, n77, n78, n79)

5G NR mmWave (Bands n260, n261)

FDD-LTE (Bands 1, 2, 3, 4, 5, 7, 8, 11, 12, 13, 14, 17, 18, 19, 20, 21, 25, 26, 28, 29, 30, 32, 66, 71)

TD-LTE (Bands 34, 38, 39, 40, 41, 42, 46, 48)

UMTS/HSPA/HSPA+/DC-HSDPA (850, 900, 1700/2100, 1900, 2100 MHz)

GSM/EDGE (850, 900, 1800, 1900 MHz)

Data only

Wi-Fi calling

eSIM

SIM Card

Nano-SIM (supports Apple SIM)

eSIM

Location

All models

Digital compass

Wi-Fi

iBeacon microlocation

Wi-Fi + Cellular models

Built-in GPS/GNSS

Cellular

Sensors

Face ID

LiDAR Scanner

Three-axis gyro

Accelerometer

Barometer

Ambient light sensor

Face ID

Enabled by TrueDepth camera for facial recognition

Unlock iPad

Secure personal data within apps

Make purchases from the iTunes Store, App Store, and Apple Books

Apple Pay

Pay with your iPad using Face ID within apps and on the web

Send and receive money in Messages

Siri

Use your voice to send messages, set reminders, and more

Get proactive suggestions

Use hands-free

Listen and identify songs

Charging and Expansion

Thunderbolt / USB 4 port with support for:

Charging

DisplayPort

Thunderbolt 3 (up to 40Gb/s)

USB 4 (up to 40Gb/s)

USB 3.1 Gen 2 (up to 10Gb/s)

Power and Battery

iPad Pro 11-inch

Built-in 28.65-watt-hour rechargeable lithium-polymer battery

iPad Pro 12.9-inch

Built-in 40.88-watt-hour rechargeable lithium-polymer battery

All models

Up to 10 hours of surfing the web on Wi-Fi or watching video

Charging via power adapter or USB-C to computer system

Wi-Fi + Cellular models

Up to 9 hours of surfing the web using cellular data network

Operating System

iPadOS 14

iPadOS comes with powerful features and built-in apps designed to take advantage of the unique capabilities of iPad.

Accessibility

Accessibility features help people with disabilities get the most out of their new iPad Pro. With built-in support for vision, hearing, mobility, and learning, you can create and do amazing things.

Features include:

- VoiceOver
 - Voice Control
 - Zoom
 - Magnifier
 - Siri and Dictation
 - Switch Control
 - Closed Captions
 - AssistiveTouch
 - Speak Screen
-

System Requirements

Apple ID (required for some features)

Internet access

Syncing to a Mac or PC requires:

macOS Catalina 10.15 or later using the Finder

macOS El Capitan 10.11.6 through macOS Mojave 10.14.6 using iTunes 12.8 or later

Windows 7 or later using iTunes 12.10 or later

Audio Playback

Audio formats supported: AAC-LC, HE-AAC, HE-AAC v2, Protected AAC, MP3, Linear PCM, Apple Lossless, FLAC, Dolby Digital (AC-3), Dolby Digital Plus (E-AC-3), Dolby Atmos, and Audible (formats 2, 3, 4, Audible Enhanced Audio, AAX, and AAX+)

Spatial audio playback

User-configurable maximum volume limit

TV and Video

Video formats supported: HEVC, H.264, MPEG-4 Part 2, and Motion JPEG

HDR with Dolby Vision, HDR10, and HLG

Up to 4K HDR AirPlay for mirroring, photos, and video out to Apple TV (2nd generation or later) or AirPlay 2-enabled smart TV

Video mirroring and video out support through USB-C Digital AV Multiport Adapter and USB-C VGA Multiport Adapter (adapters sold separately)

Mail Attachment Support

Viewable document types

.jpg, .tiff, .gif (images); .doc and .docx (Microsoft Word); .htm and .html (web pages); .key (Keynote); .numbers (Numbers); .pages (Pages); .pdf (Preview and Adobe Acrobat); .ppt and .pptx (Microsoft PowerPoint); .txt (text); .rtf (rich text format); .vcf (contact information); .xls and .xlsx (Microsoft Excel); .zip; .ics; .usdz (USDZ Universal)

Environmental Requirements

Operating ambient temperature:

32° to 95° F (0° to 35° C)

Nonoperating temperature:

-4° to 113° F (-20° to 45° C)

Relative humidity:

5% to 95% noncondensing

Operating altitude:

tested up to 10,000 feet (3000 m)