

AP-MNT-MP10-U Mount Kit

Installation Guide

The AP-MNT-MP10-U is a mount kit for mounting access points (AP) on a ceiling rail, wall or solid surface, and a single or dual gang wall-box. This mount kit is designed to work with the preassembled back-brace of the APs.

Package Contents

- Base bracket x 10
- Suspended ceiling rail clip x 10
- Wall and wall-box plate x 10
- Hook tool x 1

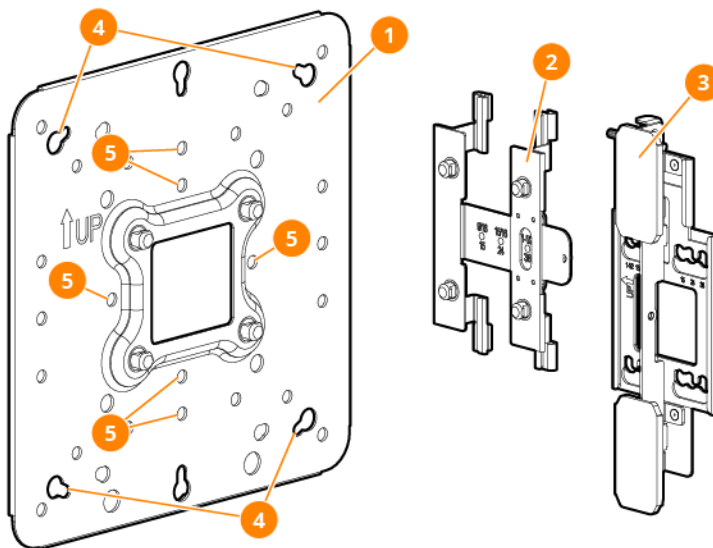
Customer Supplied Equipment

- Electric drill with drill bits, wall anchors, #1 Phillips screwdriver, and fastening hardware for wall mount

Mount Kit Overview

This AP-MNT-MP10-U mount kit consists of base bracket, ceiling rail clip, and wall and wall-box plate. See [Figure 1](#).

Figure 1 Mount Kit Overview



1	Wall and wall-box plate
2	Suspended ceiling rail clip
3	Base bracket

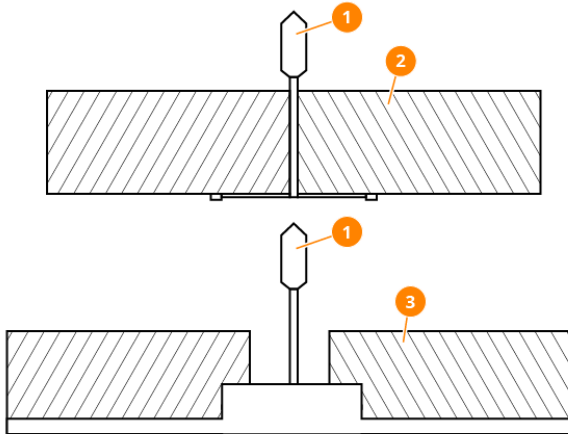
4	Wall mounting holes
5	Single-gang wall-box mounting holes (all other holes are dual-gang wall-box mounting holes)

Mounting the AP to a Ceiling Rail

Supported Ceiling Panels and Rails

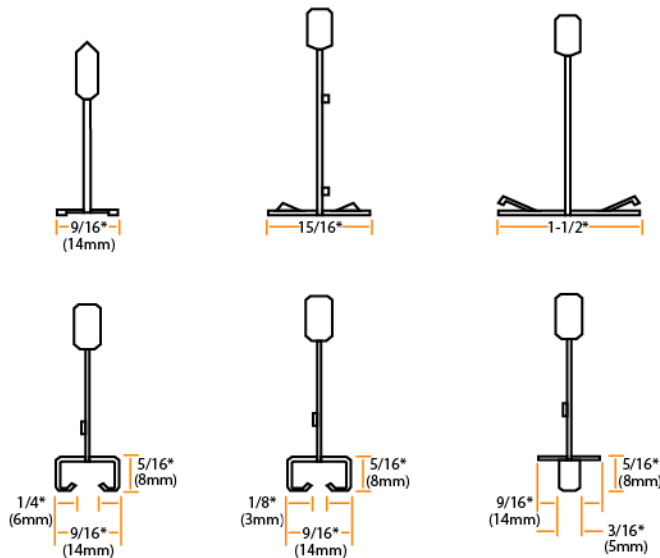
This AP-MNT-MP10-U mount kit supports several ceiling panels and rails.

Figure 2 Supported Ceiling Panel Types



1	Ceiling rail
2	Square lay-in panel
3	Tegular panel

Figure 3 Supported Ceiling Rail Types



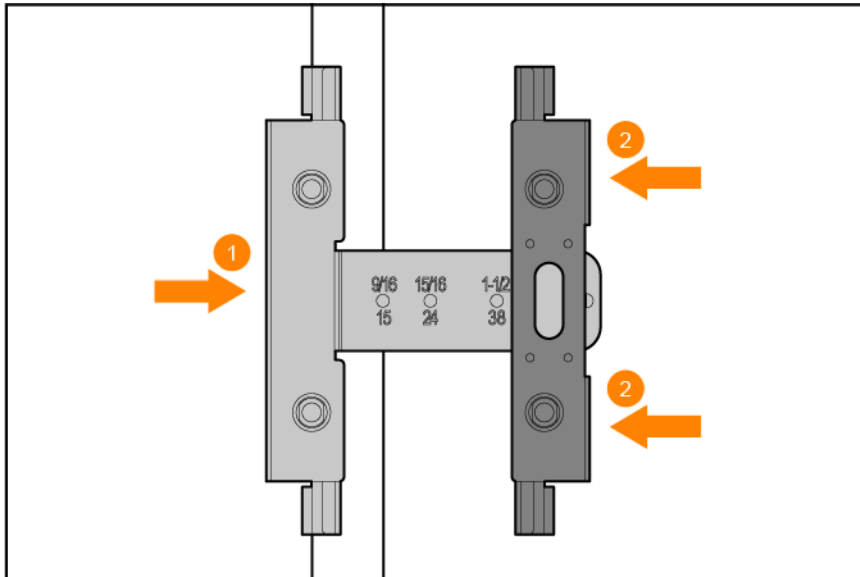
Installing Suspended Ceiling Rail Clip to Ceiling Rail



The figures below show the installation process of the mount kit used on a 9/16" ceiling rail. The mount kit can be installed on all ceiling rail types listed above using the same procedure.

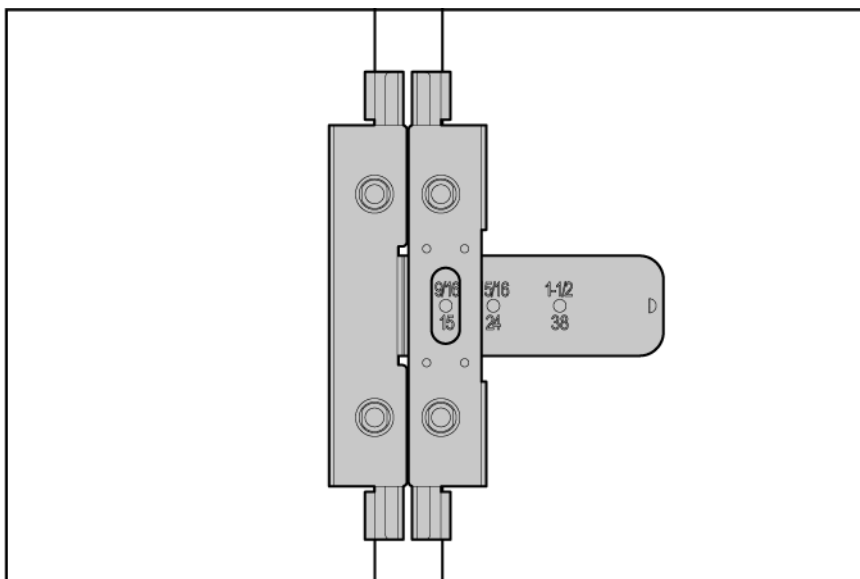
1. Check the ceiling rail width and types, and open the suspended ceiling rail clip, making sure the spacing of its two sides is wider than the ceiling rail width.
2. Place the suspended ceiling rail clip over the rail and clamp the left side of the suspended ceiling rail clip to the rail.

Figure 4 *Mounting Suspended Ceiling Rail Clip on Rail*



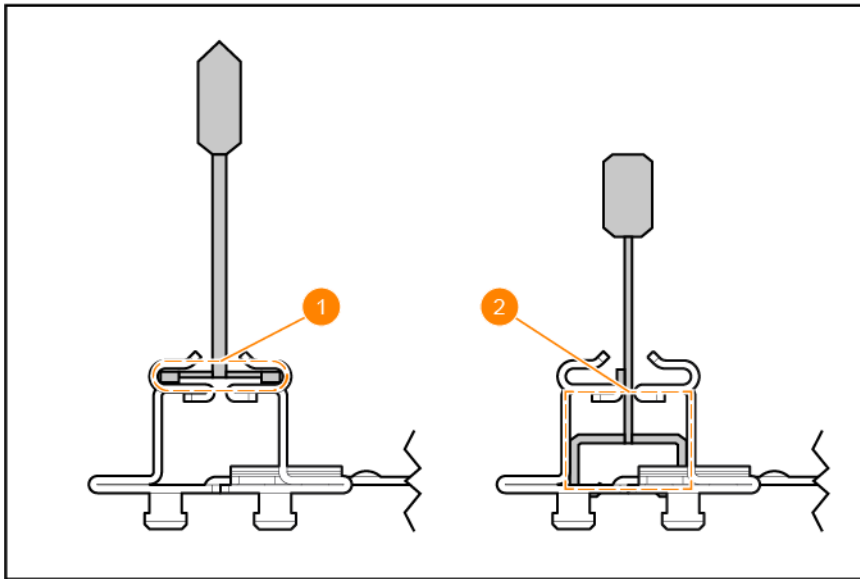
3. Slide the right side towards the rail until it clamp to the rail. Make sure the suspended ceiling rail clip width number (9/16, 15/16 or 1-1/2) corresponding to the rail width.

Figure 5 *Suspended Ceiling Rail Clip Mounted on Rail*



The suspended ceiling rail clip provides two mounting methods for different ceiling rail types as shown in [Figure 6](#)

Figure 6 Two Mounting Methods for Different Rail Types

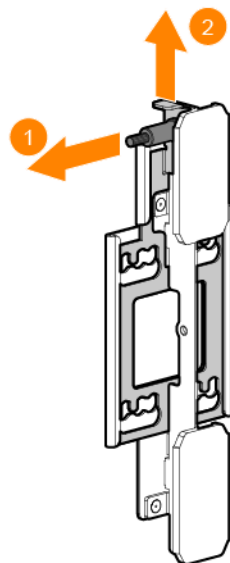


1	Mounting method 1
2	Mounting method 2

Installing Base Bracket

- On the base bracket, pull the push-pin out and then pull the latch bar outward until the latch bar is locked into place.

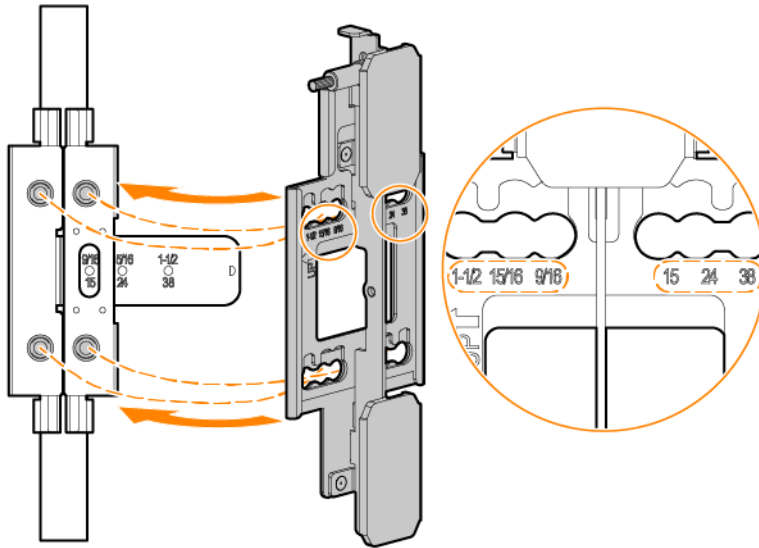
Figure 7 Preparing Base Bracket



1	Push-pin
2	Latch bar

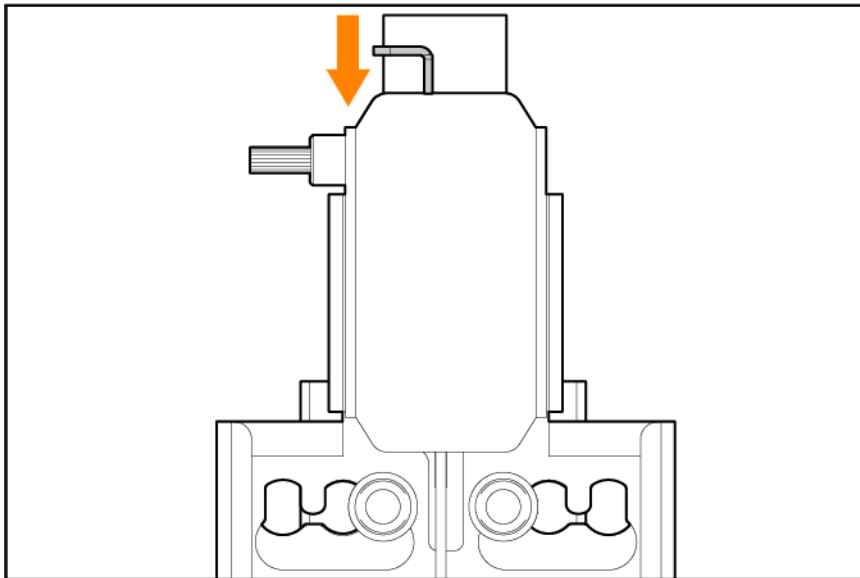
- Attach the base bracket to the suspended ceiling rail clip, making sure the four holders on the suspended ceiling rail clip insert into the mounting slots on the base bracket.

Figure 8 Attaching Base Bracket to Suspended Ceiling Rail Clip



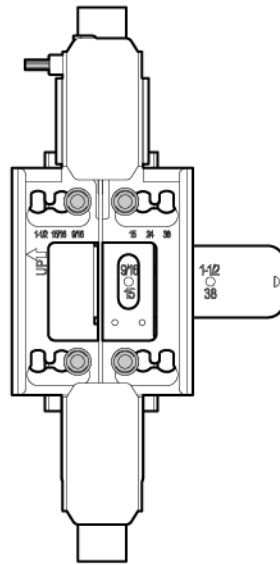
6. Pull the latch bar inward, so the push-pin retracts, and the mounting slots on base bracket clamp to the holders on the suspended ceiling rail clip.

Figure 9 Pulling Latch Bar Inward



7. Check the base bracket, making sure that the base bracket is attached firmly to the suspended ceiling rail clip. If it looses, repeat the steps above to reinstall it.

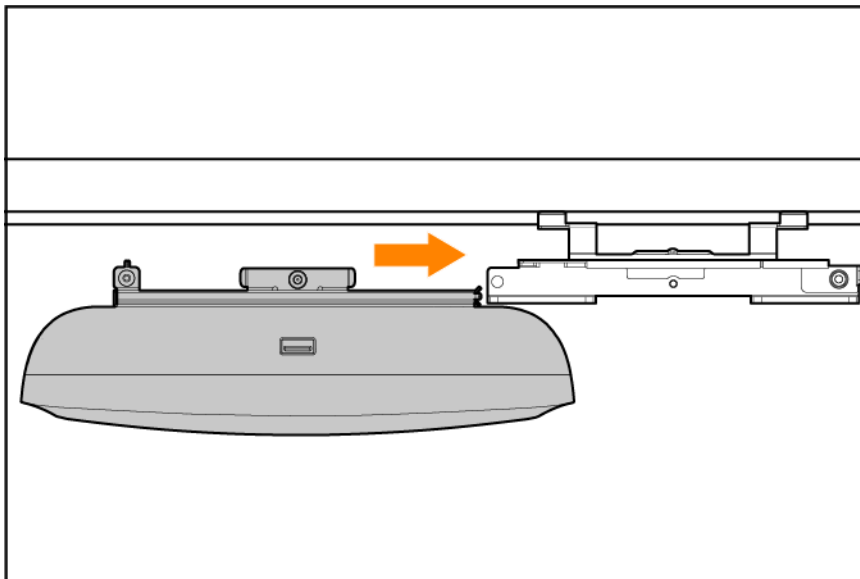
Figure 10 *Base Bracket Attached to Suspended Ceiling Rail Clip*



Installing AP to Base Bracket

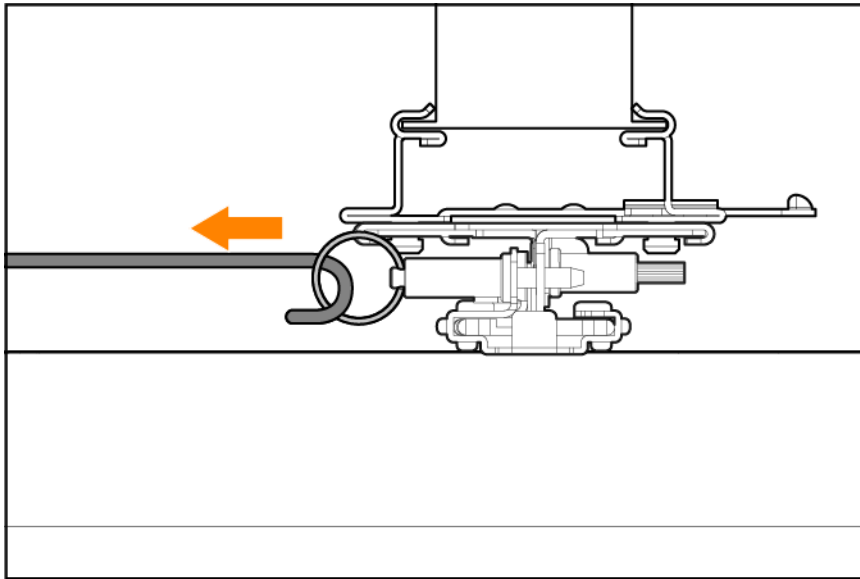
8. Slide the back-brace of the AP onto the base bracket.

Figure 11 *Sliding AP Back-brace onto Base Bracket*



9. Use the hook tool provided to pull the lock ring on the back brace.

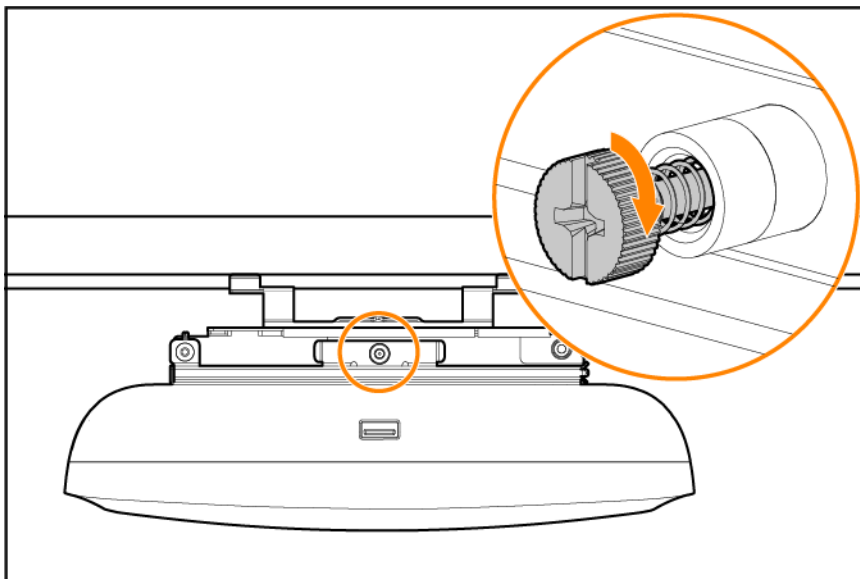
Figure 12 *Using Hook Tool to Pull Lock Ring*



10. Slide the back-brace fully into place and release the lock ring.

11. Use a #1 Phillips screwdriver to secure the captive screw on the back-brace of the AP.

Figure 13 *Tightening Captive Screw*



12. Check the AP by hand, making sure it is attached firmly to the base bracket. If it loosens, repeat the steps above to reinstall it.

Mounting the AP on a Wall or a Solid Surface

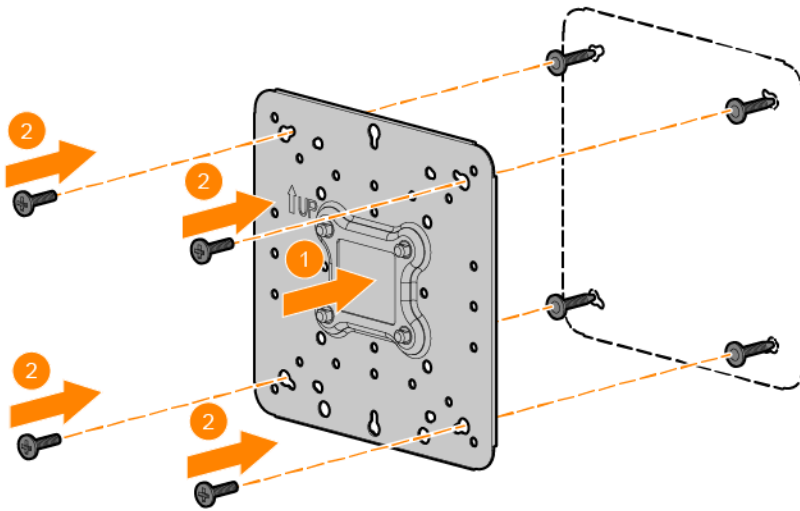
There are two methods to mount the AP on a wall or a solid surface:

- Using wall and wall-box plate and base bracket
- Using base bracket only

Using Wall and Wall-box Plate and Base Bracket

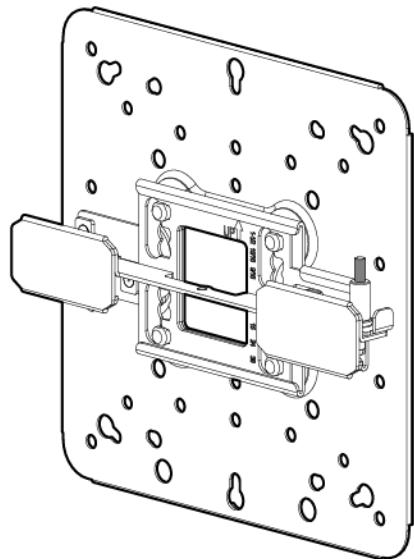
1. Hold the wall and wall-box plate against the wall, making sure the arrows on the wall and wall-box plate are pointing up.
2. Use the wall and wall-box plate as a template to mark four mounting hole positions on the wall.
3. Drill holes at the four marked positions and install the wall anchors as per the installation instructions provided with the wall anchors.
4. Align the screw holes on the wall and wall-box plate with the corresponding wall anchors.
5. Use a Philips screwdriver to fasten the screws into the wall anchors to secure the wall and wall-box plate on the wall.

Figure 14 *Securing Wall and Wall-box Plate on a Wall*



6. Refer to [Installing Base Bracket on page 4](#) to attach the base bracket to the wall and wall-box plate.

Figure 15 *Base Bracket Attached to Wall and Wall-box Plate*

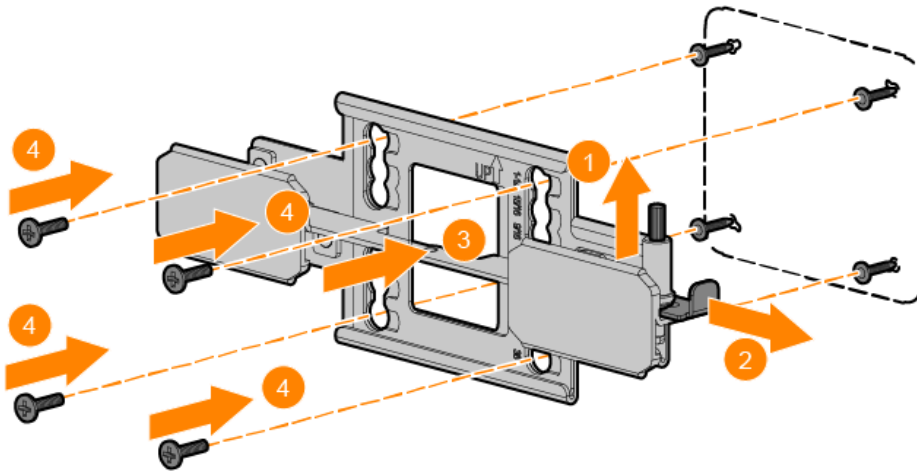


7. Refer to [Installing AP to Base Bracket on page 6](#) to complete the AP installation.

Using Base Bracket Only

1. On the base bracket, pull the push-pin out and then pull the latch bar outward until the latch bar is locked into place.
2. Hold the base bracket against the wall, making sure the arrows on the base bracket are pointing up.
3. Use the base bracket as a template to mark four mounting hole positions on the wall.
4. Drill holes at the four marked positions and install the wall anchors as per the installation instructions provided with the wall anchors.
5. Align the screw holes on the base bracket with the corresponding wall anchors.
6. Use a Philips screwdriver to fasten the screws (6-32 sunk Phillips head screws are recommended) into the wall anchors to secure the base bracket on the wall.

Figure 16 *Securing Base Bracket on a Wall*

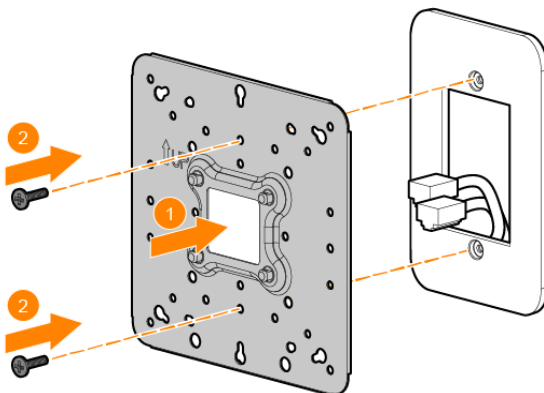


7. Refer to [Installing AP to Base Bracket on page 6](#) to complete the AP installation.

Mounting the AP on a Wall Box

1. Place the wall and wall-box plate on the wall-box, making sure that the relevant holes are aligned and the arrows on the wall and wall-box plate are pointing up.

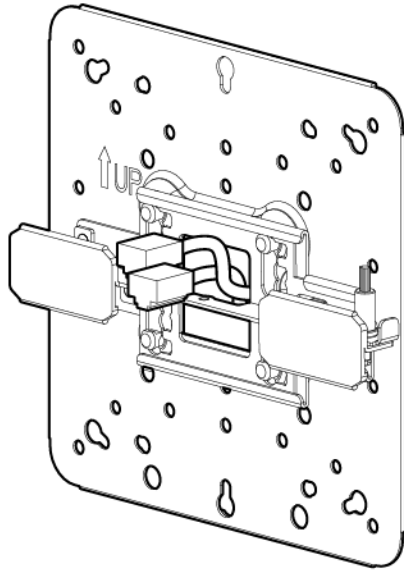
Figure 17 *Aligning Wall and Wall-box Plate Mounting Holes with Wall Box Holes*



2. Screw the wall and wall-box plate to the wall-box.

3. Refer to [Installing Base Bracket on page 4](#) to attach the base bracket to the wall and wall-box plate.
4. After the base bracket is attached to the wall and wall-box plate, route the Ethernet cable through the cable access opening as shown in [Figure 18](#). Connect the Ethernet cable to the required Ethernet port on the AP.

Figure 18 *Routing Ethernet Cable*



5. Refer to [Installing AP to Base Bracket on page 6](#) to complete the AP installation.