

Fellowes

Let your
productivity flow



Eppa™

Dual Crossbar Monitor Arm

Dual Crossbar Monitor Arm

Features:

- Enjoy seamless fluidity and effortless motion
- Finger touch gas-spring adjustment helping you to reduce eye, neck and back strain and work in comfort
- Cross bar design ensures ergonomic positioning in even the smallest of workspaces
- Independently tested to meet ergonomic requirements outlined in European Health and Safety Legislation: EN ISO 9241-5
- Optional handle makes collaborating with colleagues easy
- Increase your productivity with dual screen working - holds two screens between 1 - 8kg and 32" each
- Made from 68% recycled materials and 69% recyclable



Specification:

Code	9909301	9909401	9909201
Colour	Black: RAL 9017	White: RAL 9016	Silver: RAL 9023
Product Dimensions (H x W x D)	830 X 726 X 760 mm		
Product Weight	6.77 kg		
Outer Carton Dimensions (H x W x D)	880 x 160 x 230 mm		
Outer Carton Weight	8.38 kg		
Dynamic Height Adjustability	350 mm		
Height Adjustment Range	251 – 601 mm		
Reach Range	103 – 629 mm		
Rotation	+/- 90° (180°)		
Pan	+/- 10° (20°)		
Tilt	+/- 10° (20°)		
Arm Swivel	360° (180° lockout)		
Tension Adjustment	Yes		
VESA	75 x 75 / 100 x 100		
Clamp: Desk Thickness	10 – 85 mm		
Grommet: Desk Thickness	10 – 85 mm		
Grommet: Diameter	10 – 48 mm		
Weight Capacity (kg)	1 – 8 kg per screen (2 – 16 kg total)		
Maximum Monitor Size	32" (81.28 cm) diagonally / 76.2 (W) x 120.1 (H) cm		
Retail Barcode (UPC)	043859781683	043859781690	043859781676
Outer Carton Barcode (SCS)	50043859781688	50043859781695	50043859781671
Quantity per Outer Carton	1		
Country of Origin	China		
Warranty	5 years limited		

Environmental:

Product	Product Material Breakdown		Product Recycled Content		
	Weight (g)	Weight (%)	Pre-Consumer Recycled Content (g)	Post Consumer Recycled Content (g)	Total Recycled Content (%)
Aluminium	2974.39	43.9%	-	2974.39	100.0%
Steel	3418.37	50.5%	-	1682.80	49.2%
Plastic	159.24	2.4%	-	-	-
Other	220.00	3.2%	-	-	-
Total	6772.00	100%	-	4657.19	68.8%

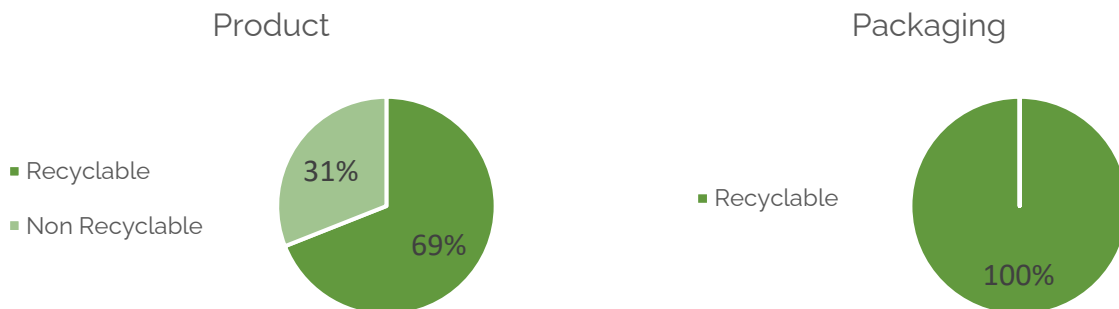
Packaging	Product Material Breakdown		Product Recycled Content		
	Weight (g)	Weight (%)	Pre-Consumer Recycled Content (g)	Post Consumer Recycled Content (g)	Total Recycled Content (%)
Paper / Card / Corrugated	1573.25	97.6%	-	468.38	29.8%
LDPE (4) plastic bag	39.13	2.4%	-	-	-
Total	1612.38	100%	-	468.38	29.0%

Pre-Consumer Recycled Content: Waste material that was created during the process of manufacturing or delivering goods prior to their delivery to consumers.

Post-Consumer Recycled Content: Waste material created by consumers. This material is diverted from landfills and utilized in the production of other commodities.

Recyclability:

Percentage of the product and packaging that can be easily separated for recycling.



Ergonomic Working:



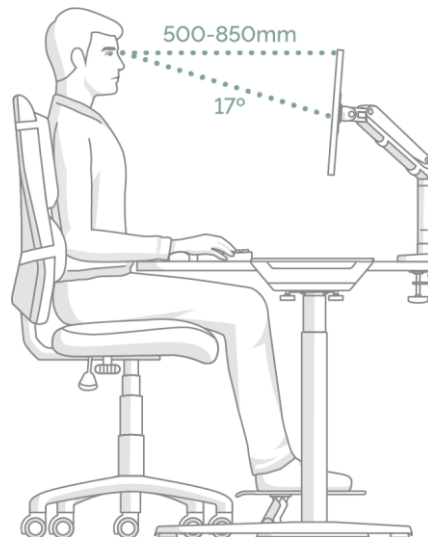
ZONE 3

RELIEVE NECK STRAIN

Achieve comfortable viewing.
Ensure your eyes are in line with
the top of your screen.

How to use a monitor arm

- 1. Arms Reach:** Whether sitting or standing check that your monitor is positioned so you can touch the screen with your fingertips and that you can easily read what is on your screen without straining.
- 2. Eye level:** Adjust the monitor arm until the top of your monitor/s are roughly level with your eyes.
- 3. Tilt:** Tilting the screen slightly upwards can help achieve a more neutral posture and reduce glare.
- 4. Multiple screens:** If you're using more than one monitor make sure:
 - The tops of each screen are level and positioned side by side;
 - You sit in the middle or in front of your main screen to reduce twisting and turning.



Certifications:

EN ISO 9241-5 1999 Ergonomic requirements for office work with visual display terminals (VDT's): part 5: 1999, workstation layout and postural requirements.

ANSI / BIFMA x5.5 – 2014 Desk/Table Products. Clause 22, 23, 24.



CAD Files:

.dwg CAD files available to download from pCon Catalog

OFML data available on all pCon platforms



Aftercare:

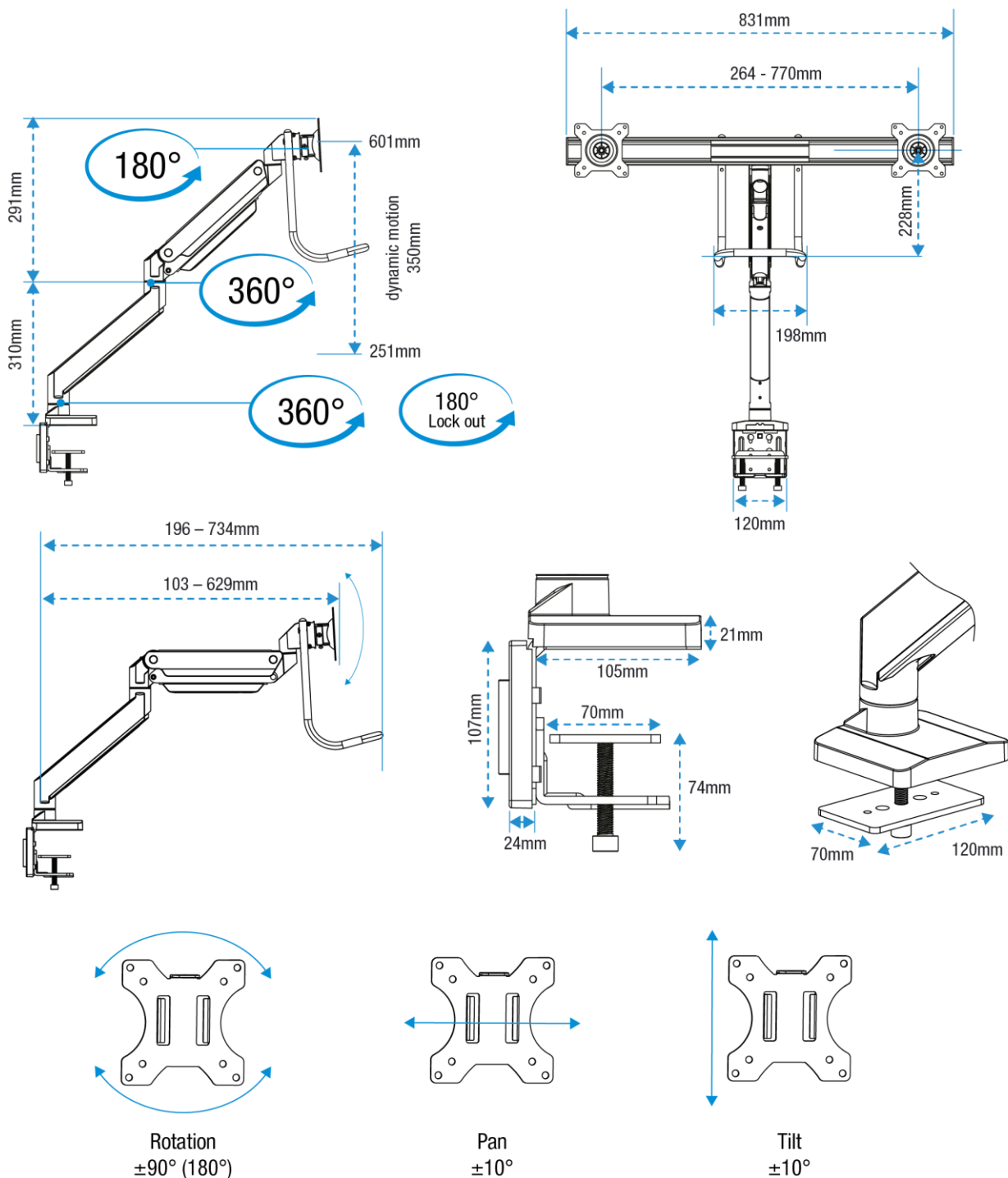
Servicing: Check joint parts regularly to make sure the screws have not loosened.

Spare Parts: Available. Contact CS-UK@Fellowes.com or telephone 00800 18101810.

Cleaning: Wipe over with a damp microfibre cloth. Do not use any cleaning solutions.

Handling & Storage: Read and follow all instructions and warnings before use. This product is intended for indoor use only.

Dimensional Drawings:



Every effort has been made to ensure that information provided in this document is up to date and accurate. However, Fellowes cannot guarantee and assumes no legal liability or responsibility for the accuracy or completeness of the information provide. In case of any query please contact us as www.Fellowes.com/locations.