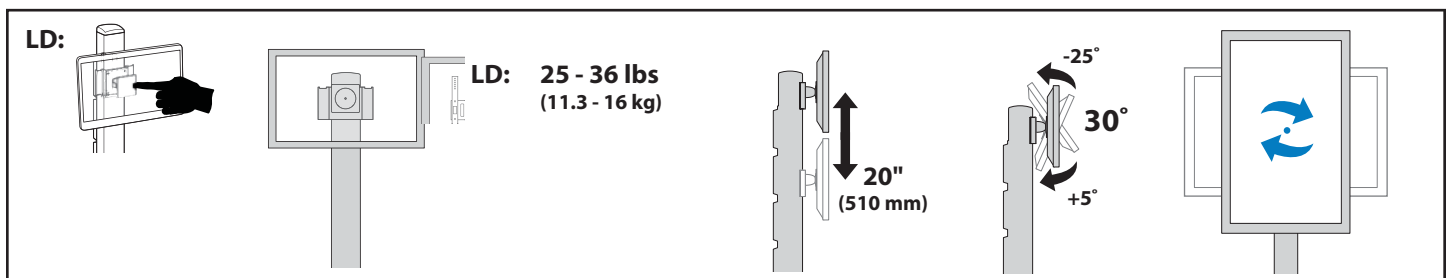
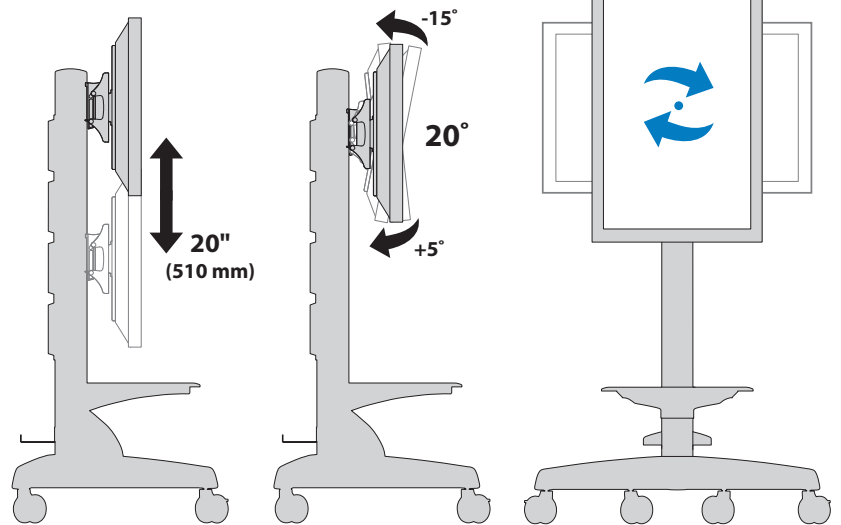
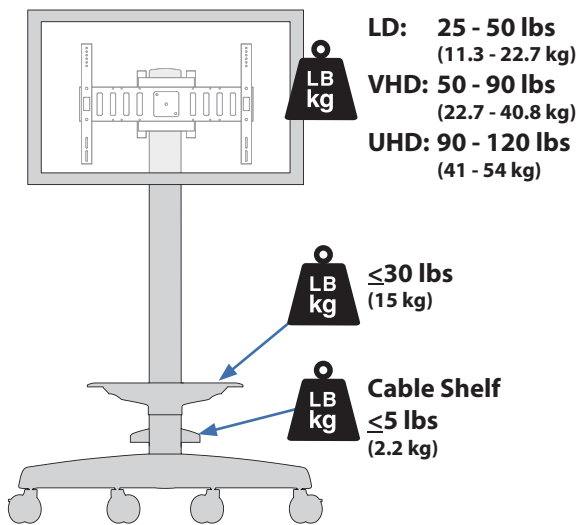
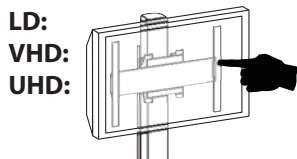
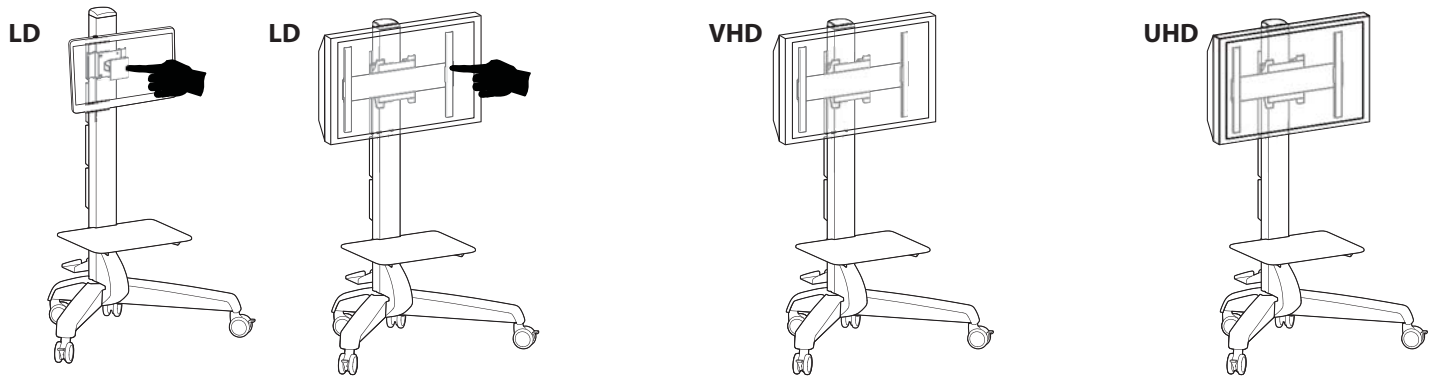


Mobile MediaCenter LD, VHD, UHD



© 2013 Ergotron, Inc. rev. 01/22/2013 DIM-NFMMC Content is subject to change without notification

Americas Sales and Corporate Headquarters

St. Paul, MN USA
(800) 888-8458
+1-651-681-7600
www.ergotron.com
sales@ergotron.com

EMEA Sales

Amersfoort, The Netherlands
+31 33 45 45 600
www.ergotron.com
info.eu@ergotron.com

APAC Sales

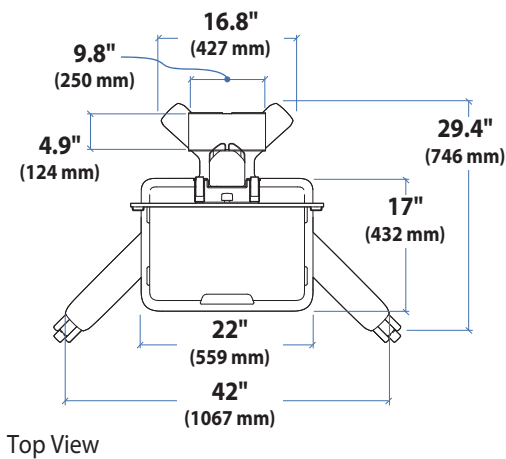
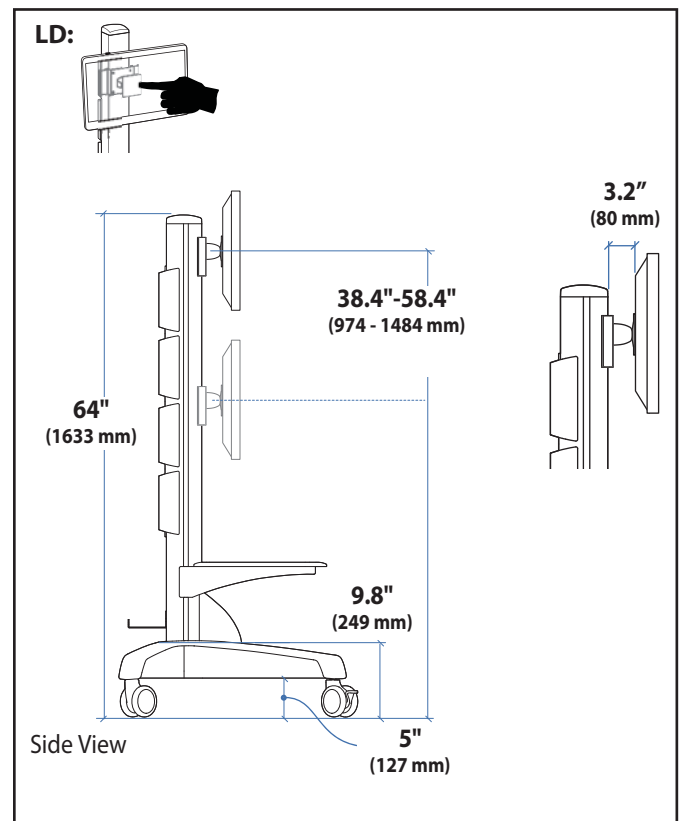
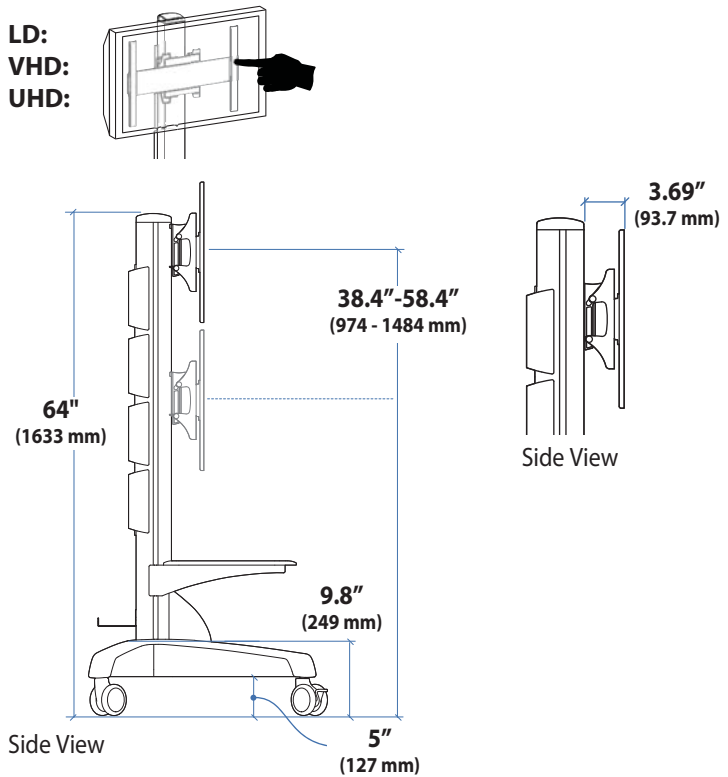
Tokyo, Japan
www.ergotron.com
apaccustomerservice@ergotron.com

Worldwide OEM Sales

www.ergotron.com
info.oem@ergotron.com



Mobile MediaCenter LD, VHD, UHD



© 2013 Ergotron, Inc. rev. 01/22/2013 DIM-NFMMC Content is subject to change without notification

Americas Sales and Corporate Headquarters

St. Paul, MN USA
(800) 888-8458
+1-651-681-7600
www.ergotron.com
sales@ergotron.com

EMEA Sales

Amersfoort, The Netherlands
+31 33 45 45 600
www.ergotron.com
info.eu@ergotron.com

APAC Sales

Tokyo, Japan
www.ergotron.com
apaccustomerservice@ergotron.com

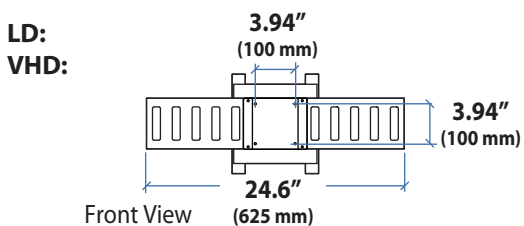
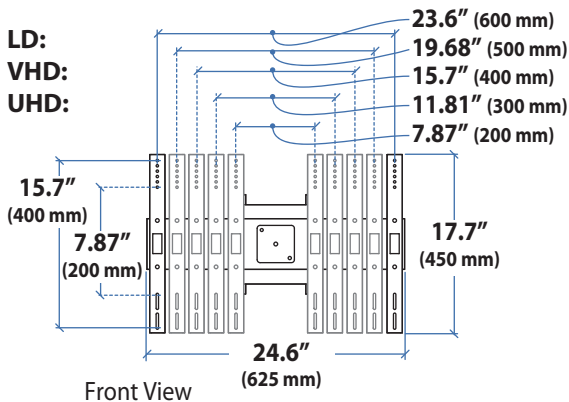
Worldwide OEM Sales

www.ergotron.com
info.oem@ergotron.com



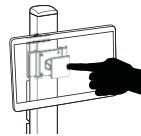
Mobile MediaCenter LD, VHD, UHD

Display Mounting



Mounting Hole Patterns = Width x Height in mm

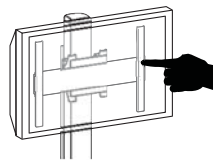
LD Version: 27"-40" displays; mounting hole patterns 75 x 75, 100 x 100, 200 x 100, 100 x 200, 200 x 200



LD Version: 27"-40" displays;

Mounting hole patterns:

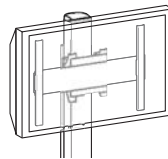
100 x 100, 200 x 200, 200 x 300, 300 x 200, 300 x 300, 200 x 400, 400 x 200, 300 x 400, 400 x 300, 400 x 400, 500 x 200, 500 x 300, 500 x 400, 200 x 500, 300 x 500, 400 x 500, 600 x 200, 600 x 300, 600 x 400, 200 x 600, 300 x 600, 400 x 600



VHD Version: 37"-55" displays;

Mounting hole patterns:

100 x 100, 200 x 200, 200 x 300, 300 x 200, 300 x 300, 200 x 400, 400 x 200, 300 x 400, 400 x 300, 400 x 400, 500 x 200, 500 x 300, 500 x 400, 200 x 500, 300 x 500, 400 x 500, 600 x 200, 600 x 300, 600 x 400, 200 x 600, 300 x 600, 400 x 600

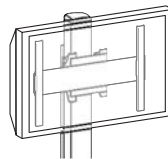


Optional patterns: 660 x 200, 660 x 300, 660 x 400, 800 x 200, 800 x 300, 800 x 400 with 660/800 mm Expansion Kit, ordered separately

UHD Version: 50"-65" displays;

Mounting hole patterns:

200 x 200, 200 x 300, 300 x 200, 300 x 300, 200 x 400, 400 x 200, 300 x 400, 400 x 300, 400 x 400, 500 x 200, 500 x 300, 500 x 400, 200 x 500, 300 x 500, 400 x 500, 600 x 200, 600 x 300, 600 x 400, 200 x 600, 300 x 600, 400 x 600



Optional patterns: 660 x 200, 660 x 300, 660 x 400, 800 x 200, 800 x 300, 800 x 400 with 660/800 mm Expansion Kit, ordered separately