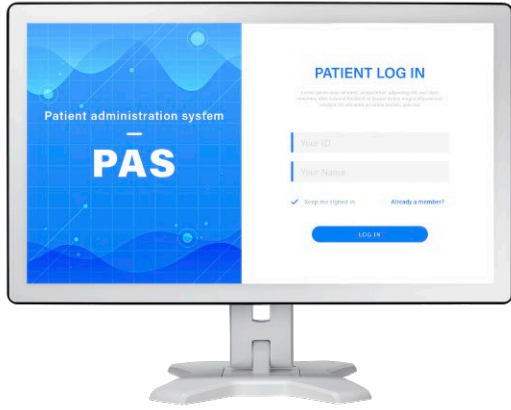


# TX-2401 WHITE TOUCH SCREEN MONITOR

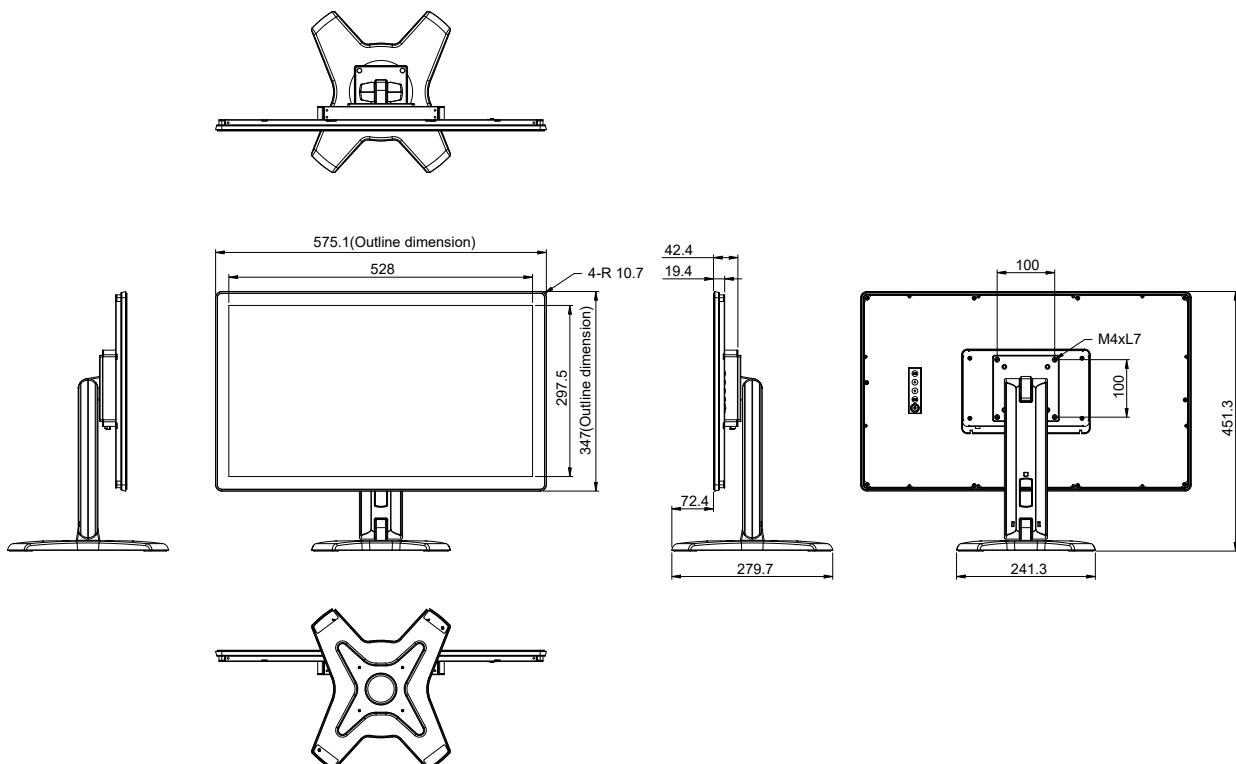


## FEATURES

- FHD 1920 x 1080 resolution
- PCAP touch technology with 10-point multi-touch capability
- 178°/178° wide viewing angles offer consistent colour performance
- Front-sided IP65 rating protects the screen from liquid and dust
- IK08 impact-resistant touch screen allows vandal-proof in public
- White exterior design for easy contaminant detection
- Medical adapter certified to the IEC/EN 60601-1 medical design
- Metal housing design
- Plastic resin bezels ensure seamless integration and protect from dust invasion
- Designed and developed for continuous 24/7 operation
- VESA mounting standard and optional side mounting brackets allow flexible installation in healthcare settings
- Monitor stand with built-in cable management for keeping cables organised

The TX-2401 White touch screen monitor adopts PCAP touch technology that is relatively unaffected by surface contaminants and allows 10-point multi-touch capabilities, offering an accurate and responsive touch experience. It is even responsive to latex gloves. Featuring a medical-grade power supply and versatile connectivity (e.g., DisplayPort, HDMI, and VGA inputs), the TX-2401 White is built for flexible use, such as patient check-in, patient queue management, medical research laboratories, or medical computer carts. The monitor is complemented by front IP65 and IK08 ratings, white metal casing, and an edge-to-edge 7H tempered glass overlay, ensuring durability and easy cleaning for continuous operation in healthcare environments.

## TECHNICAL DRAWING



## SPECIFICATIONS

### Panel

Panel Type	LED-Backlit TFT LCD (VA Technology)
Panel Size	23.8
Max. Resolution	FHD 1920 x 1080
Pixel Pitch	0.274 mm
Brightness	250 cd/m <sup>2</sup>
Contrast Ratio	3000:1
Viewing Angle (H/V)	178°/178°
Display Colour	16.7M
Response Time	5 ms
Surface Treatment	Seriesantl-Glare Treatment (Haze 40%),3H Hard Coating

### Frequency

Frequency (H)	30 kHz-84 kHz
Frequency (V)	56 Hz-76 Hz

### Signal Input

DisplayPort	1.2a x 1
HDMI	1.3 x 1
VGA	15-Pin D-Sub x 1

### Audio

Audio Out	Stereo Audio Jack (3.5 mm)
-----------	----------------------------

### Touch Screen

Technology	Projective Capacitive
Positional Accuracy	±2.5 mm
Panel Interface	USB (Type-B) / Service Port
Multi-touch Plug & Play	10-point touch for Windows® 7 · 8 · 10
Single Touch Support by Driver	Windows VISTA/XP/2000/CE/XP Embedded · Mac OS 10.10-10.14
Multi-touch Support by Driver	Linux 2.6.36 later/3.x.x/4.x.x/5.x.x · Android 2.3 upwards

### Power

Power Requirements	DC 12V, 2.5A
On Mode	17 W (On)
Standby Mode	< 0.4W
Off Mode	< 0.2W
Power Supply	External

### Glass

Thickness	3.3 mm (0.13")
Transmission Rate	≥85%
Hardness	≥7H

### Operating Conditions

Temperature	0°C-40°C (32°F-104°F)
Humidity	20%-80% (non-condensing)

### Storage Conditions

Temperature	-20°C-60°C (-4°F-140°F)
Humidity	10%-90% (non-condensing)

### Mounting

VESA FPMPMI	Yes (100 x 100 mm)
-------------	--------------------

### Dimensions

Product with Base (W x H x D)	575.1 x 451.3 x 279.7 mm (22.6" x 17.8" x 11.0")
Product w/o Base (W x H x D)	575.1 x 347.0 x 42.4 mm (22.6" x 13.7" x 1.7")
Packaging (W x H x D)	370.0 x 530.0 x 660.0 mm (14.6" x 20.9" x 26.0")

### Weight

Product w/o Base	5.7 kg (12.6 lb)
Product with Base	7.8 kg (17.2 lb)
Packaging	11.4 kg (25.1 lb)

### Regulation Approval

Certifications & Compliance	CE, LVD, WEEE, RoHS, REACH, EAC, UKCA
Power Adaptor Certifications	ADAPTER/ATM065T-P120: CE, FCC, PSE, WEEE, BSMI, Medical Grade

### Accessories

Supplied	Power Adaptor, Power Cord, VGA Cable, HDMI Cable, USB Cable, Quick Start Guide, Warranty Card
----------	---

### Optional Accessories

Wall Mount (Landscape only)	WMK-01, WMK-03, PMK-01
-----------------------------	------------------------

