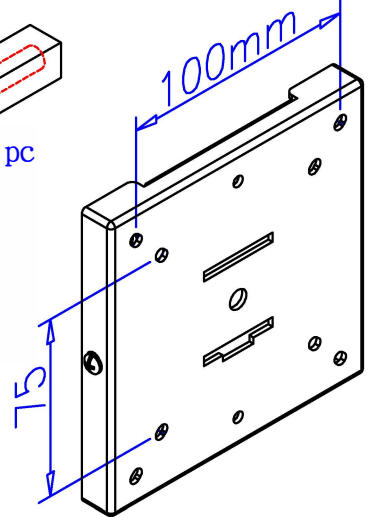


B. 4 pcs

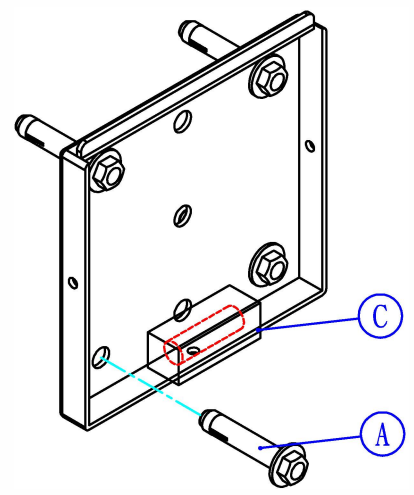
C. 1 pc

A. 4 pcs  
NOT suitable for  
perforated or  
hollow bricks.

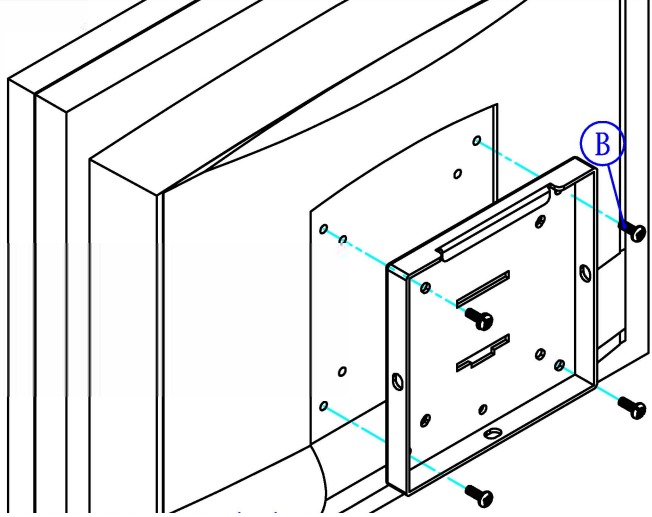


Max Load: 20 Kgs

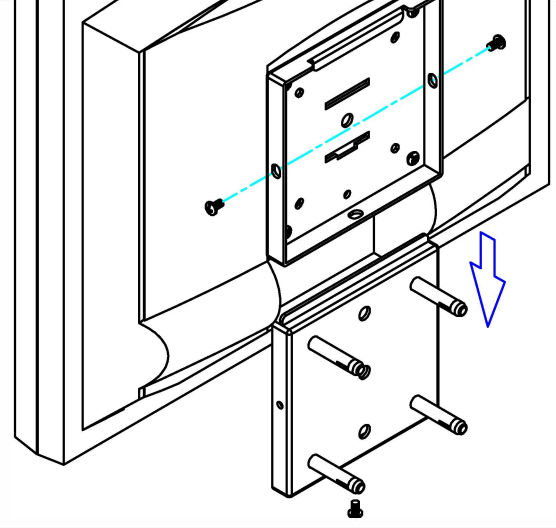
1.



2.



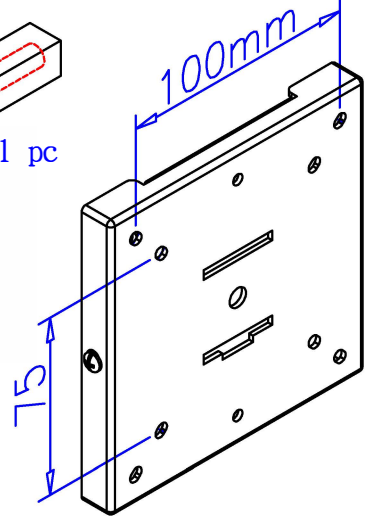
3.



B. 4 pcs

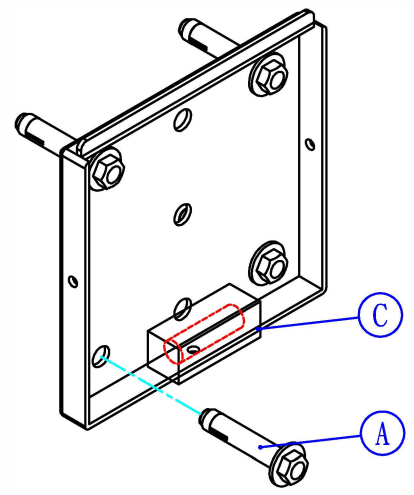
C. 1 pc

A. 4 pcs  
NOT suitable for  
perforated or  
hollow bricks.

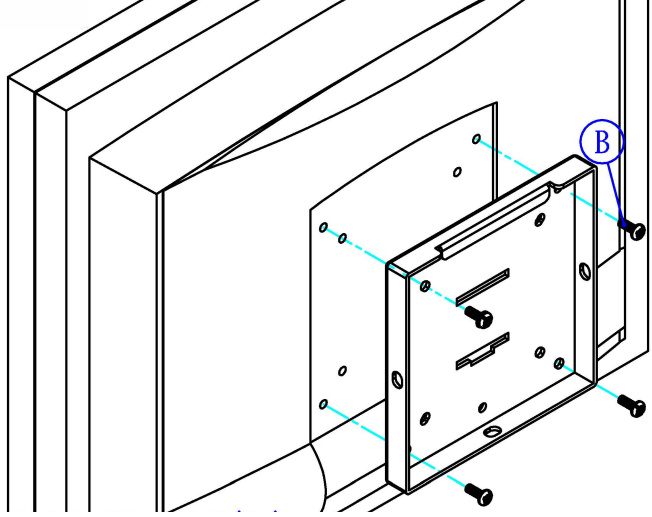


Max Load: 20 Kgs

1.



2.



3.

