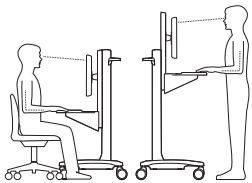
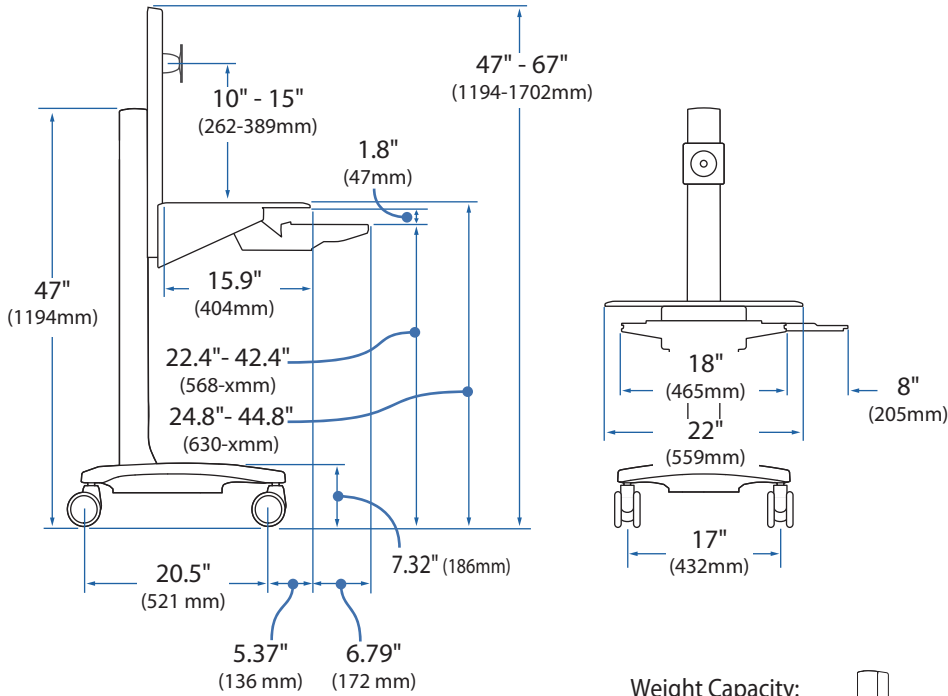
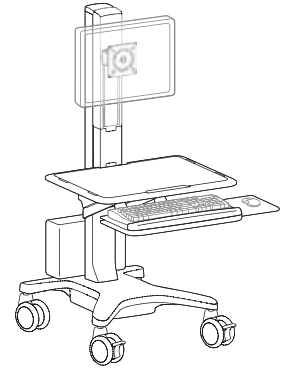
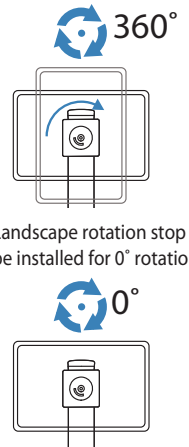
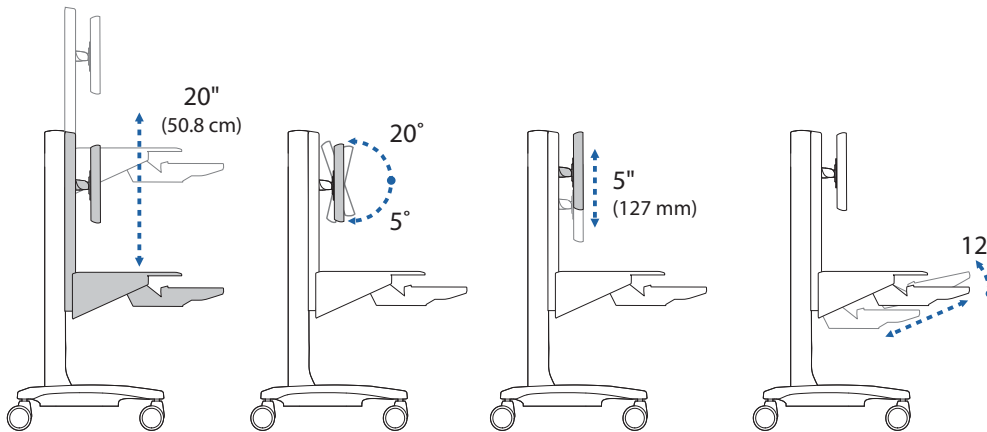
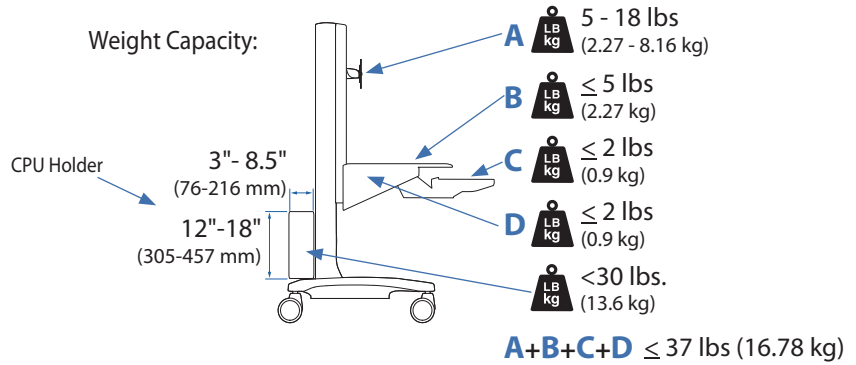


WorkFit-C Single LCD Mount, LD

Dimensional & Range of Motion Illustrations



Weight Capacity:



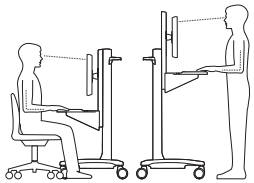
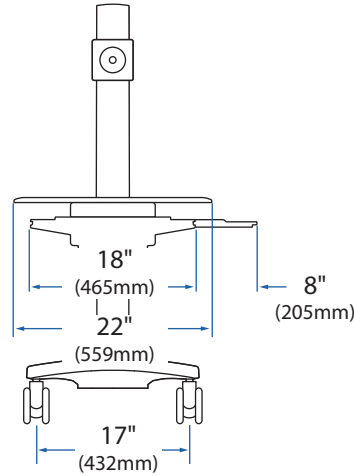
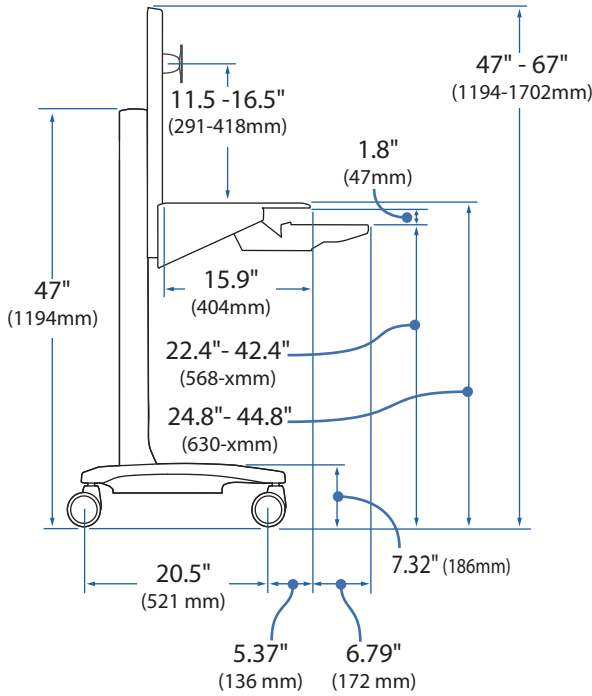
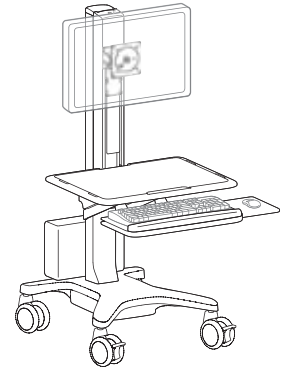
© 2009 Ergotron, Inc. rev. 08/10/2009 DIM-WorkFit C-Mod Content is subject to change without notification

Americas Sales and Corporate Headquarters	EMEA Sales	APAC Sale	Worldwide OEM Sales
St. Paul, MN USA (800) 888-8458 +1-651-681-7600 www.ergotron.com sales@ergotron.com	Amersfoort, The Netherlands +31 33 45 45 600 www.ergotron.com info.eu@ergotron.com	Tokyo, Japan www.ergotron.com apaccustomerservice@ergotron.com	www.ergotron.com info.oem@ergotron.com

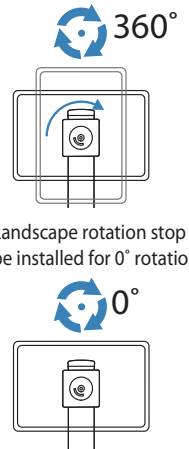
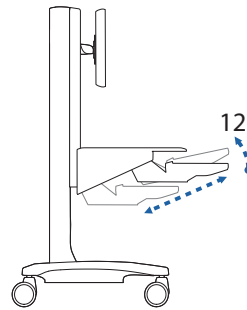
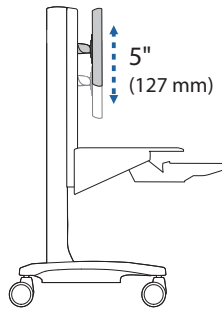
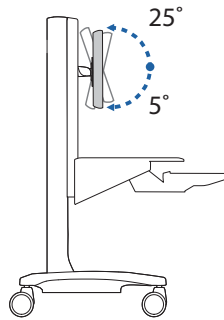
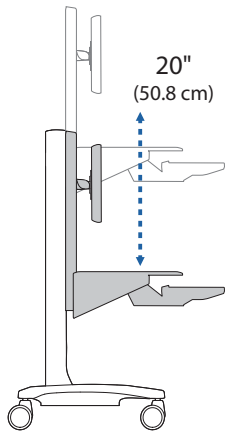
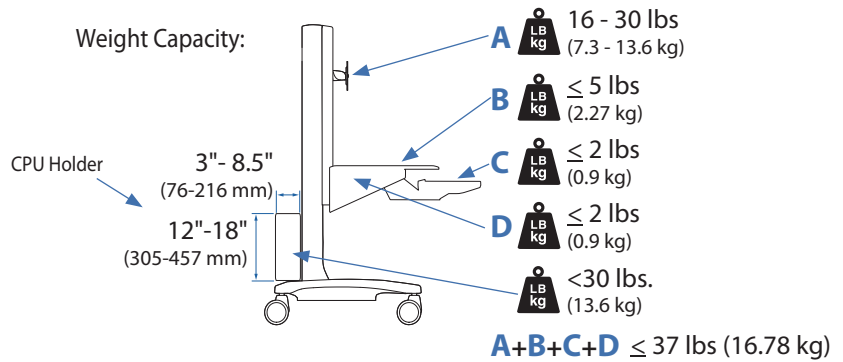


WorkFit-C Single LCD Mount, HD

Dimensional & Range of Motion Illustrations



Weight Capacity:



© 2009 Ergotron, Inc. rev. 08/10/2009 DIM-WorkFit C-Mod Content is subject to change without notification

Americas Sales and Corporate Headquarters
 St. Paul, MN USA
 (800) 888-8458
 +1-651-681-7600
 www.ergotron.com
 sales@ergotron.com

EMEA Sales
 Amerfoort, The Netherlands
 +31 33 45 45 600
 www.ergotron.com
 info.eu@ergotron.com

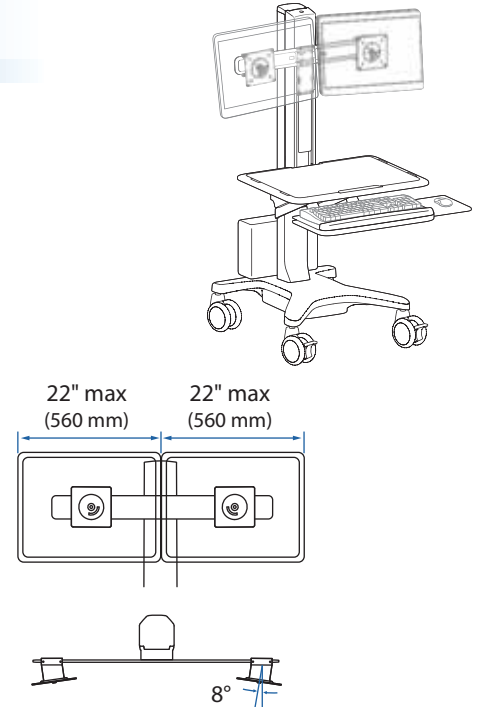
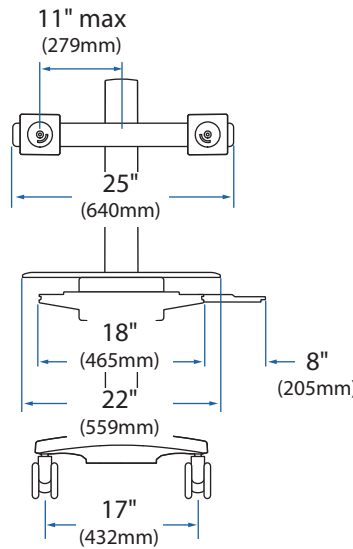
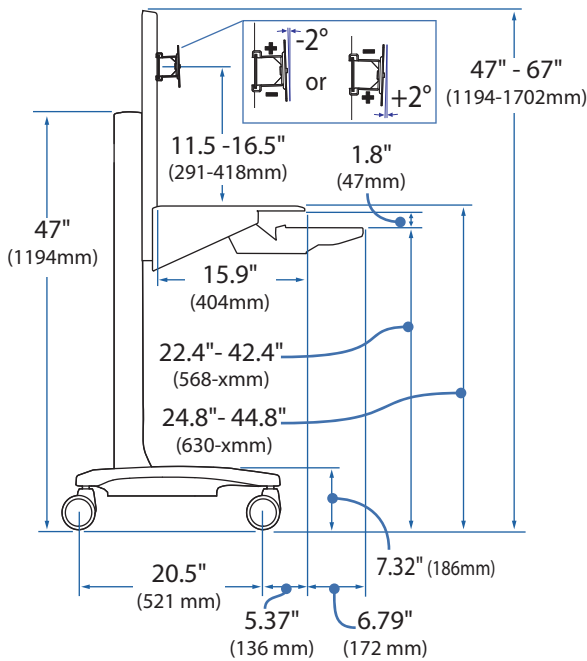
APAC Sale
 Tokyo, Japan
 www.ergotron.com
 apaccustomerservice@ergotron.com

Worldwide OEM Sales
 www.ergotron.com
 info.oem@ergotron.com

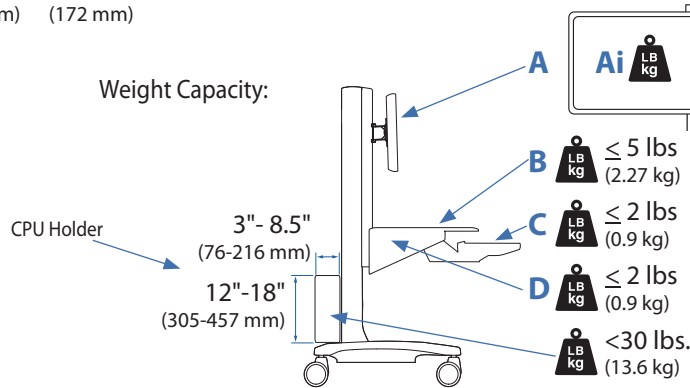


WorkFit-C Dual

Dimensional & Range of Motion Illustrations

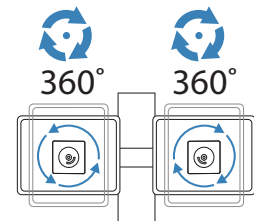
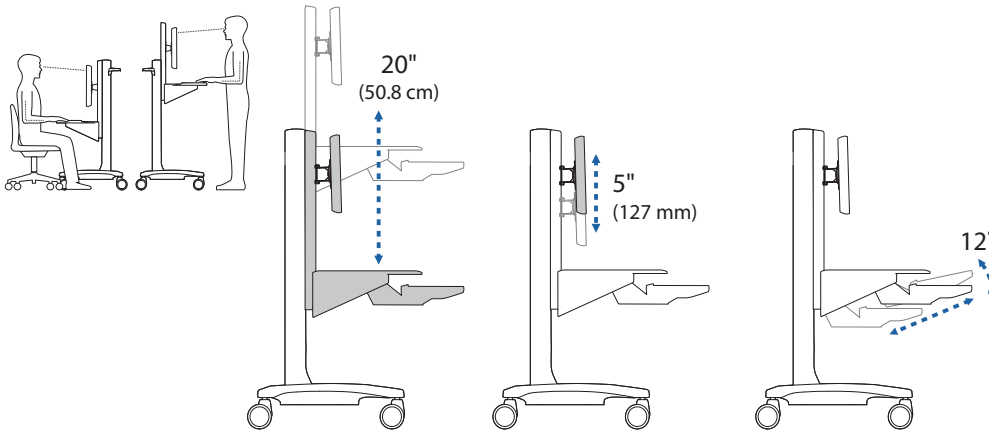


Weight Capacity:

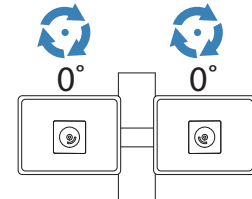


Ai: 6-14 lbs (2.72-6.35 kg)*
Aii: 6-14 lbs (2.72-6.35 kg)*
 * **Ai+Aii** ≤ 28 lbs (12.7 kg)
Ai=Aii ± 1 lbs (.45 kg)

A+B+C+D ≤ 37 lbs (16.78 kg)



Portrait/Landscape rotation stop screw can be installed for 0° rotation.



© 2009 Ergotron, Inc. rev. 08/10/2009 DIM-WorkFit C-Mod Content is subject to change without notification

Americas Sales and Corporate Headquarters
 St. Paul, MN USA
 (800) 888-8458
 +1-651-681-7600
 www.ergotron.com
 sales@ergotron.com

EMEA Sales
 Amersfoort, The Netherlands
 +31 33 45 45 600
 www.ergotron.com
 info.eu@ergotron.com

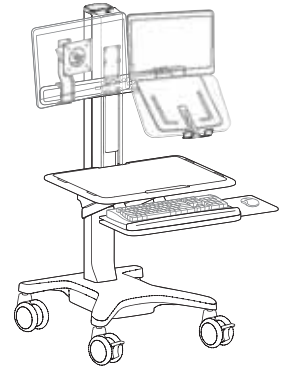
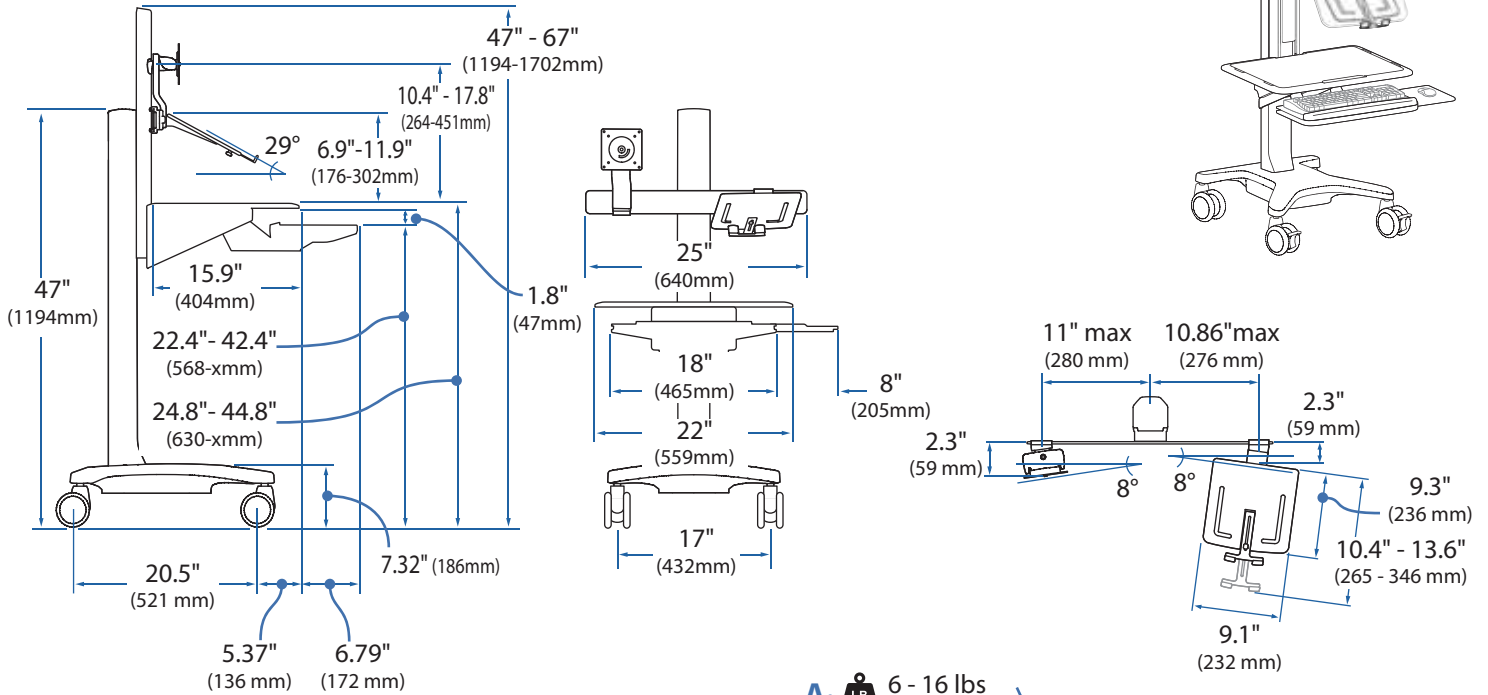
APAC Sale
 Tokyo, Japan
 www.ergotron.com
 apaccustomerservice@ergotron.com

Worldwide OEM Sales
 www.ergotron.com
 info.oem@ergotron.com

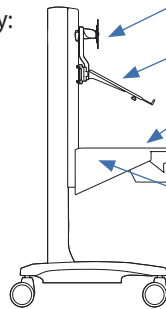
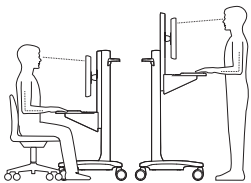


WorkFit-C LCD & Laptop

Dimensional & Range of Motion Illustrations

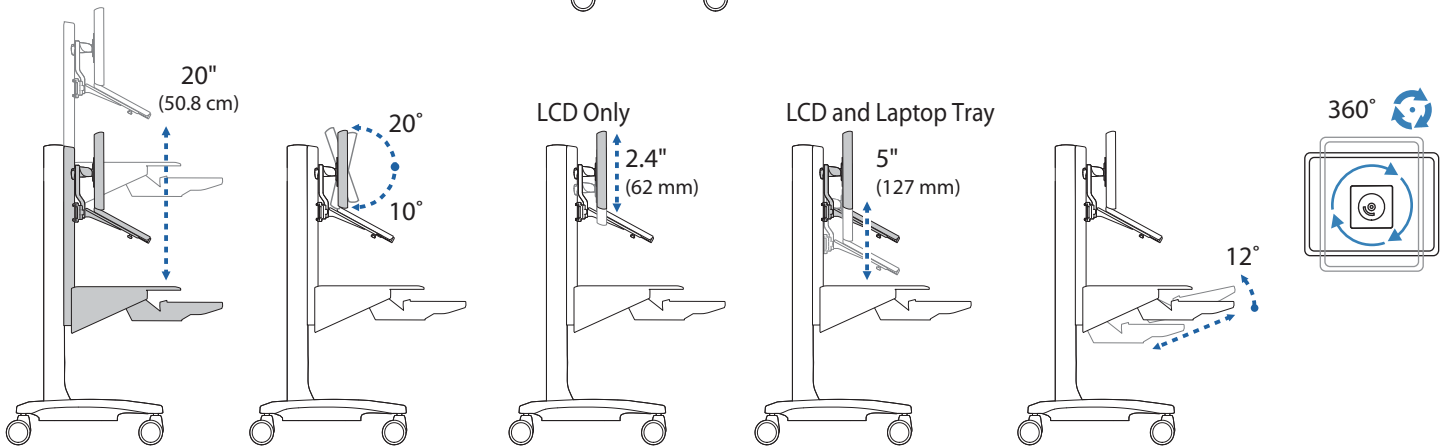


Weight Capacity:



- A₁** 6 - 16 lbs (2.7 - 7.2 kg)
- A₂** 6 - 10 lbs (2.7 - 4.5 kg)
- B** ≤ 5 lbs (2.27 kg)
- C** ≤ 2 lbs (0.9 kg)
- D** ≤ 2 lbs (0.9 kg)

$$A+B+C+D \leq 37 \text{ lbs (16.78 kg)}$$



© 2009 Ergotron, Inc. rev. 08/10/2009 DIM-WorkFit C-Mod Content is subject to change without notification

Americas Sales and Corporate Headquarters	EMEA Sales	APAC Sale	Worldwide OEM Sales
St. Paul, MN USA (800) 888-8458 +1-651-681-7600 www.ergotron.com sales@ergotron.com	Amersfoort, The Netherlands +31 33 45 45 600 www.ergotron.com info.eu@ergotron.com	Tokyo, Japan www.ergotron.com apaccustomerservice@ergotron.com	www.ergotron.com info.oem@ergotron.com

