

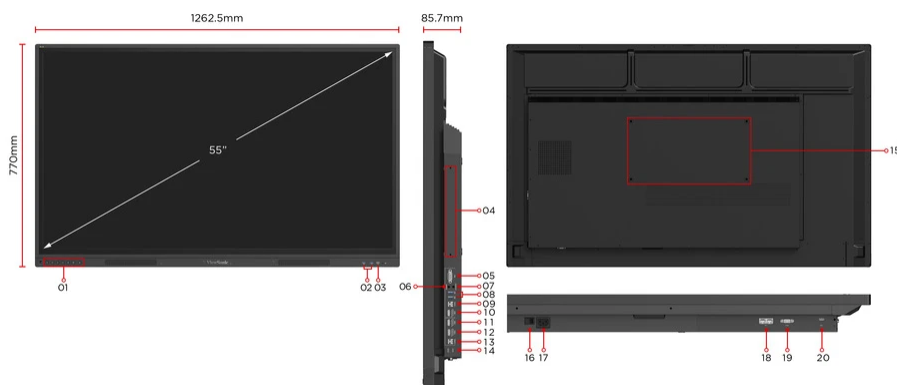
## Key Features

- Bring Your Own OS  
interactive flat panel for versatile use in any scenario
- Seamless USB-C plug-and-play connectivity for convenient presentations
- 65W charging of peripheral devices, ensuring uninterrupted presentations
- Flexible integration with slot-in PCs, supporting Windows, Linux, and Android OS



## Product Description

Elevate collaboration and productivity with the ViewBoard IFPG1 Series. Engineered without a native OS, it effortlessly connects with laptops, desktops, and mobile devices through its USB-C port, ensuring smooth and effortless large-screen presentations. Going beyond, it adapts to a range of technological preferences by fully integrating with slot-in PCs, enabling flexible workflows across Android, Windows, and Linux operating systems. Whether your organization utilizes the Google Workspace suite or prefers Microsoft 365, its adaptability shines in any scenario, in any environment.



1. Menu Controls
2. USB 3.0 X 2
3. USB 2.0
4. OPS Slot
5. VGA

8. USB 3.0 X 2
9. Touch 1
10. HDMI 1
11. HDMI 2
12. HDMI 3

15. VESA® Wall Mount 600 x 200mm
16. Power On/OFF
17. AC IN
18. RS232
19. USB 2.0(FW update)

6. Audio In  
7. Audio Out

13. Touch 2  
14. USB Type-C

---

**Visit Us** [www.viewsonic.com](http://www.viewsonic.com)



## DISPLAY

Panel Size:	55"
Panel Type:	TFT LCD Module with DLED Backlight
Display Area (mm):	1209.6(H) x 680.4 (V)
Aspect Ratio:	16:9
Resolution:	UHD 3840x2160
Colors:	1.07B colors (8bit+FRC)
Brightness:	450nits
Contrast Ratio:	1200:1 (typ.) 6000:1 (DCR)
Response Time:	8ms
Viewing Angles:	H = 178, V = 178 typ.
Backlight Life:	50,000 hours (Min)
Surface Treatment:	Hardness: 9H, Anti-glare coating
Bezel:	Slim
Orientation:	Landscape

## TOUCH

Type/ Tech:	Ultra Fine Touch Technology (IR Recognition)
Touch Resolution:	32767 × 32767
Touch Point:	Windows: 40 points of touch, Android : 20 points of touch

## INPUT

HDMI:	Rear 2.0 x 3 (HDMI 1 & 3 Support CEC; HDMI 2 Supports CEC & ARC)
RGB / VGA:	x1
Audio:	x1
RS232:	x1
OPS:	x1

## OUTPUT

Audio:	x1
--------	----

## LAN

RJ45:	1 in 1 out
-------	------------

## USB

Type A:	Front x3(USB2.0x1, USB3.0x2) Rear x3(USB3.0x2, 2.0 x1 for FW update)
Type B:	Rear x2 (USB 3.0x2)
Type C:	x1 ( DP 1.2, Touch, Data Sharing, PD65W, Ethernet 10M/100M)

## SPEAKERS

15Wx2
-------

## TOP CAMERA PLATE

Yes
-----

## COMPATIBILITY

HDMI:	3840x2160 @ 60Hz
-------	------------------

## SPECIAL FEATURES

All-in-one USB port:	"SmartPort™ USB" to all channels.
----------------------	-----------------------------------

## POWER

Voltage:	100-240VAC +/- 10% Wide Range
Consumption:	On:90.23W Off mode <0.5W

## ERGONOMICS

Wall Mount (VESA® ):	400mm x 200 mm
----------------------	----------------

## OPERATING CONDITIONS

Temperature (° C):	0°C to 40°C
Humidity:	20% ~ 80% RH non-condensing

## DIMENSIONS (W X H X D)

Physical (inch / mm):	49.7 x 30.3 x 3.37 in / 1262.5 x 770 x 85.7 mm
Packaging (inch / mm):	54.8 x 34.1 x 8.7 in / 1392 x 867 x 220 mm

## WEIGHT

Net (lb / kg):	59.30lb/26.90kg
Gross (lb / kg):	78.04lb/35.40kg

## REGULATIONS

US NRTL w/ CA,FCC/ICES003, DOE Energy Star,DOE EPEAT, CE EMC, LVD or CB, RoHS Green BOM & RoHS DoC, ErP, REACH SVHC List & DoC, EEL, WEEE, GOST-R / EAC, FF,LBL, ErP-Eco,SCIP,Annex I,Annex II,TPCH DoC,Packing waste,CA65 DoC

## PACKAGE CONTENTS

1. 3m power cable
2. HDMI 2.0 cable 3m x 1 (HDMI LA certified)
3. Remote control with AAA battery (Opt.)
4. 3m USB 2.0 touch cable x 1
5. Touch pen (Passive pen) x 2 (VB-PEN-002)
6. Quick Start Guide + Compliance Statement
7. RS232 adapter
8. Screw (wall mount 4)
9. Camera Plate

## COMPATIBLE SLOT-IN PC

VPC-A31-O1/VPC35-W53-G1/VPC37-W53-G1
--------------------------------------



Simple LAN sharing between IFP  
and slot-in device:

10/100/1000M (USB  
Type-C 10M/100M,  
OPS 1000M)

Light Sensor:

Yes

Copyright © ViewSonic Corporation 2000-2024. All rights reserved.

