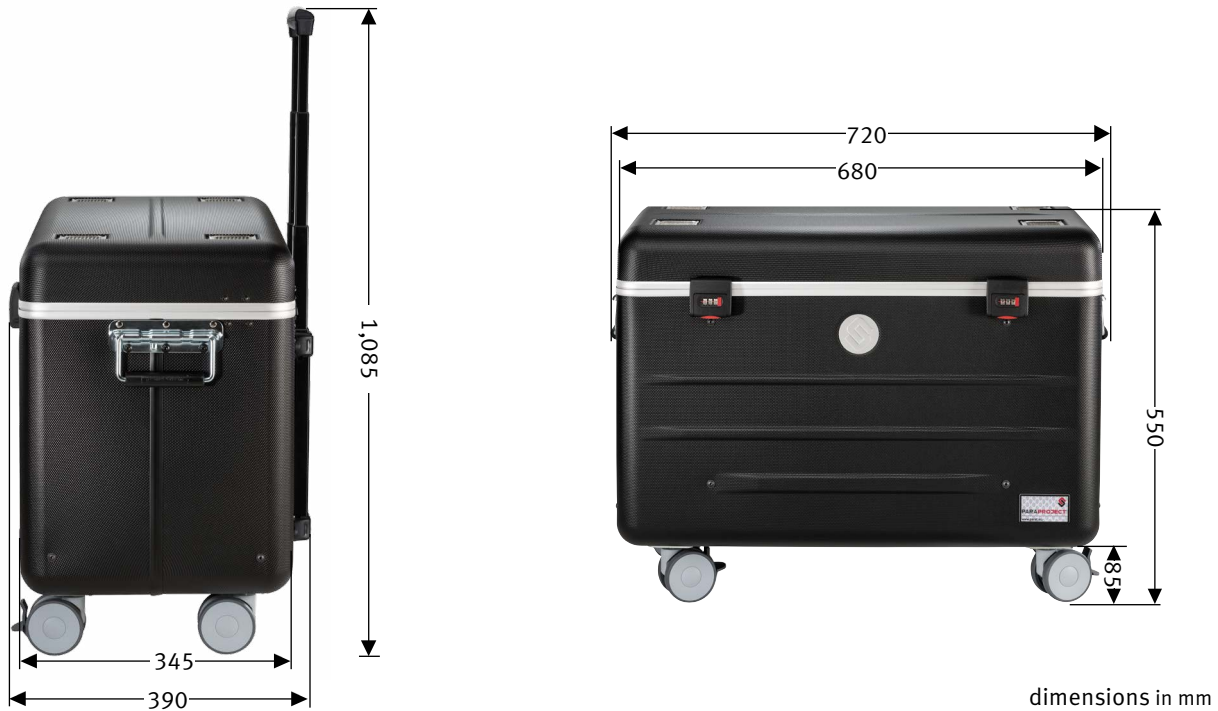


PARAPROJECT® CASE i16 KidsCover

CHARGE, SYNC, TRANSPORT & PROTECT

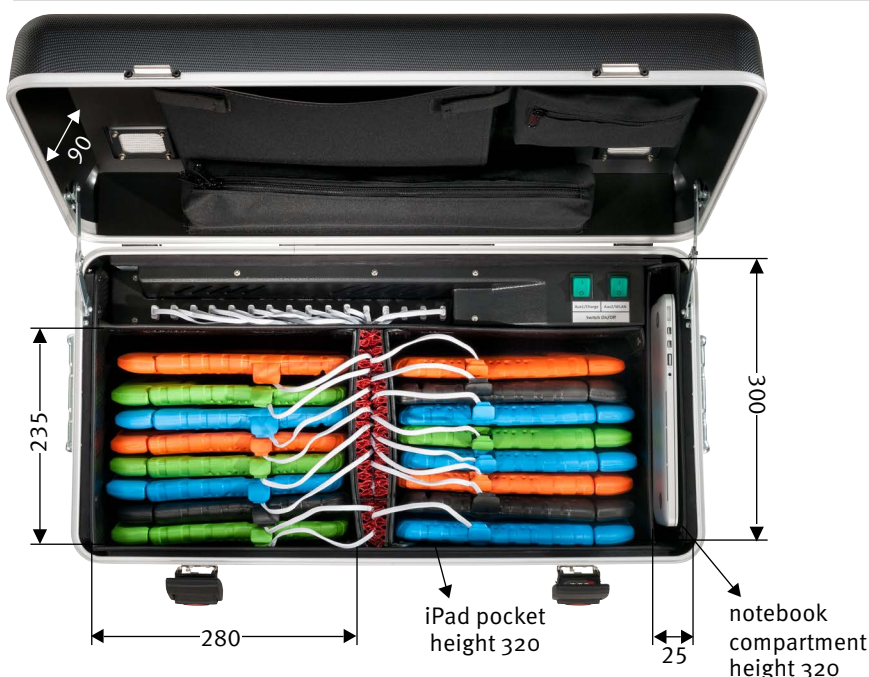


description	PARAPROJECT® CASE i16 KidsCover for iPad; black	
part number	EU version: 208.640-15101	CH version: 208.641-15101
GTIN / EAN	006793000773	4006793951914
field of application	education, health care	
certificates	CE / RoHS / REACH	
applicable standards	DIN EN 60950-1 / DIN EN 55022 / DIN EN 55024	
scope of delivery	<ul style="list-style-type: none"> - 16x USB data and charging cable to lightning connector with LED display - 1x device connection cable EU, length: 5 m - 1x USB connection cable, length: 3 m - 1x y-adaptor with 1x IBM socket (C5, 3-pin) and 1x Euro-8 socket (C7, 2-pin) - 1x y-adaptor with 1x Euro flat plug (2-pin) and 1x Euro-8 socket (C7, 2-pin) - 1x user guide for combination lock - 1x user manual 	<ul style="list-style-type: none"> - 16x USB data and charging cable to lightning connector with LED display - 1x device connection cable CH, length: 5 m - 1x USB connection cable, length: 3 m - 1x y-adaptor with 1x IBM socket (C5, 3-pin) and 1x Euro-8 socket (C7, 2-pin) - 1x y-adaptor with 1x Euro flat plug (2-pin) and 1x Euro-8 socket (C7, 2-pin) - 1x user guide for combination lock - 1x user manual
materials	<ul style="list-style-type: none"> - outer shell made from impact-resistant rubberized X-ABS plastic with a wall thickness of 3 mm, black - circumferential aluminum frame on lid and body - pockets made from „Con-Pearl®“ material - bottom tray of the case is fully lined with foam material 	
transport	<ul style="list-style-type: none"> - 4x smooth-running ball bearings (with 2 lockable castors) - telescopic handle, 4-fold - carrying handles on both sides 	
external dimensions	width 720 x depth 390 x height 550 mm	
empty weight	15.2 kg	
shipping weight	17.75 kg	
transport dimensions	width 760 x depth 420 x height 570 mm	
number of euro-pallets	6	
dimensions of euro-pallet	width 1,200 x depth 800 x height 1,860 mm	
customs tariff no.	42021250	
country of origin	EU	

PARAPROJECT® CASE i16 KidsCover

CHARGE, SYNC, TRANSPORT & PROTECT

equipment	<ul style="list-style-type: none"> - case lid: with diverse pockets and compartments - body: sync and charging unit, 2x storage space for 8 iPad each with KidsCover, storage compartment for master laptop - additionally: air vents in the lid and bottom tray ensure optimum air circulation - built-in programmable charging timer - temperature sensor (overheating protection)
compatible devices	all iPad 4G and beyond as well as all iPad Mini
max. number of devices	16
operating system	iOS
Screen size	up to 9.7"
cable types for equipment	USB data and charging cable to lightning connector with LED display
power supply	central power unit for the entire power supply of devices
output power per port	2.4 A
optional accessories	KidsCover
locking system	combination lock
connections	<p>outside:</p> <ul style="list-style-type: none"> - central power supply with protective cap - USB-B terminal for sync - network connector (RJ45) for access point - optional HDMI port <p>inside:</p> <ul style="list-style-type: none"> - 16x USB-A terminal for Flex2Connect - y-adaptor, C14 plug to 1 x IBM port (C5, 3-pin) and 1 x Euro-8 socket (C7, 2-pin, AUX 1) - y-adaptor, C14 plug to 1 x Euro flat plug and 1 x Euro-8 socket (C7, 2-pin, AUX 2)
data of currents	<ul style="list-style-type: none"> - 100 - 240 V - max. 3.6 A - 50/60 Hz
dimensions of iPad pockets	2 big storage compartments for 8 KidsCover each width 280 x depth 235 x height 320 mm
dimensions of notebook compartment	width 25 x depth 300 x height 320 mm



- sync and Charging unit (Switch On / Off)
- built-in programmable charging timer



- central power supply with protective cap
- USB-B terminal for sync
- network connector (RJ45) for access point
- optional HDMI port

dimensions in mm