



DELL SINGLE MONITOR ARM – MSA20

Virtually tool-free installation.



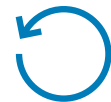
EASY TO INSTALL

Enjoy a virtually tool-free assembly and easy installation with this Dell Single Monitor Arm – MSA20. Dell Quick Release lets you snap on the Dell UltraSharp or P-series monitor onto the arm simply without tools. In addition, select Dell OptiPlex Micro, Ultra and Wyse systems can be mounted along with the monitor to create a tidy desk.



RAPID DEPLOYMENT

Use a standard VESA mount with Dell E-series monitors and other screens for a comprehensive monitor arm deployment across multiple brands. A counterbalance indicator on the side of the arm delivers precision deployment, allowing identical tension settings to be set across numerous similar monitors.



CONVENIENT SWIVEL ADJUSTMENT

Quickly adjust your monitor for maximum productivity and comfort with the World's first monitor arm to offer swivel angle adjustment with a flip of a switch.* The Dell swivel switch prevents overhang or over-rotation, letting you change the angle of the arm to 180 degrees or 360 degrees without having to remove it.

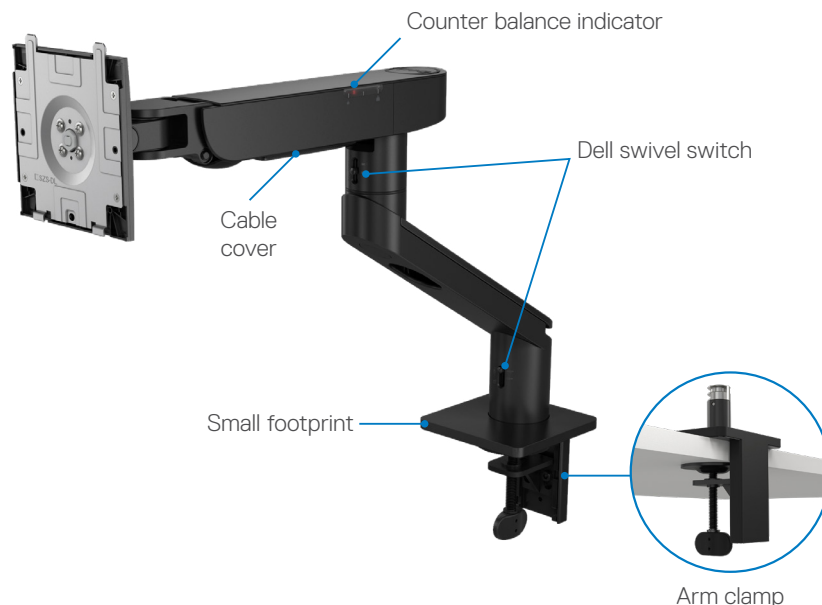
Features & Technical Specifications



Arm folds neatly, flushed against the back of the monitor to offer more desk space.



World's first monitor arm to offer swivel angle adjustment with a flip of a switch.*



Dell Single Monitor Arm – MSA20

Color	Black
Panel Mount	Dell Quick Release mounting VESA Compliant Monitor (100 mm x 100 mm) VESA Adapter Plate sets included
Individual Weight Range per Arm	4.8 to 22.0 lbs (2.2 to 10.0kg)
Individual Monitor Screen Size per Arm	19" to 38" (monitor mounting only). For PC and monitor mounting, please refer to the compatibility matrix.
Individual Monitor Tilt	-35° to +80°
Individual Monitor Swivel	Switchable 180° and 360° at base and joint. 180° at monitor
Individual Monitor Pivot	-/+ 90°
Individual Monitor Height Range	10.5" (266mm)
Individual Monitor Depth Range	21.6" (548mm)
Cable Management	Cable management slot on the upper and lower arms
Installation Type	Clamp up to 2.1" (53mm) desk thickness and Grommet hole up to 2" (50.8mm) diameter
Client Mounting	Select OptiPlex Micro & Ultra and Wyse Thin Clients
Warranty	3 years Limited Hardware Warranty
In the box	Dell Single Monitor Arm – MSA20 VESA Adapter Plate Allen Key Documentation

Product availability varies by country. Contact your Dell representative or visit Dell.com to learn more.

*Based on internal analysis, November 2019.

ID# G19000453