



**THE BEST SUPPORT
FOR YOUR AV & IT HARDWARE**
T: + 31(0)23-5478888 | E: info@newstar.eu | W: www.newstar.eu

NM-HUB2LIFTBLACK NEWSTAR ELECTRIC HEIGHT ADJUSTABLE

NewStar NM-HUB2LIFTBLACK Motorised
Trolley for Microsoft Hub 2S(X), Height
Adjustable - Black



SPECIFICATIONS

Cable management	Yes
Color	Black
Depth	74 cm
Height	125 - 175 cm
Height adjustment	Motorised
Max. screen size	51
Max. weight	150
Min. screen size	50
Min. weight	0
Screens	1
Tilt (degrees)	15°
Type	Tilt
	Mobile
VESA maximum	350x350 mm
VESA minimum	350x350 mm
Warranty	5 year
Width	104 cm
EAN code	8717371448042

The NewStar NM-HUB2LIFTBLACK motorised height adjustable floor stand is specifically designed to make your Microsoft Surface Hub 2S(X) screen as versatile as it was designed for. With the attached handles the cart can easily be moved on and through different work spaces.

The NM-HUB2LIFTBLACK can be automatically lifted in height by the push of a button. The stand can be lowered for collaboration and videoconferencing purposes, or raised for huddle meetings. The mount has a stepless electronic height adjustment of 50 cm by (wired) remote control.

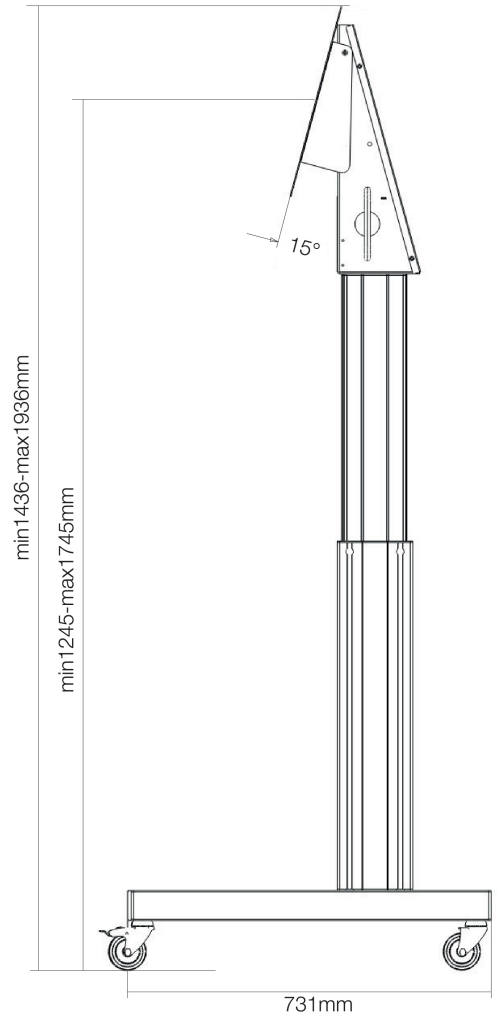
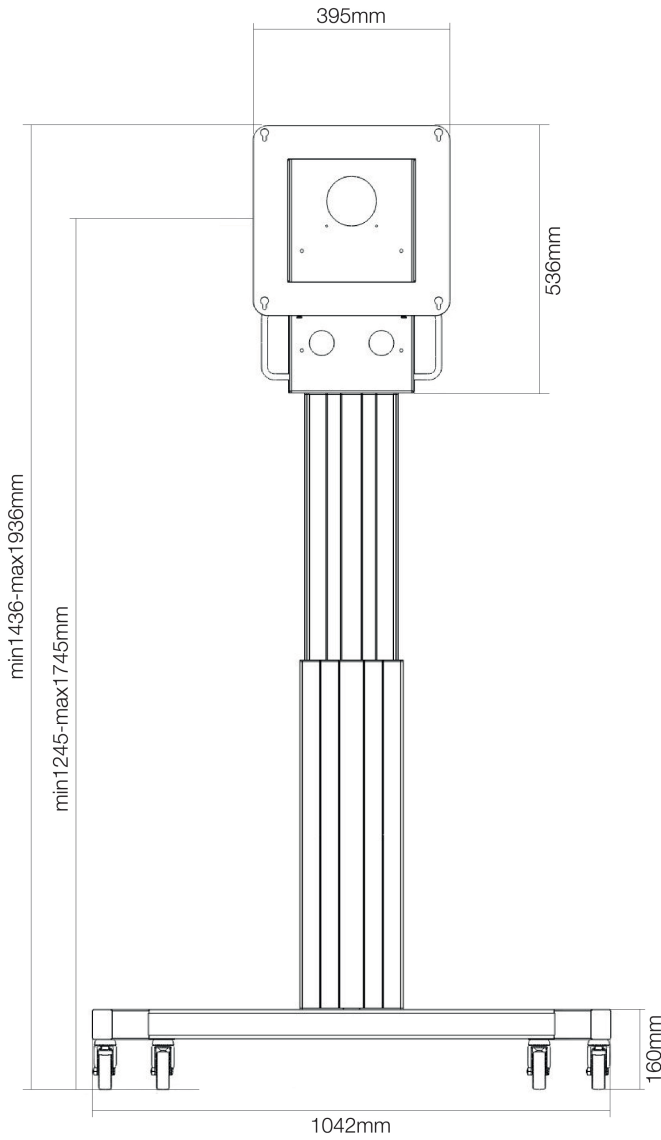
The mount is fitted with a, for the Microsoft Surface Hub 2S(X), custom designed head that has a tilt of 0 degrees, or 15 degrees, optimized for anti glare and multiple viewing angles. Preparation has been made for a battery pack, that can be closed off with a lid. The trolley is suitable for screens with a VESA hole pattern of 350x350 mm. The NM-HUB2LIFTBLACK from the NeoMounts lineup has a variable height adjustment from floor-to-center-screen of 125 cm to 175 cm.

With the NM-HUB2LIFTBLACK you have the most options to complement the Microsoft Surface Hub 2S(X) screen.



**THE BEST SUPPORT
FOR YOUR AV & IT HARDWARE**
T: + 31(0)23-5478888 | E: info@newstar.eu | W: www.newstar.eu

NM-HUB2LIFTBLACK NEWSTAR ELECTRIC HEIGHT ADJUSTABLE



NewStar Products Europe B.V.
Wateringweg 62/B
2031 EJ HAARLEM
THE NETHERLANDS

Phone : +31(0)23-5478888
Fax : +31(0)23-5478889
Email : info@newstar.nl
Website : www.newstar.eu

NewStar cannot be held liable for any inaccuracies and copyrights.
No part of this publication may be reproduced and/or published by print, photocopy, microfilm or in any other way, without prior written permission of NewStar Computer Products Europe BV.