

2x Fans. 2x Fun.

ASUS Innovations

- **Axial-tech Fan Design** features a smaller fan hub that facilitates longer blades and a barrier ring that increases downward air pressure.
- **Dual ball fan bearings** can last up to twice as long as sleeve bearing designs.
- **Auto-Extreme Technology** uses automation to enhance reliability.
- A **protective backplate** prevents PCB flex and trace damage.



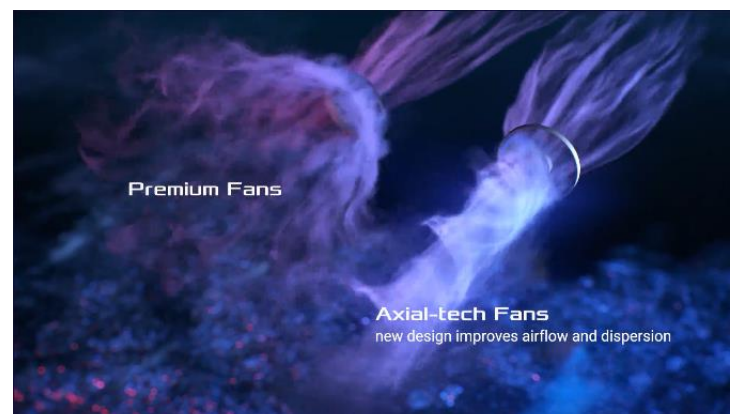
Dual Ball Fan Bearings

Different bearing types have unique pros and cons. Ball bearings excel at durability and can last up to twice as long as sleeve bearing designs.



Axial-tech Fan Design

Two tried-and-true Axial-tech fans feature a smaller hub that facilitates longer blades and a barrier ring to increase downward air pressure.



DUAL BIOS

Performance mode will let the fans spin up to keep the card running cool all the time. Quiet mode keeps the same power target and top-end settings, but offers a less aggressive fan curve for quieter operation at medium temps.



Protective Backplate

The PCB is reinforced by an aluminum backplate that adds structural rigidity, helping to prevent flex and protect components and trace pathways from damage.



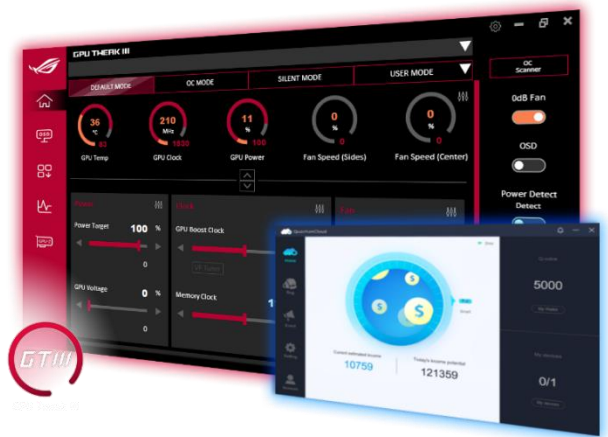
Stainless Steel Bracket

The mounting bracket of the Dual has been beefed up with 304 Stainless Steel that's harder and more resistant to corrosion.



Software Suite

Hardware and software come together to let you fully customize your experience and get the most out of your graphics card. GPU Tweak III allows for hardware tweaking and monitoring, and QuantumCloud utilizes your spare GPU computing power to generate passive income.



ASUS Features

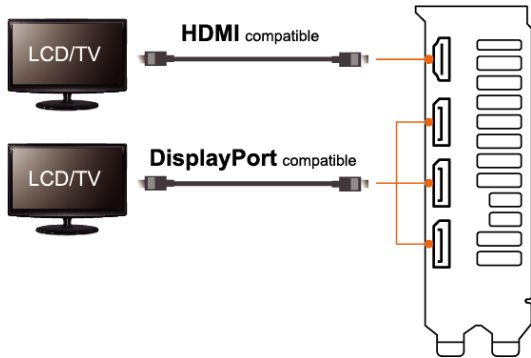
12 GB
GDDR6
Memory

12GB GDDR6 Memory:
On-board memory for the best gaming experience & the best resolution.

OC
Edition

OC Edition:
2599 MHz GPU boost clock in OC mode for outstanding gaming experience.

I/O Specifications



AMD Feature

AMD
RDNA 3

AMD RDNA™ 3
Architecture with
Hardware Raytracing

AMD
FidelityFX

AMD FidelityFX™ Super
Resolution technology

AMD
RADEON
Anti-Lag

Radeon™ Anti-Lag*

AMD
RADEON
Boost

Radeon™ Boost*

Specifications

| Model Name | DUAL-RX7700XT-O12G |
|-------------------|---|
| Graphics Engine | AMD Radeon™ RX 7700 XT |
| Stream Processors | 3456 |
| OpenGL® | OpenGL® 4.6 |
| Engine Clock | OC mode: up to 2599 MHz (Boost Clock)/up to 2239 MHz (Game Clock) Default mode: up to 2584 MHz (Boost Clock)/up to 2226 MHz (Game Clock) |
| Memory Interface | 192-bit |
| Video Memory | 12GB GDDR6 |
| Memory Speed | 18 Gbps |
| Power Connector | 2 x 8-pin |

| | |
|------------------------------------|--|
| I/O | 1 x Native HDMI 2.1 3 x Native DisplayPort 2.1 |
| HDCP Compliant | HDCP 2.3 |
| Digital Max. Resolution | 7680 x 4320 |
| Maximum Display Support | 4 |
| NVLink/Crossfire Support | No |
| Recommended PSU | 750 W |
| Bus Standard | PCIe 4.0 |
| Package Contents | 1 x Speedsetup Manual |
| Software Bundled | ASUS GPU Tweak III & Driver, please download all software from the support site. |
| Slot | 2.47 slot |
| Dimension | |
| Card Size (mm/inch) | 279.9 x 133.9 x 49.3 mm 11.02 x 5.27 x 1.94 inch |
| Color Box (mm) | 405 x 233 x 88.5 mm |
| Weight | |
| Single Card (KG) | 0.933kg |
| Product Weight (with packing) (KG) | 1.7kg |
| Note | <p>* Our wattage recommendation is based on a fully overclocked GPU and CPU system configuration. For a more tailored suggestion, please use the “Choose By Wattage” feature on our PSU product page: https://rog.asus.com/event/PSU/ASUS-Power-Supply-Units/index.html</p> <p>* All specifications are subject to change without notice. Please check with your supplier for exact offers. Products may not be available in all markets. If you do not use the latest and current specifications of ASUS products, you shall be liable for all loss and damage claimed by third party to ASUS based on false advertising or any other issues caused from using false specifications of ASUS products.</p> <p>* Crossfire Support for DirecX® 12 and Vulkan®</p> <p>* ‘Game Clock’ is the expected GPU clock when running typical gaming applications, set to typical TGP (Total Graphics Power). Actual individual game clock results may vary.</p> <p>* ‘Boost Clock’ is the maximum frequency achievable on the GPU running a bursty workload. Boost clock achievability, frequency, and sustainability will vary based on several factors, including but not limited to: thermal conditions and variation in applications and workloads.</p> |
| Regulation | <p>■S-AT2-001 GreenASUS Hazardous Substances Free(HSF) Technical Standard(Global RoHs,China RoHS,EU REACH,J-MOSS)</p> <p>■WEEE</p> |
| Certifications | ■ FCC ■ CE ■ C-TICK ■ BSMI ■ KCC ■ VCCI |

