



### 15.6" Full HD PCAP 10pt touch screen with Android and POE Technology

The ProLite TW1523AS-B1P touch panel PC is a perfect choice for high-use environments such as retail, interactive POS, information desks or hospitality applications. Thanks to the pre-installed Android operating system, it is possible to easily customize the monitor by installing applications directly to it.

The Power over Ethernet technology (POE) allows to provide both data connection and power by a single cable, simplifying all installations. This monitor can operate in landscape, portrait and face-up orientation in 24/7 operating time. Together with the built-in microphone and speakers it offers interactive and almost limitless application possibilities.



#### Connectivity

The RJ45 (LAN) connector supporting Power over Ethernet technology (POE\*) allows to provide both data connection and power by a single cable, simplifying all installations. Together with the built-in microphone and speakers it offers interactive and almost limitless application possibilities. \*Requires 30W



#### Android OS

Thanks to Android OS, you can easily customize the display to your needs by installing applications directly to it.

## 01 DISPLAY CHARACTERISTICS

Design	Edge to edge glass
Diagonal	15.6", 39.5cm
Panel	IPS Panel Technology, LED
Native resolution	1920 x 1080 (2 megapixel HD)
Aspect ratio	16:9
Panel brightness	450 cd/m <sup>2</sup>
Brightness	385 cd/m <sup>2</sup> with touch
Light transmittance	85%
Static contrast	1000:1 with touch
Response time (GTG)	30ms
Viewing zone	horizontal/vertical: 170°/170°, right/left: 85°/85°, up/down: 85°/85°
Colour support	16.7mln 8bit
Viewable area W x H	344.16 x 193.59mm, 13.5 x 7.6"
Pixel pitch	0.17925mm
Bezel colour and finish	black, matte

## 02 TOUCH

Touch technology	projective capacitive
Touch points	10
Touch method	finger, glove (latex), capacitive stylus
Touch interface	USB

## 03 INTERFACES / CONNECTORS / CONTROLS

Digital signal output	HDMI x1 (mini HDMI, 1920x1080 @60Hz)
Audio output	Speakers 2 x 2W
USB ports	x2 (2.0)
RJ45 (LAN)	x1 (PoE - IEEE802.3at/30W)

## 04 FEATURES

Integrated software	Android 11
CPU	Rockchip RK3288, quad-core Cortex-A17 up to 1.8GHz
GPU	Quad-core cortex A17
Storage	16GB eMMC
Memory	2GB DDR3
WiFi	IEEE802.11b/g/n
Bluetooth	4.0
Extra	auto-rotation, microphone, SD card slot, anti-fingerprint coating
Max. non-stop operating time	24/7
Glass thickness	1.8mm
Glass hardness	6H

## 05 GENERAL

## Applications

install new application / manage application, lock application, calculator, calendar, chrome, alarm / clock / timer / stopwatch, email, manage files and folders, manage images / video / audio, organize albums, manage power on/off time, play audio files, search engine, system preferences, sound recorder, play video files

## 06 MECHANICAL

**Orientation** landscape, portrait, face-up

**VESA mounting** 100 x 100mm

## 07 ACCESSORIES INCLUDED

**Guides** quick start guide, safety guide

**Other** AC adapter

**Cable cover** yes

## 08 POWER MANAGEMENT

**Power supply unit** external

**Power supply** DC 12 V

**Power usage** 12W typical

## 09 SUSTAINABILITY

**Regulations** CE, RoHS support, ErP, WEEE, REACH

**REACH SVHC** above 0.1%: Lead

## 10 DIMENSIONS / WEIGHT

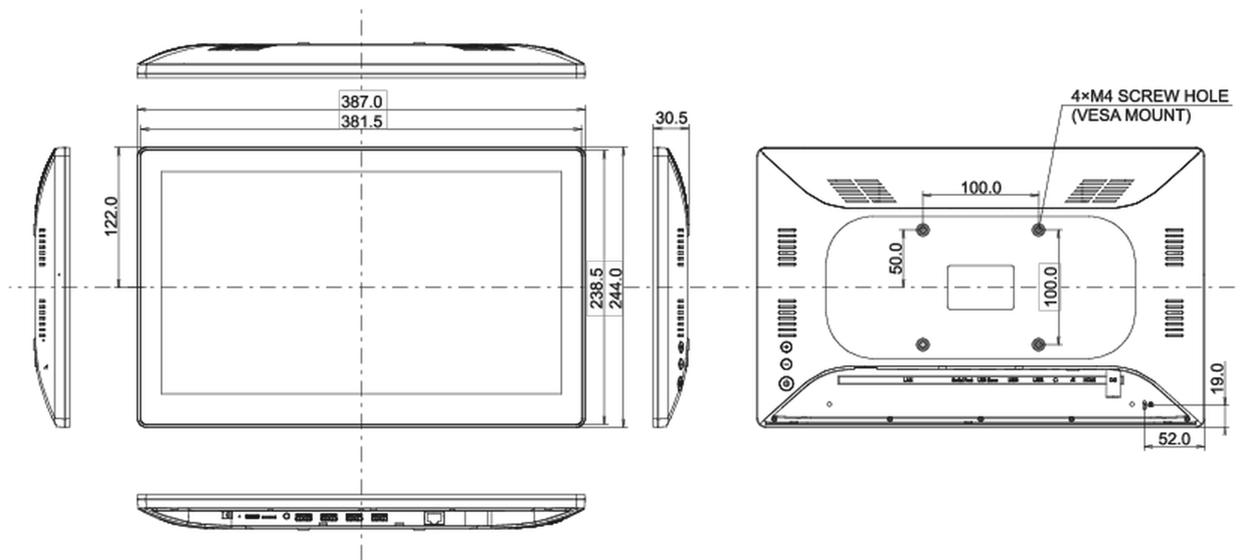
**Product dimensions W x H x D** 387 x 244 x 30.5mm

**Box dimensions W x H x D** 477 x 295 x 75mm

**Weight (without box)** 1.5kg

**Weight (with box)** 2.4kg

**EAN code** 4948570118014



All trademarks and registered trademarks acknowledged. E & O E. Specification subject to change without notice. All LCD's comply with ISO-9241-307:2008 in connection with pixel defects.

© IYAMA CORPORATION. ALL RIGHTS RESERVED