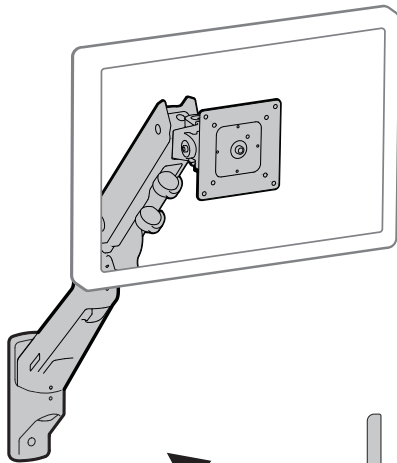
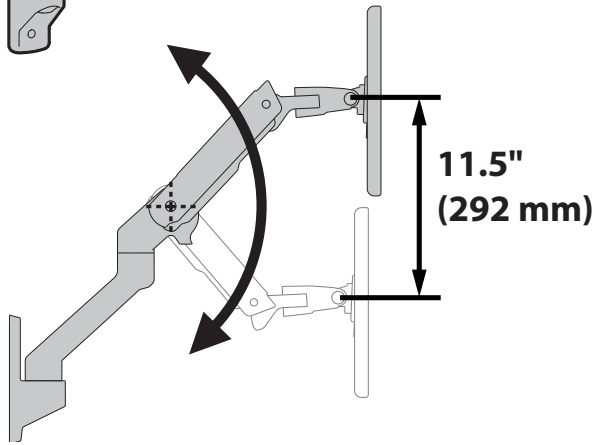


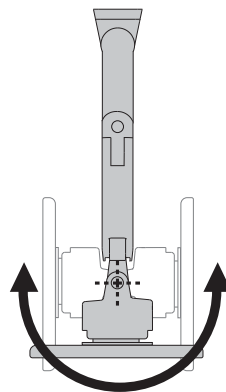
## Ergotron® HX Wall Monitor Arm



**20 lbs. - 42 lbs.**  
(9.1 kg - 19 kg)  
per monitor

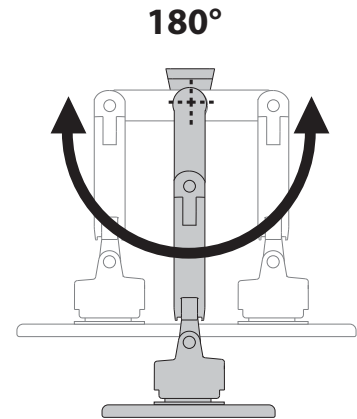


Side View



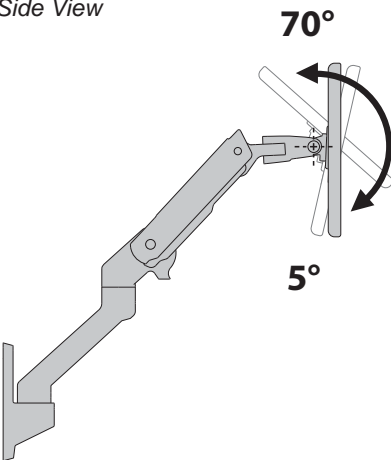
**180°**

Top View



**180°**

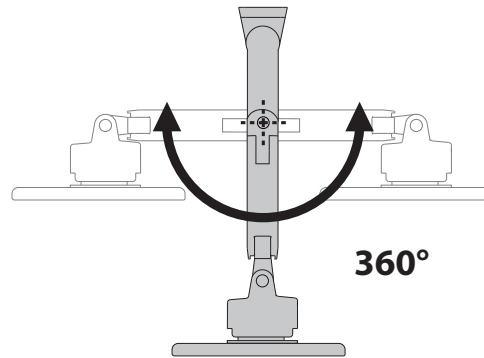
Top View



**70°**

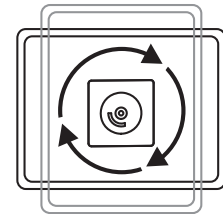
**5°**

Side View



**360°**

Top View



**Portrait/Landscape Rotation**

**Americas Sales and Corporate Headquarters**

St. Paul, MN USA  
(800) 888-8458  
+1-651-681-7600  
www.ergotron.com  
sales@ergotron.com

**EMEA Sales**

Amersfoort, The Netherlands  
+31 33 45 45 600  
www.ergotron.com  
info.eu@ergotron.com

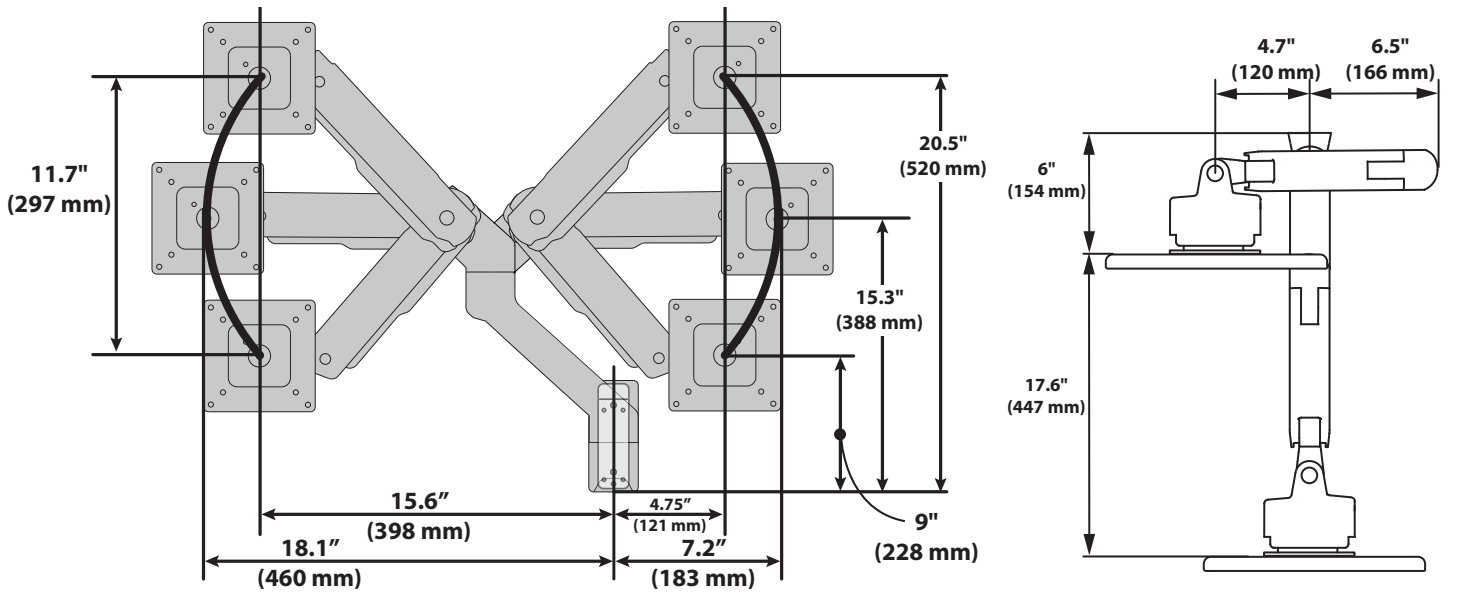
**APAC Sales**

Tokyo, Japan  
www.ergotron.com  
apaccustomerservice@ergotron.com

**Worldwide OEM Sales**

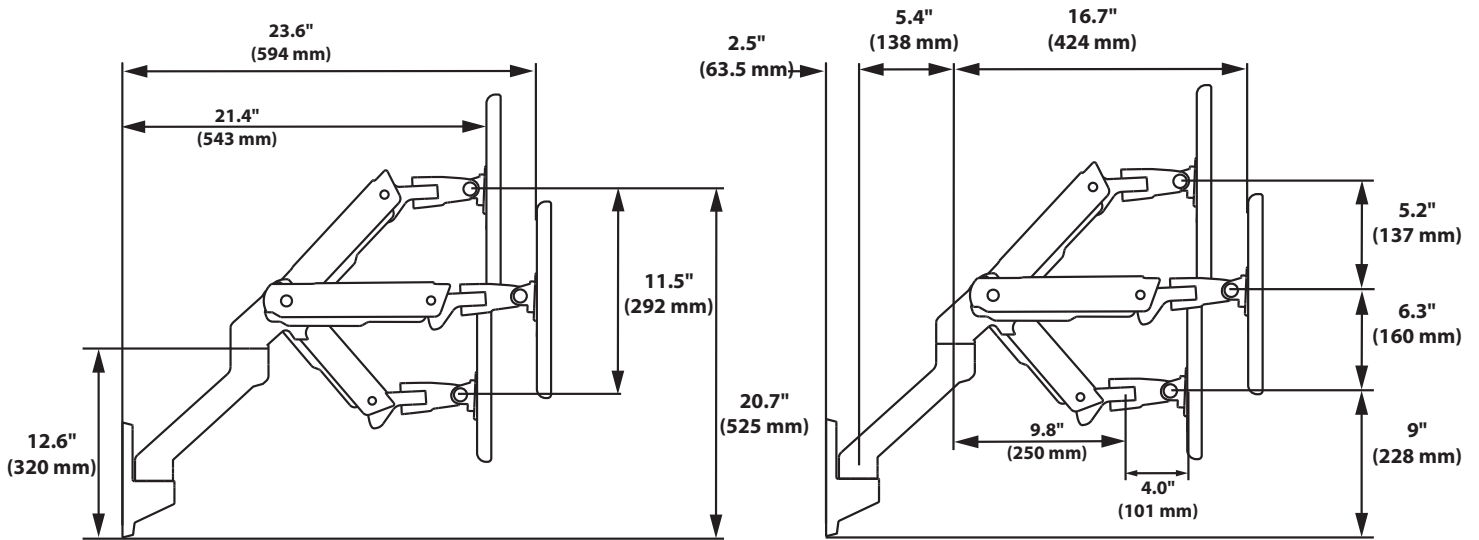
www.ergotron.com  
info.oem@ergotron.com

## Ergotron® HX Wall Monitor Arm



Front View

Top View



Side View

Side View

© 2016 Ergotron, Inc. rev. 11/28/2016 DIM-HXSingleWall Content is subject to change without notification

**Americas Sales and Corporate Headquarters**

St. Paul, MN USA  
 (800) 888-8458  
 +1-651-681-7600  
 www.ergotron.com  
 sales@ergotron.com

**EMEA Sales**

Amersfoort, The Netherlands  
 +31 33 45 45 600  
 www.ergotron.com  
 info.eu@ergotron.com

**APAC Sales**

Tokyo, Japan  
 www.ergotron.com  
 apaccustomerservice@ergotron.com

**Worldwide OEM Sales**

www.ergotron.com  
 info.oem@ergotron.com