

NETGEAR®

Installation Guide

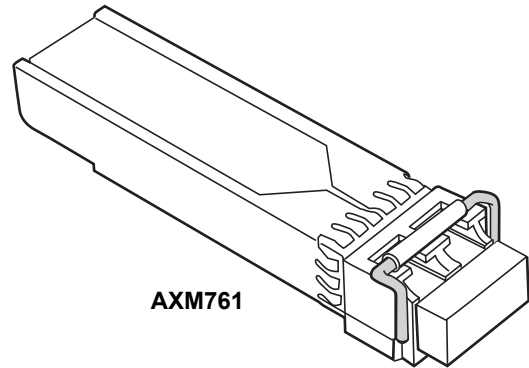
ProSafe 10 Gigabit Ethernet SFP+ Module AXM761

Install Your Optical Module

The 10 Gigabit small form-factor pluggable (SFP+) module provides a full-duplex 10G bps each direction for Ethernet operation on NETGEAR managed switches.

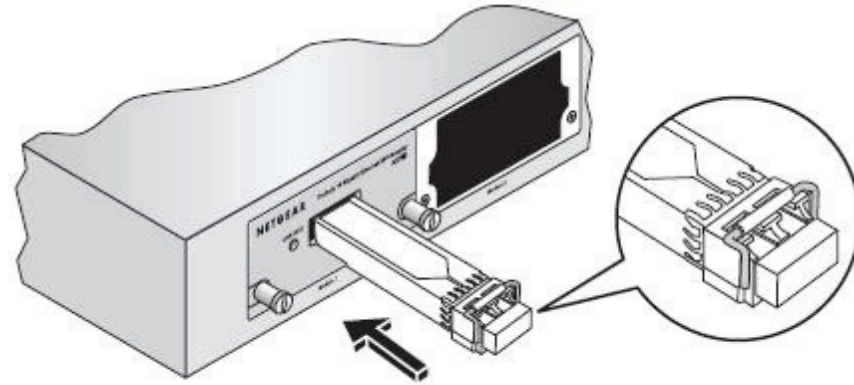
The switch will automatically detect the AXM761, so you can simply plug it into an available module slot.

The module can be inserted or removed while the switch is operational.



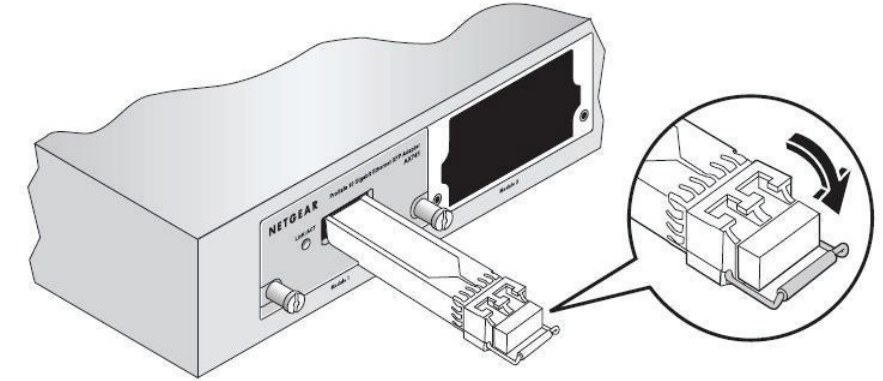
Installing a AXM761 Module

Insert the module firmly into the slot that supports the SFP+ interface. Make sure the optical cable you use is multi mode LC to LC duplex cable.



Removing a AXM761 Module

Release the module latch by pulling down the handle bar across the module, and pull the module out of the module slot.



Technical Specifications	
Standards	IEEE 802.3ae 10GBase-SR
Wavelength	850nm
Dimensions (HxWxD)	0.46" x 0.53" x 2.19" (11.9 mm x 13.7 mm x 55.7 mm)
Weight	17.1g
Operating Temperature	32 -158° F (0 - 70°C)
Storage Temperature	32 -185 °F (0 - 85°C)
Operative relative humidity	85% @ (25°C)
Operating Distance	2 - 300 m for 50/125 um MMF 2 - 33 m for 62.5/125 um MMF
Connectors	LC
Power Consumption	<1.0w
MTBF	4,986,536 hr (569 years)
Safety Certification	UL 1950 CSA 22.2 No. 950
Environmental Compliance	-RoHS

Technical Support

Thank you for selecting NETGEAR products.

After installing your device, locate the serial number on the label of your product and use it to register your product at <http://www.NETGEAR.com/register>. Registration is required before you can use our telephone support service. Registration via our web site is strongly recommended.

Go to <http://kbserver.netgear.com> for product updates and Web support. For Warranty and Regional Customer Support information, see the *Warranty Card* that came with your product.

Regulatory Compliance

Statement of Conditions

In the interest of improving internal design, operational function, and/or reliability, NETGEAR reserves the right to change the product described in this document without notice. NETGEAR does not assume any liability that may accrue due to the use or application of the product(s) or circuit layout(s) described herein.

Certificate of Manufacture/Importer

It is hereby certified the NETGEAR model AXM761 has been suppressed in accordance with the condition set out in MBPT-AmtsblVfg 243/1991 and vfg 46/1992. The operation of some equipment (for example, test transmitters) in accordance with regulation may, however, be subject to certain restrictions. Please refer to the note in the operating instructions. Federal Office for Telecommunications Approvals has been notified of the placing of this equipment on the market and has been granted the right to test the series for compliance with regulation.

Note: This device has been tested and found to comply with limits for a Class B digital device, pursuant to part 15 of FCC rules. These limits are designed to provide reasonable protection against harmful interference in a commercial installation.

Laser Safety Warning

This is a Class 1 laser product.

Warning: Because invisible laser radiation may be emitted from aperture of the port when no fiber cable is connected, avoid exposure to laser radiation and do not stare into the open aperture.



This symbol was placed in accordance with the European Union Directive 2002/96 on the Waste Electrical and Electronic Equipment (the WEEE Directive). If disposed of within the European Union, this product should be treated and recycled in accordance with the laws of your jurisdiction implementing the WEEE Directive.

© 2009 by NETGEAR, Inc. All rights reserved. NETGEAR and the NETGEAR logo are registered trademarks of NETGEAR, Inc. in the United States and/or other countries. Other brand and product names are trademarks or registered trademarks of their respective holders. Information is subject to change without notice.



201-11710-01



July 2009