



## VEHICLE DOCK FOR TOUGH PAD FZ-F1 & FZ-N1

### Model Number: PCPE-GJN1V01/02/03/04

A rugged vehicle cradle for use with FZ-F1 and FZ-N1 Toughpad devices, offering power only.

Compact and lightweight, this dock has been designed for ease of use, allowing single handed dock and release operation, and can accommodate a wide range of configuration options on the FZ-F1 and FZ-N1 including the extended battery and hand straps.

#### Key Features

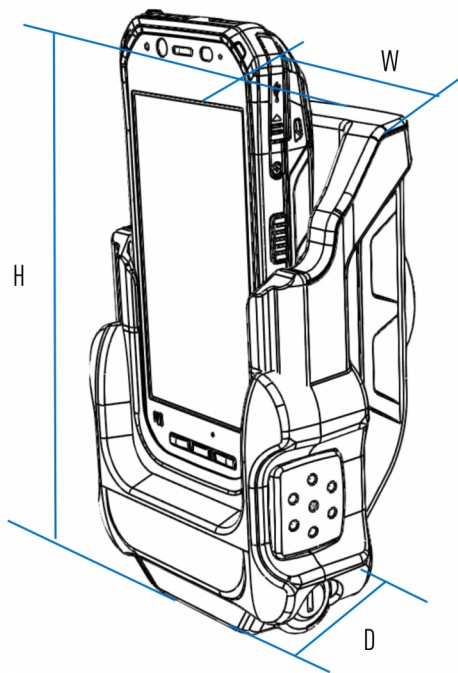
- Designed for use with Toughpad FZ-F1 and FZ-N1 only
- Ergonomically designed for in-vehicle use
- Single handed dock and release operation
- AMPS mounting pattern
- 16V DC input
- Accommodates extended battery and hand straps
- Composite ABS construction for light weight and durability
- Alignment tabs to prevent damage to docking connector - tested to 30,000 cycles (not limited to)
- Power supply not included
- 1 year standard warranty (pick up and return)
- 3 and 5 year Extended Warranty and Accidental Damage Warranty options available

Panasonic recommends Windows 10 Pro.

# VEHICLE DOCK FOR TOUGHPAD FZ-F1 & FZ-N1

Technical specifications are subject to change without notice.

Model Number:	PCPE-GJN1V01	PCPE-GJN1V02	PCPE-GJN1V03	PCPE-GJN1V04
Lock Type	Keyed Alike	Keyed Differently	Keyed Alike	Keyed Differently
Power Input	DC-16V		None	
LAN	-			
USB	-			
Serial	-			
VGA	-			
HDMI	-			
Dimensions				
Width	115 mm / 4.5"			
Height	190 mm / 7.5"			
Depth	90 mm / 3.5"			
Weight	0.3 kg / 0.7 lbs			
Warranty	1 year standard (pick up and return), extended options available			
Configurations supported:	All			



Ergonomic, curved edge to facilitate single handed operation



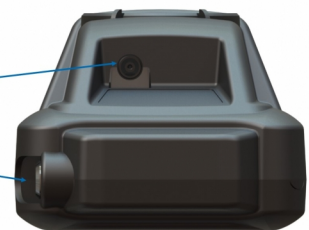
Lock



AMPS Mounting Pattern

DC-In

Lock



## CERTIFICATIONS AND TESTING:

- . Toughbook Certified
- . MIL-STD-810G shock / vibration
- . RoHS; C-Tick; E-Mark and CE