



LH856UST

BenQ DLP Projector for Education

- 3500AL High Brightness
- Up to 60,000 hrs laser life by Dynamic Dimming mode
- Support HDMI 2.0 4K2K input
- Ultra Short Throw 0.33 T/R
- Optional Interactive PointWrite Module compatibility
- BenQ Exclusive Infographic / Vivid Mode



Display

Projection System	DLP Single 0.65" Full HD
DMD Type	DC3 DMD chip
Native Resolution	1080p (1920x1080)
Brightness	3,500 ANSI Lumens
Contrast Ratio*	3,000,000 : 1
Display Colour	30 Bits (1.07 Billion Colours)
Aspect Ratio	Native 16:9 (5 Aspect Ratio Selectable)
Light Source	Laser NUBB28
Light Source Life** (Normal/Eco/Dynamic Dimming)	20,000 / 38,000 / 60,000 hours

Optical

Throw Ratio	0.33
Zoom Ratio	Fixed
Keystone Correction	2D Vertical & Horizontal ±15 degrees
Projection Offset	124.6% (Full Height)
Projection Size	81"~103"

Audio

Built-In Speaker	10W x2
-------------------------	--------

Special Feature

Security	Security Bar, Kensington Lock
Features	2D Keystone, Corner Fit, Digital zoom(2x), Digital Shrink(0.8x) and Shift, LAN Control, Crestron/AMX/ PJ Link compatibility, Optional Interactive module (PW31U/PW30U/PT20) compatibility, BenQ DMS

Compatibility

Resolution Support	VGA (640 x 480) to UHD (3840 x 2160)
Horizontal Frequency	15~135KHz
Vertical Scan Rate	23~120Hz
HDTV Compatibility	720p, 1080i, 1080p, 4K

Power

Power Consumption (Max/Normal/Eco)	190W / 170W / 140W
Standby Power Consumption	Normal <0.5W Network <2W
Power Supply	100 ~ 240V AC

Dimension and Weight

Product Dimensions (WxHxD) / Product Weight	317.2 x 376.4 x 208mm / 6.5Kg ±100g
--	-------------------------------------

Operation Condition

Noise Level (Normal/Eco)	34 / 32 dBA
Operating Temperature	0 ~ 40°C

Accessories

Accessories (Standard)	Power Cord (by region) (3.0M), Remote Control (RCE017), AAA Battery x2 VGA cable (1.8M), Warranty Card (by region), QSG (4J.JS101.001), Regulatory statement, Wall mount (WM04G4)
Accessories (Optional)	Universal Ceiling Mount (CMG3), PointWrite Kit: PW31U (5A.JJR26.11E) or PW30U (5A.JJR26.20E), PointWrite Touch Module: PT20 (5A.JJR26.30E), Wi-Fi Dongle: QCast Mirror QP30 (5A.JH328.004), Wireless Presentation System Instashow WDC10 (9H.JF878.N4E) or WDC30 (9H.JNY78.S1E)

OSD

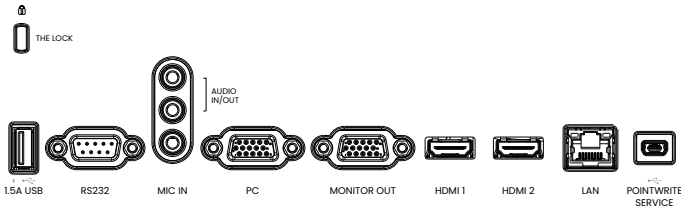
On Screen Display Language	Arabic/Bulgarian/Croatian/Czech/Danish/Dutch/English/Finnish/French/German/Greek/Hindi/Hungarian/Italian/Indonesian/ Japanese/Korean/Norwegian/Persian/Polish/Portuguese/Romanian/Russian/Simplified Chinese/Spanish/Swedish/Turkish/ Thai/Traditional Chinese/Vietnamese (30 Languages)
-----------------------------------	--

Other

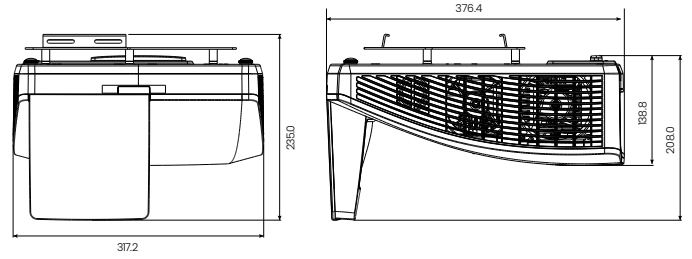
Part Number	9H.JS177.24E
EAN Code	471 8755 09135 3

* The Contrast is measured by Full On/Full Off standard.
 ** Light Source Life results will vary depending on environmental conditions and usage.
 *** Actual product's features and specifications are subject to change without notice.
 Storage: Temperature: -20~60°C, Humidity: 10~90%RH (without condensation).

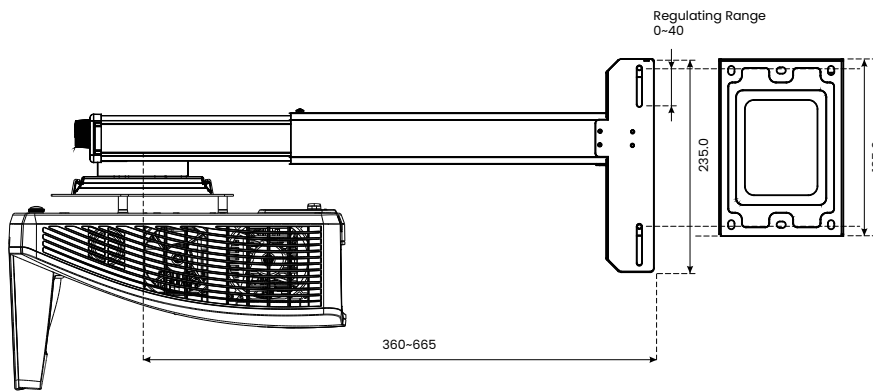
INPUT AND OUTPUT TERMINALS



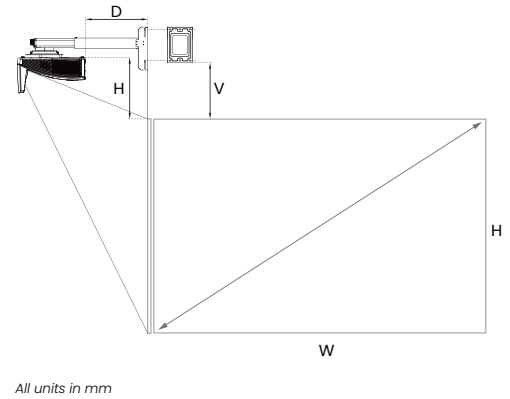
DIMENSIONS



WALL MOUNT CHART



PROJECTION DIMENSIONS



DISTANCE CHART

Screen size (Diagonal)		Screen Width (W)		Screen Height (h)		Projection Distance (D)		Offset (H)		Scale Parameter	Distance between Wall plate & projection screen (V)
Inch	mm	Inch	mm	Inch	mm	Inch	mm	Inch	mm	mm	
81.2	2062	71	1798	40	1011	11.06	280.9	12.31	312.7	508	289.0
85	2159	74	1882	42	1058	12.16	308.9	12.77	324.4	536	300.6
88.9	2258	77	1968	44	1107	13.29	337.6	13.24	336.3	565	312.5
90	2286	78	1992	44	1121	13.61	345.7	13.37	339.7	573	315.9
92	2337	80	2037	45	1146	14.19	360.5	13.62	345.8	588	322.0
97	2464	85	2147	48	1208	15.64	397.4	14.22	361.1	625	337.4
100	2540	87	2214	49	1245	16.51	419.5	14.58	370.3	647	346.6
103.3	2624	90	2287	51	1286	17.47	443.8	14.98	380.4	671	356.7

The screen aspect ratio is 16:9 and the projected picture is 16:9.



benq.eu/en-eu/business/projector.html

BenQ

© 2023 BenQ Corp. Specifications may vary by region, please visit your local stores for details. Actual product's features and specifications are subject to change without notice. This material may include corporate names and trademarks of third parties which are the properties of the third parties respectively.