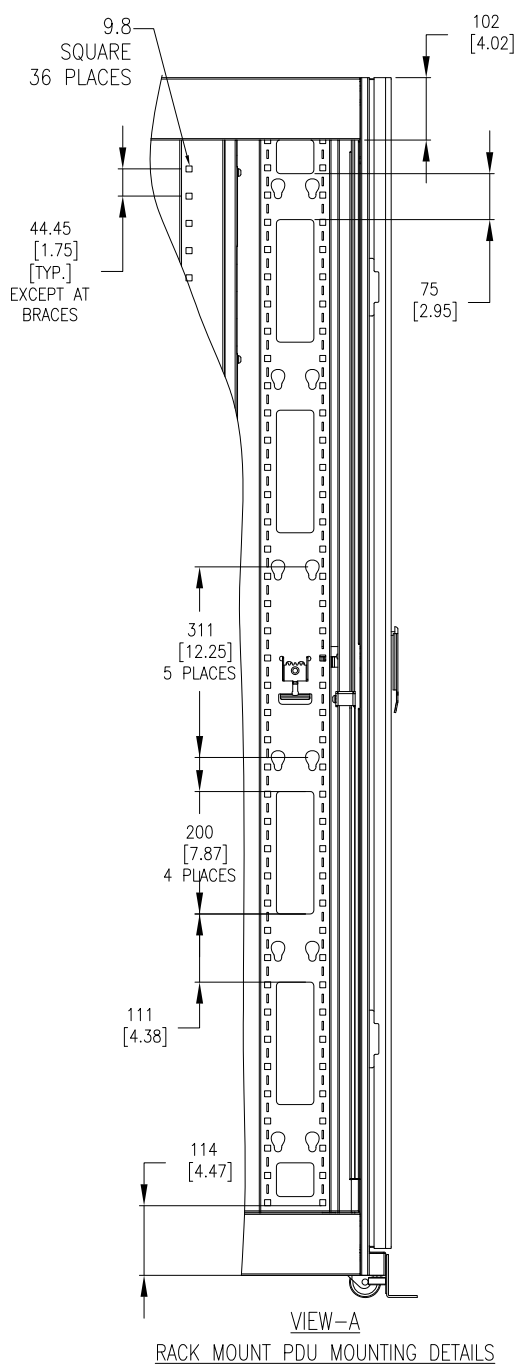
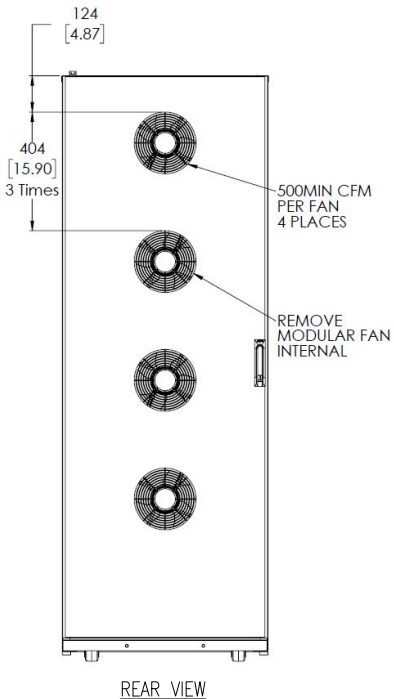
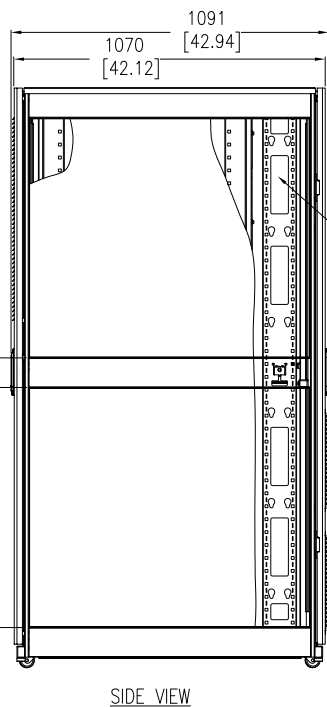
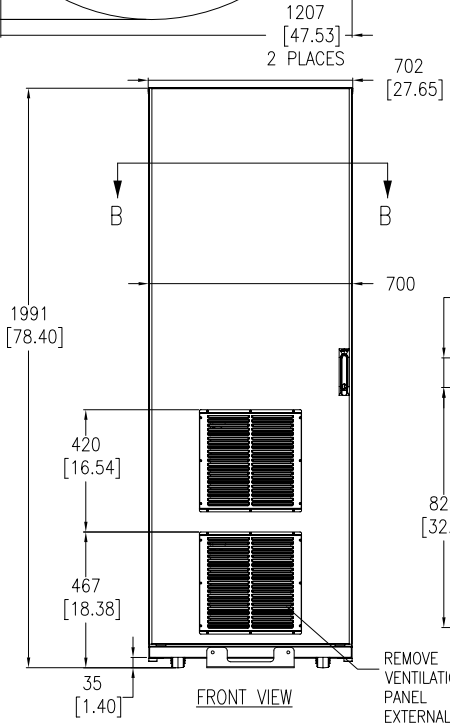


REFER TO NEXT SHEET FOR DETAILS

**NOTES:**

1. INSTALLATION SHALL COMPLY WITH ALL APPLICABLE NATIONAL AND LOCAL CODES.
2. PLEASE REFER TO PRODUCT MANUALS FOR ADDITIONAL DETAILS.
3. ALL DIMENSIONS ARE IN MILLIMETERS, UNLESS OTHERWISE SPECIFIED.
4. NET WEIGHT OF UNIT IS TBD Kg.
5. CABLE ENTRY IS TOP OR BOTTOM OF UNIT.
6. FRONT AND REAR SERVICE ACCESS REQUIRED.
7. AIR FLOW AND SERVICE REQUIREMENTS, AS WELL AS MINIMUM CLEARANCE TO FIRE SUPPRESSION SYSTEMS SHOULD BE CONSIDERED WHEN LOCATING THE ENCLOSURE.
8. PALLET BRACKET SHOWN FOR ILLUSTRATION ONLY. PLEASE REFER TO SHEET 3 FOR ANCHORING DETAILS.



VIEW-A  
RACK MOUNT PDU MOUNTING DETAILS

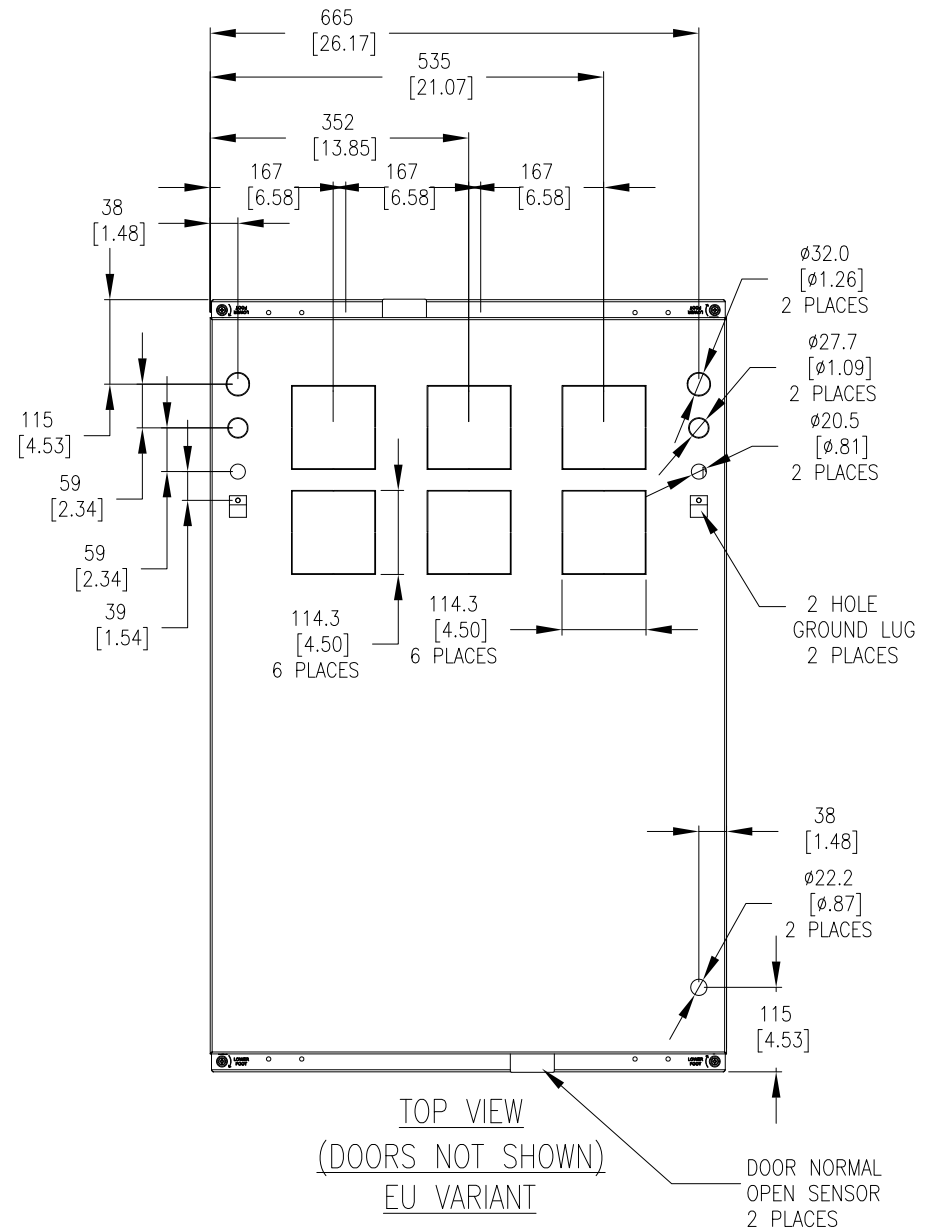
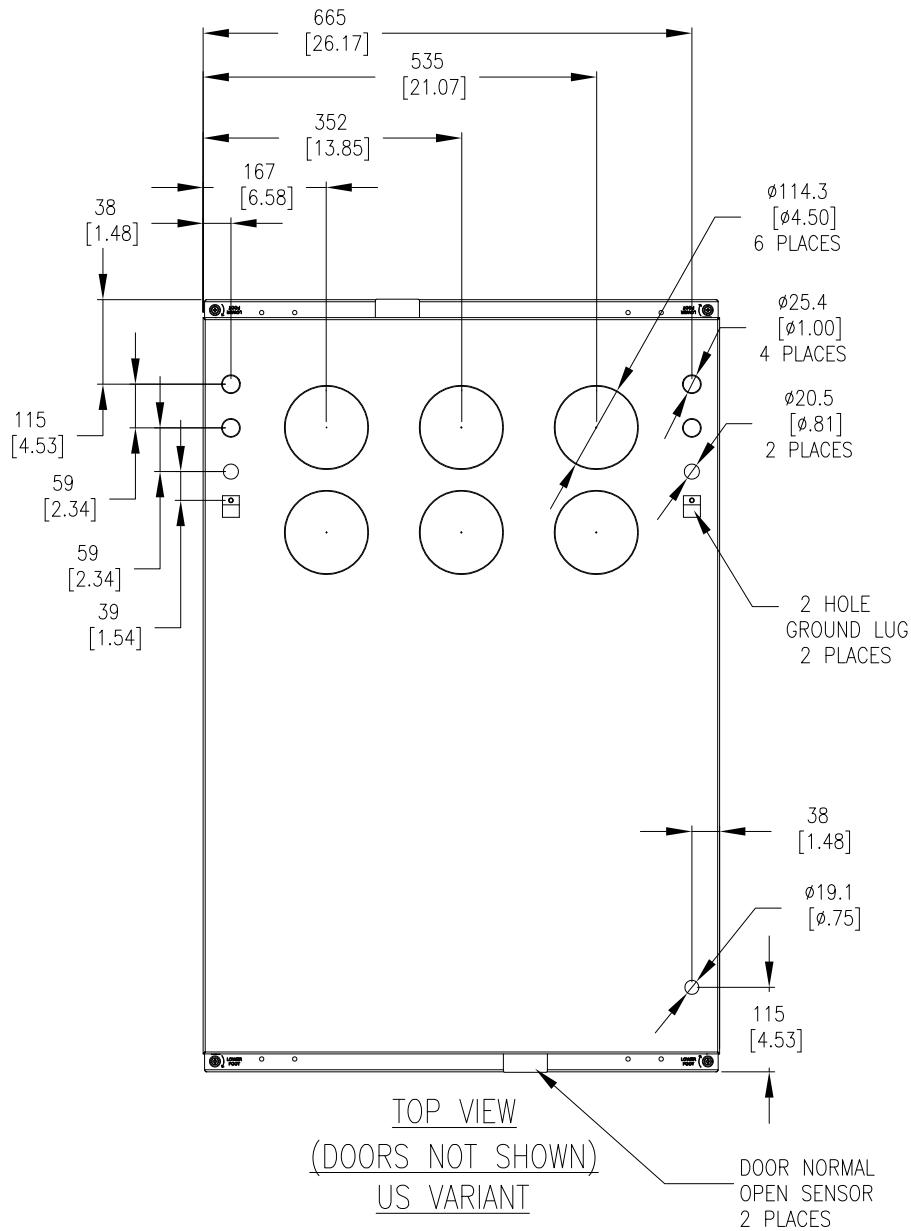
THIS DRAWING AND SPECIFICATIONS HEREIN ARE THE PROPERTY OF SCHNEIDER ELECTRIC AND SHALL NOT BE COPIED, REPRODUCED OR USED IN WHOLE OR IN PART, AS THE BASIS FOR THE MANUFACTURE OR SALE OF ITEMS WITHOUT WRITTEN PERMISSION FROM SCHNEIDER ELECTRIC. THIS DRAWING IS BASED UPON LATEST AVAILABLE INFORMATION AND IS SUBJECT TO CHANGE WITHOUT NOTICE.



TITLE:  
IDF 42U ENCLOSURE WITH SIDES  
700mm WIDE x 1070mm DEEP  
MAIN MECHANICAL

PROJECT: SUBMITTAL DRAWINGS SHEET 1 OF 3

DWG NO:	ARXXXX_IDF_42U	REV	E5
DRAWN:	KIRK SHI	12-JAN-22	THIRD ANGLE PROJECTION
ENGINEER:	KIRK SHI	12-JAN-22	
APPROVED:	-	-	



**NOTES:**

1. INSTALLATION MUST COMPLY WITH NATIONAL AND LOCAL ELECTRICAL REGULATIONS.
2. PLEASE REFER TO PRODUCT MANUALS FOR ADDITIONAL DETAILS
3. ALL DIMENSIONS ARE IN MILLIMETERS, UNLESS OTHERWISE SPECIFIED.

THIS DRAWING AND SPECIFICATIONS HEREIN ARE THE PROPERTY OF SCHNEIDER ELECTRIC AND SHALL NOT BE COPIED, REPRODUCED OR USED IN WHOLE OR IN PART, AS THE BASIS FOR THE MANUFACTURE OR SALE OF ITEMS WITHOUT WRITTEN PERMISSION FROM SCHNEIDER ELECTRIC. THIS DRAWING IS BASED UPON LATEST AVAILABLE INFORMATION AND IS SUBJECT TO CHANGE WITHOUT NOTICE.



TITLE:  
IDF 42U ENCLOSURE WITH SIDES  
700mm WIDE x 1070mm DEEP  
TOP VIEW

PROJECT: SUBMITTAL DRAWINGS SHEET 2 OF 3

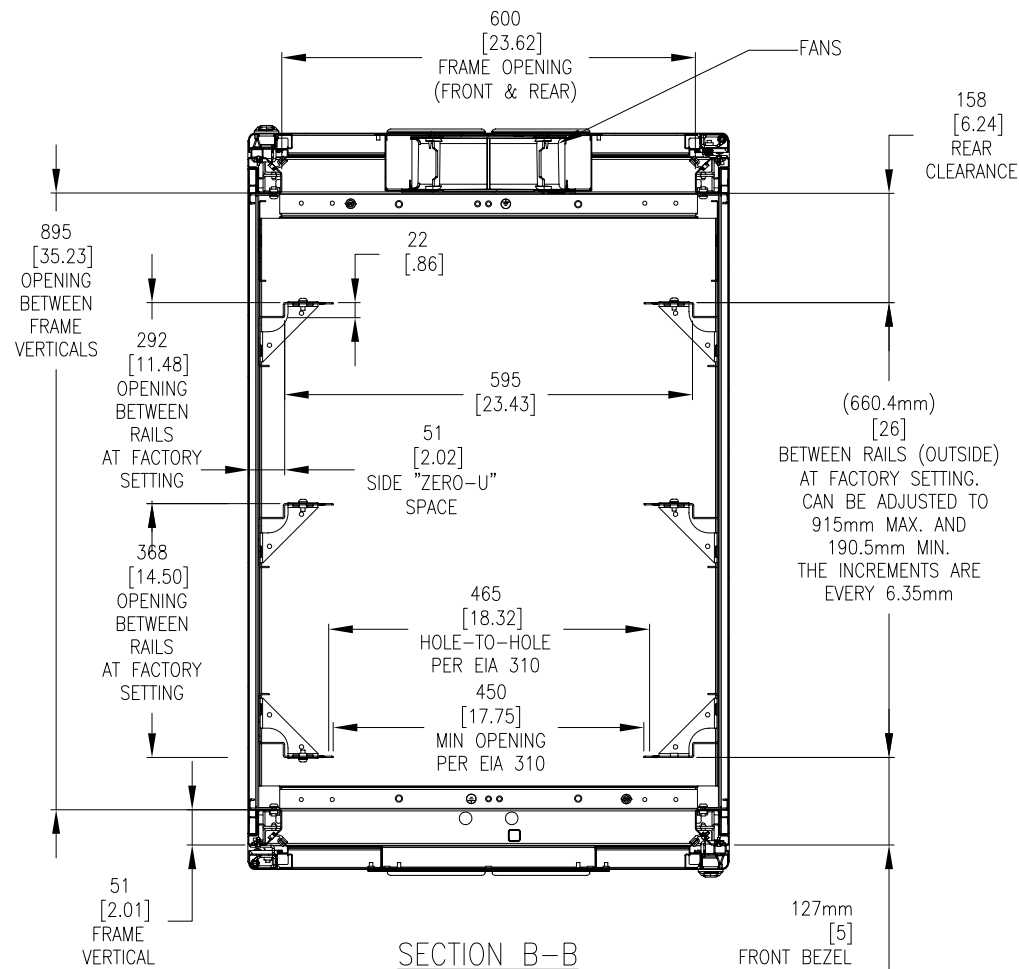
DWG NO: ARXXXX\_IDF\_42U

DRAWN: KIRK SHI 12-JAN-22  
ENGINEER: KIRK SHI 12-JAN-22

APPROVED: - -

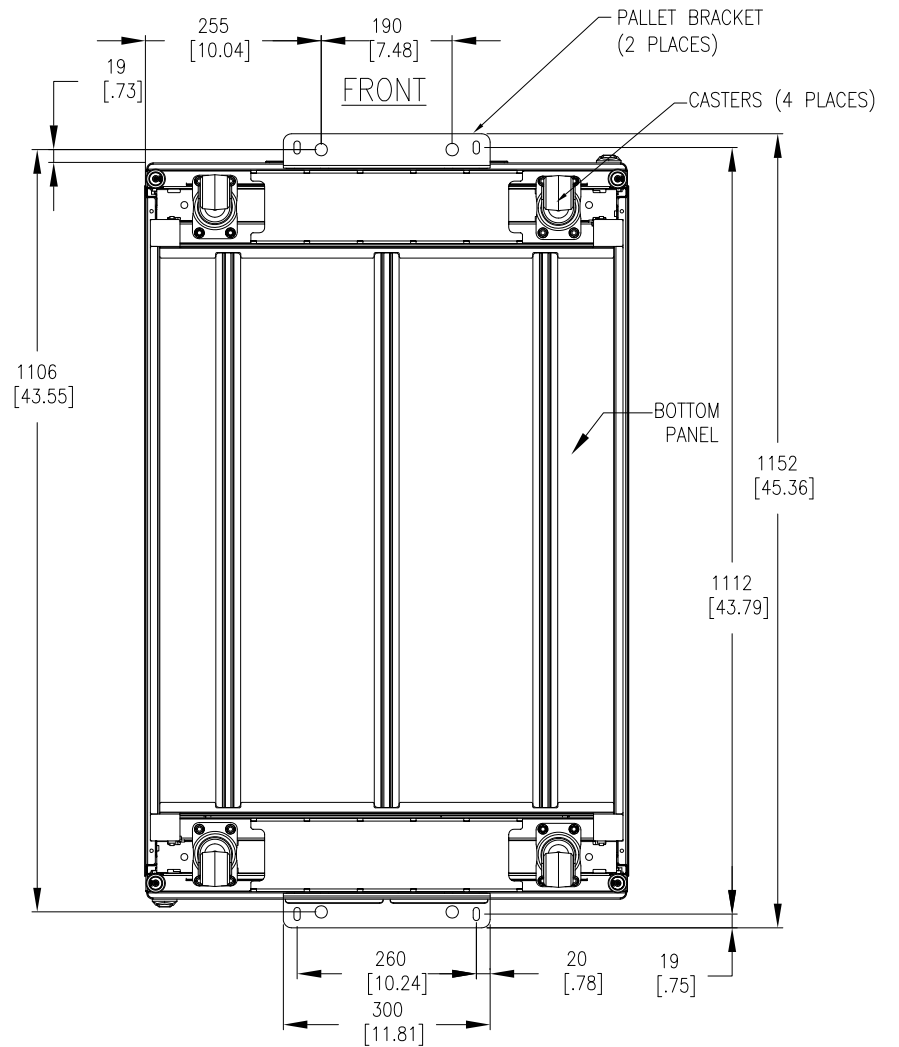
REV E5

THIRD ANGLE PROJECTION



**SECTION B-B**  
 STANDARD POSITIONS FOR  
 MOUNTING RAILS AND  
 THEIR ADJUSTABILITY  
 (LOOKING DOWN)

127mm [5]  
 FRONT BEZEL  
 CLEARANCE  
 CAN BE ADJUSTED TO  
 800mm MAX. AND  
 57.8mm MIN.  
 THE INCREMENTS  
 ARE EVERY 6.35mm



**BOTTOM VIEW**  
 (WITH PALLET BRACKETS)  
 CAN BE USED FOR ANCHORING))

**NOTES:**

1. INSTALLATION MUST COMPLY WITH NATIONAL AND LOCAL ELECTRICAL REGULATIONS.
2. PLEASE REFER TO PRODUCT MANUALS FOR ADDITIONAL DETAILS
3. ALL DIMENSIONS ARE IN MILLIMETERS, UNLESS OTHERWISE SPECIFIED.

THIS DRAWING AND SPECIFICATIONS HEREIN ARE THE PROPERTY OF SCHNEIDER ELECTRIC AND SHALL NOT BE COPIED, REPRODUCED OR USED IN WHOLE OR IN PART, AS THE BASIS FOR THE MANUFACTURE OR SALE OF ITEMS WITHOUT WRITTEN PERMISSION FROM SCHNEIDER ELECTRIC. THIS DRAWING IS BASED UPON LATEST AVAILABLE INFORMATION AND IS SUBJECT TO CHANGE WITHOUT NOTICE.



TITLE:  
 IDF 42U ENCLOSURE WITH SIDES  
 700mm WIDE x 1070mm DEEP  
 BOTTOM VIEW

DWG NO: ARXXXX\_IDF\_42U REV: E5

DRAWN: KIRK SHI 12-JAN-22  
 ENGINEER: KIRK SHI 12-JAN-22

PROJECT: SUBMITTAL DRAWINGS SHEET 3 OF 3

APPROVED: - - THIRD ANGLE PROJECTION