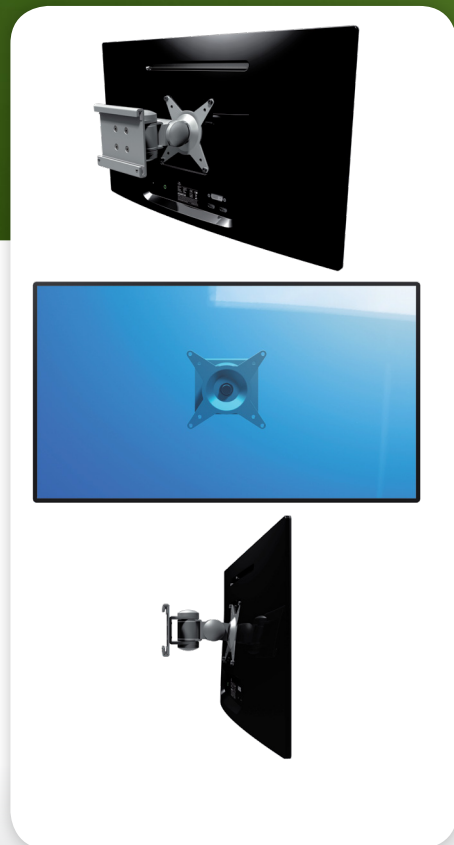


52.132

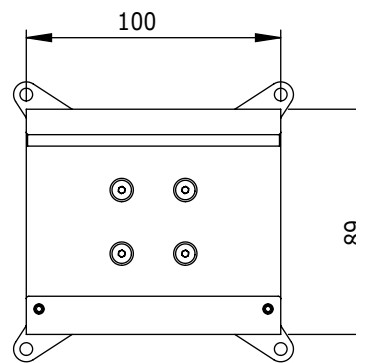
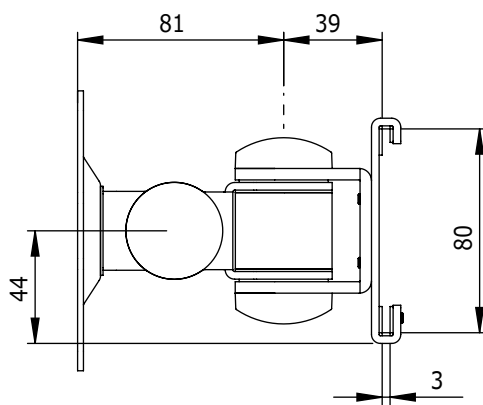
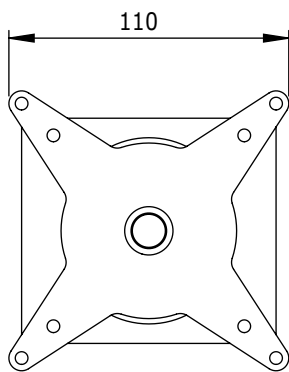
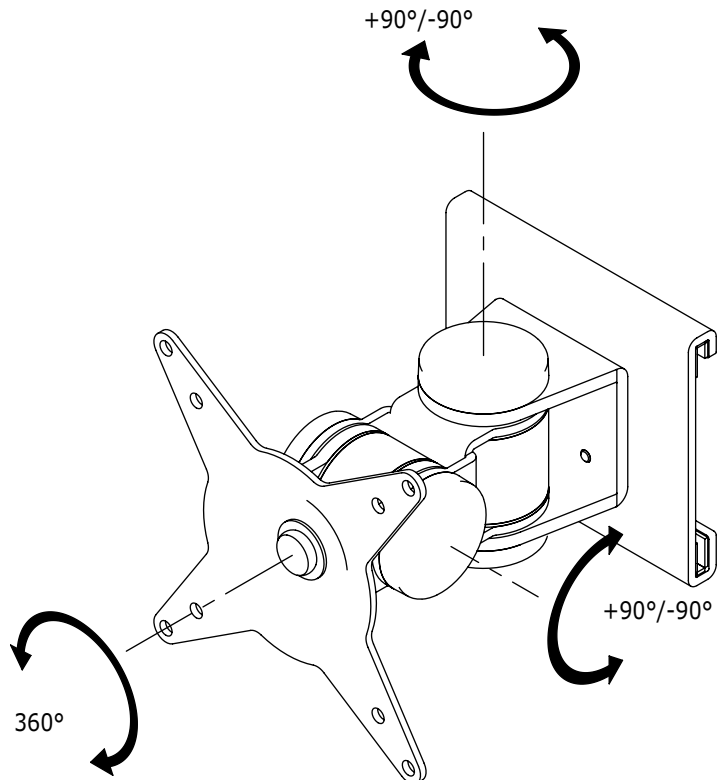
ViewMate Style Toolbar Mount 132














This short monitor arm is made of sturdy joints connected to a VESA mounting plate that holds monitors up to 15kg. Swivels left and right, tilts up and down and rotates 360 degrees. Ideally suitable as a centre monitor holder in a triple or quad parabolic monitor setup. Its horizontal glide ensures easy placement anywhere along the toolbar.

- Multi-pivot arm
- Mounts a single monitor to the ViewMate Style toolbar rail
- Simply slides onto the toolbar rail
- Comes with all necessary fasteners
- Max. weight capacity of 15kg/monitor (up to 24"/24"W)
- Rotate 360°, tilt +90°/-90°, swivel +90°/-90°
- Compatible with VESA patterns 75x75/100x100mm MIS-D
- 120mm clearance between monitor and rail



 viewmate



	DFX.# 52.132		52.112		24"W/61cm		15kg		0mm		180°		180°		360°		75/100mm
	silver		140 x 140 x 170mm		1,3kg		805410521325										

Dealer