

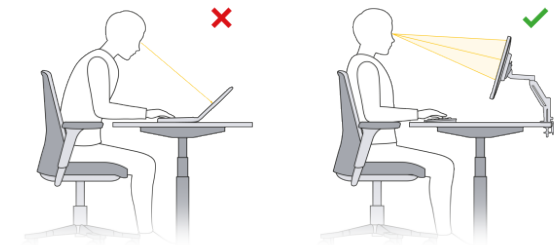
## BE Flexible Single



Easy to install, adjust and with lifetime guarantee this is the best monitor arm we've ever made!

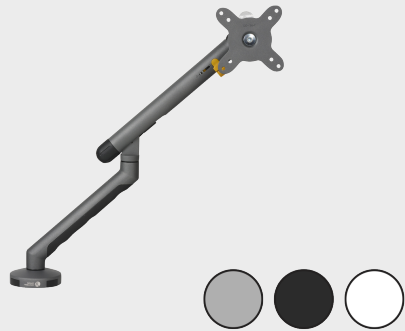
### The monitor arm at its best

The BE Flexible is as a monitor arm should be, quick and very easy to install, equipped with the latest innovative technology and also made of 72% recycled material and is 100% recyclable! Everything you need for your ideal workplace.



### Ergonomic background

Placing the screen too low can lead to tension in the upper neck. Placing it too high (the top should not be above eye level) can also lead to problems. Even more important is the adjustability of the depth, ensuring an optimal viewing distance. This allows you to better take in information and puts the least amount of strain on the eyes. This optimal screen position works better, more comfortably and increases productivity by 10% when compared to an incorrect positioning (Sommerich et al,1998).



## BE Flexible Monitorarm Single Dark Grey

### Article code

BNEBFSDG

### Barcode/ EAN-code on product package

8719274677000

### Guarantee period [years]

Lifelong (after registration)

Click or scan for more  
information >



### Available documents

Manual available	Yes
Manual in package	Yes
Manual language	Universal
Technical drawing available	Yes

### Product dimensions

Product weight [g]	2300
Product dimension length [mm]	98
Product dimension width [mm]	387
Product dimension height [mm]	485

### Battery & accu information

Battery needed?	No
-----------------	----

### Height settings

Height adjustment	Yes
Type of height adjustment	Mechanic
Height steplessly adjustable	Yes

### Depth settings

Depth adjustment	Yes
Depth of minimum position [mm]	170
Depth of maximum position [mm]	582

### Tiltable settings

Tiltable (up or down)	Yes
Tiltable degrees	180

### Package

Package weight including product [g]	3060
Package dimension length [mm]	440
Package dimension width [mm]	211
Package dimension height [mm]	125

### Product design

Product colour(s)	Dark Grey, Black
Maximum permitted weight [kg]	10
Cable management included	Yes
Suitable for laptop or screen size (inch)	17-35" (for flat screen), 17-32" (for curved screen)
Package content	Monitor Arm part(s), Clamps, Allen key, Manual
Clamp range maximum [mm]	80

### Material product

Product material(s)	Aluminium, Steel, Plastic (ABS), Plastic (TPR), Plastic (PA6)
Product Recycled %	72
Product recyclable %	100
Product biodegradable	No

### Package material

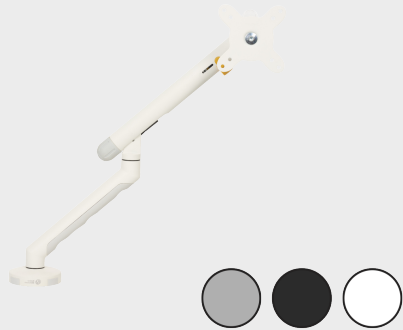
Package material (s)	Paper/ Carton
Package recycled %	100
Package recyclable %	100
Package biodegradable	Yes
Package biodegradable %	100

### Monitor arms

Mounting(s) included in the box	Desk clamp, Bolth through
Rotation (landscape or portrait)	Yes
Rotation degrees	360
Pan (left or right)	Yes
Pan degrees	180
Rotation stop?	No
Suitable for amount of screens	1
Expandable for multiple screens	No
Vesa sizes	75x75, 100x100
Static or dynamic	Dynamic

### Ergonomics, environment & quality

Declaration of Sustainability	<a href="#">be-declaration-of-sustainability-be-flexible-1712308974.pdf</a>
-------------------------------	-----------------------------------------------------------------------------



## BE Flexible Monitorarm Single White

### Article code

BNEBFSW

### Barcode/ EAN-code on product package

8719274677024

### Guarantee period [years]

Lifelong (after registration)

Click or scan for more  
information >



### Available documents

Manual available	Yes
Manual in package	Yes
Manual language	Universal
Technical drawing available	Yes

### Product dimensions

Product weight [g]	2300
Product dimension length [mm]	98
Product dimension width [mm]	387
Product dimension height [mm]	485

### Height settings

Height adjustment	Yes
Type of height adjustment	Mechanic
Height steplessly adjustable	Yes

### Depth settings

Depth adjustment	Yes
Depth of minimum position [mm]	170
Depth of maximum position [mm]	582

### Tiltable settings

Tiltable (up or down)	Yes
Tiltable degrees	180

### Package

Package weight including product [g]	3060
Package dimension length [mm]	440
Package dimension width [mm]	211
Package dimension height [mm]	125

### Product design

Product colour(s)	White, Light Grey
Maximum permitted weight [kg]	10
Cable management included	Yes
Suitable for laptop or screen size (inch)	17-35" (for flat screen), 17-32" (for curved screen)
Package content	Monitor Arm part(s), Clamps, Allen key, Manual
Clamp range maximum [mm]	80

### Material product

Product material(s)	Aluminium, Steel, Plastic (ABS), Plastic (TPR), Plastic (PA6)
Product Recycled %	72
Product recyclable %	100
Product biodegradable	No

### Package material

Package material (s)	Paper/Carton
Package recycled %	100
Package recyclable %	100
Package biodegradable	Yes
Package biodegradable %	100

### Battery & accu information

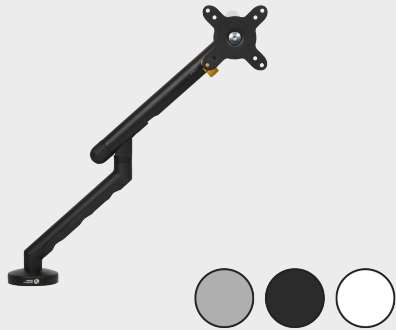
Battery needed?	No
-----------------	----

### Monitor arms

Mounting(s) included in the box	Desk clamp, Bolth through
Rotation (landscape or portrait)	Yes
Rotation degrees	360
Pan (left or right)	Yes
Pan degrees	180
Rotation stop?	No
Suitable for amount of screens	1
Expandable for multiple screens	No
Vesa sizes	75x75, 100x100
Static or dynamic	Dynamic

### Ergonomics, environment & quality

Declaration of Sustainability	<a href="#">be-declaration-of-sustainability-be-flexible-1712309107.pdf</a>
-------------------------------	-----------------------------------------------------------------------------



## BE Flexible Monitorarm Single Black

### Article code

BNEBFSB

### Barcode/ EAN-code on product package

8719274677017

### Guarantee period [years]

Lifelong (after registration)

Click or scan for more  
information >



### Available documents

Manual available	Yes
Manual in package	Yes
Manual language	Universal
Technical drawing available	Yes

### Product dimensions

Product weight [g]	2300
Product dimension length [mm]	98
Product dimension width [mm]	387
Product dimension height [mm]	485

### Height settings

Height adjustment	Yes
Type of height adjustment	Mechanic
Height steplessly adjustable	Yes

### Depth settings

Depth adjustment	Yes
Depth of minimum position [mm]	170
Depth of maximum position [mm]	582

### Tiltable settings

Tiltable (up or down)	Yes
Tiltable degrees	180

### Package

Package weight including product [g]	3060
Package dimension length [mm]	440
Package dimension width [mm]	211
Package dimension height [mm]	125

### Product design

Product colour(s)	Black
Maximum permitted weight [kg]	10
Cable management included	Yes
Suitable for laptop or screen size (inch)	17-35" (for flat screen), 17-32" (for curved screen)
Package content	Monitor Arm part(s), Clamps, Allen key, Manual
Clamp range maximum [mm]	80

### Material product

Product material(s)	Aluminium, Steel, Plastic (ABS), Plastic (TPR), Plastic (PA6)
Product Recycled %	72
Product recyclable %	100
Product biodegradable	No

### Package material

Package material (s)	Paper/Carton
Package recycled %	100
Package recyclable %	100
Package biodegradable	Yes
Package biodegradable %	100

### Battery & accu information

Battery needed?	No
-----------------	----

### Monitor arms

Mounting(s) included in the box	Desk clamp, Bolth through
Rotation (landscape or portrait)	Yes
Rotation degrees	360
Pan (left or right)	Yes
Pan degrees	180
Rotation stop?	No
Suitable for amount of screens	1
Expandable for multiple screens	No
Vesa sizes	75x75, 100x100
Static or dynamic	Dynamic

### Ergonomics, environment & quality

Declaration of Sustainability	<a href="#">be-declaration-of-sustainability-be-flexible-1712309017.pdf</a>
-------------------------------	-----------------------------------------------------------------------------