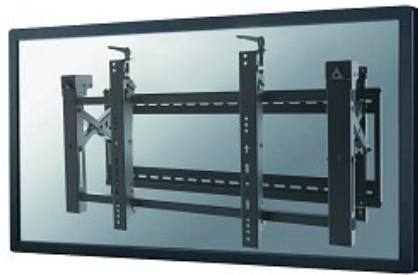




**THE BEST SUPPORT
FOR YOUR AV & IT HARDWARE**
T: + 31(0)23-5478888 | E: info@newstar.eu | W: www.newstar.eu

LED-VW2000BLACK NEWSTAR FLAT SCREEN WALL MOUNT

Newstar Video Wall Monitor Wall Mount for
32"-75" Screen - Black



SPECIFICATIONS

Color	Black
Distance to wall	12 - 30 cm
Height adjustment	None
Max. screen size	75
Max. weight	70
Min. screen size	32
Min. weight	0
Screens	1
Type	Fixed
VESA maximum	600x400 mm
VESA minimum	200x200 mm
Warranty	5 year
EAN code	8717371445522

The NewStar wall mount, model LED-VW2000BLACK is a fixed wall mount for flat screens up to 75" (191 cm). This mount is a great choice when you want the ultimate viewing flexibility with your flat screen. Depth of this mount is 14 to 30 centimetres. This wall mount is specially made to be used in video walls. The screen easily can be pulled out.

NewStar LED-VW2000BLACK is suitable for flat screens up to 75" (191 cm). The weight capacity of this product is 70 kg each screen. The wall mount is suitable for screens that meet VESA hole pattern 200x200 to 600x400mm.

Create a clean design videowall presentation with the NewStar LED-VW2000BLACK videowall mount solution!

- Pop-out Video Wall Mount
- Pop-out function allows quick release for access
- Lateral shift brackets enable fast alignment
- Micro-adjustment at 8 points for seamless display alignment and level
- Lock and unlock switch knob help to lock/release display out of the pop-out module
- Kickstand provides 12° of tilt for easy cable management and maintenance
- Anti-theft design for additional security (require for a padlock)
- Protects displays by removing the possibility of accidental pop-outs via the plastic locking pieces.

All installation material is included with the product.

NewStar Products Europe B.V.
Wateringweg 62/B
2031 EJ HAARLEM
THE NETHERLANDS

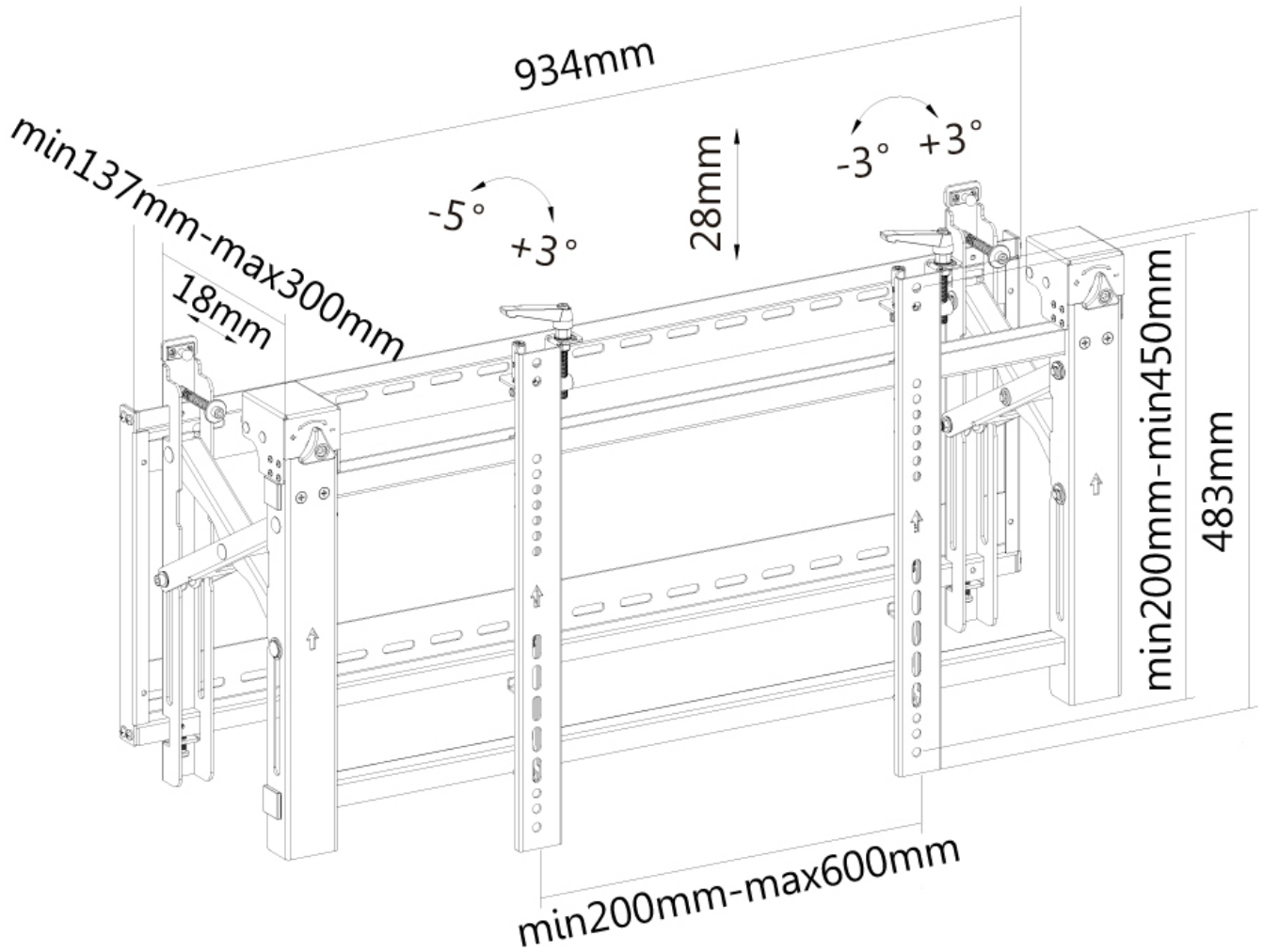
Phone : +31(0)23-5478888
Fax : +31(0)23-5478889
Email : info@newstar.nl
Website : www.newstar.eu

NewStar cannot be held liable for any inaccuracies and copyrights.
No part of this publication may be reproduced and/or published by print, photocopy, microfilm or in any other way, without prior written permission of
NewStar Computer Products Europe BV.



**THE BEST SUPPORT
FOR YOUR AV & IT HARDWARE**
T: + 31(0)23-5478888 | E: info@newstar.eu | W: www.newstar.eu

LED-VW2000BLACK NEWSTAR FLAT SCREEN WALL MOUNT



NewStar Products Europe B.V.
Wateringweg 62/B
2031 EJ HAARLEM
THE NETHERLANDS

Phone : +31(0)23-5478888
Fax : +31(0)23-5478889
Email : info@newstar.nl
Website : www.newstar.eu

NewStar cannot be held liable for any inaccuracies and copyrights.
No part of this publication may be reproduced and/or published by print, photocopy, microfilm or in any other way, without prior written permission of NewStar Computer Products Europe BV.