



LU935ST

BenQ DLP Projector

- 5500AL Laser Light source
- Short Throw with Large H/ V Lens Shift and Corner fit
- 360° and Portrait Projection Accommodate Different Spaces
- Fast Mode < 16.67 ms Low Latency (@ WUXGA/60Hz)
- Exclusive Golf Mode for Vivid Greens and Blues
- 4K UHD Input Compatible with HDMI 2.0
- 3D Sync In and Out
- 5 Years Warranty



Display

Projection System	DLP Single 0.48" WUXGA
DMD type	DC3 DMD Chip
Native Resolution	1920x1200 pixels
Brightness	5500 ANSI Lumens
Contrast Ratio*	3,000,000:1
Display Color	30 Bits (1.07 billion colors)
Aspect Ratio	Native 16:10 (5 aspect ratio selectable)
Light Source	Laser
Light Source life*	20,000 (Normal/Eco)

Optical

Throw Ratio	0.81 ~ 0.89
Zoom Ratio	1.1x
Lens Control	Manual Zoom and Focus
Lens shift	Manual lens shift, V: ±60 %; H: ±23 %
Keystone Correction	2D keystone, V: ±30 degree; H: ±30 degree
Projection Offset	NA
Projection Size	30" ~ 300"

Audio

Built-in Speaker	10W
------------------	-----

Special Feature

Security(anti-theft)	Security Bar
Feature	Large lens shift, Projector/ Remote Control ID Setting, HDBaseT, LAN Control, 360°Projection, Portrait, Fast Mode, 3D sync in and out, white balance adjustment

Compatibility

Resolution Support	VGA(640 x 480) to WUXGA_RB(1920 x 1200), *RB-Reduced Blanking *4K input compatible
Horizontal Frequency	15~102KHz
Vertical Scan Rate	24 ~120 Hz
HDTV Compatibility	480i, 480p, 576i, 576p, 720p, 1080i, 1080p
Video Compatibility	NTSC, PAL, SECAM

Power

Power Consumption (Max/Normal/Eco)	Max 495W/ Normal 440W/ Eco 315W
Standby Power Consumption	Normal < 0.5W, Network <2W
Power Supply	100 ~ 240V AC

Dimension and Weight

Product Dimensions (WxHxD)	416x166 x 351 mm
Product Weight	7.0 Kg

Operation Condition

Noise Level(Normal/Eco)	32/39 dBA
Operating Temperature	0 ~ 40°C

Accessories

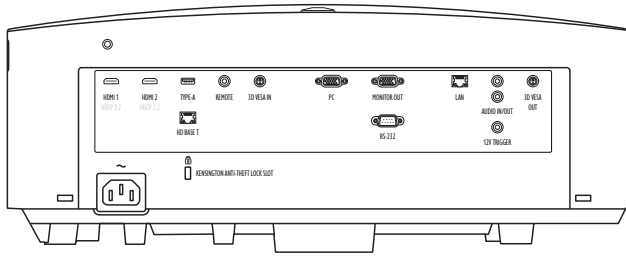
Accessories (Standard)	Power Cord, Remote control (RCA011), AAA Batteryx2, Installation Guide/Regulatory, Statement(Combined), Warranty card (by sku)
Accessories (Optional)	Ceiling mount (CMG3), 3D glasses

OSD

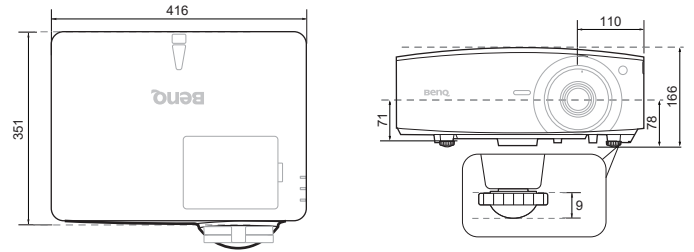
On Screen Display Language	Arabic/ Bulgarian/ Croatian/ Czech/ Danish/ Dutch/ English/ Finnish/ French/ German/ Greek/ Hindi/ Hungarian/ Italian/ Indonesian/ Japanese/ Korean/ Norwegian /Persian/ Polish/ Portuguese/ Romanian/ Russian/ Simplified Chinese/ Spanish/ Swedish/ Turkish/ Thai/ Traditional Chinese/ Vietnam (30 languages)
----------------------------	--

* LightSource life results will vary depending on environmental conditions and usage. Actual product's features and specifications are subject to change without notice.
 * The Contrast is measure by Full On Full Off standard.

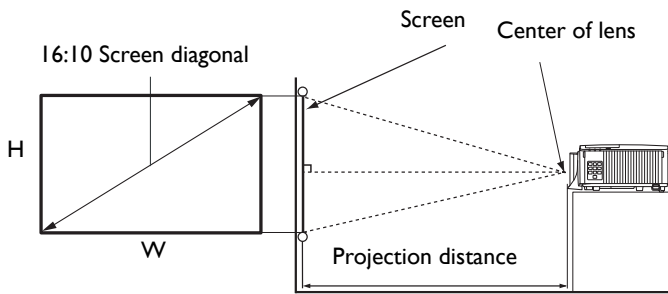
INPUT AND OUTPUT TERMINALS



DIMENSIONS



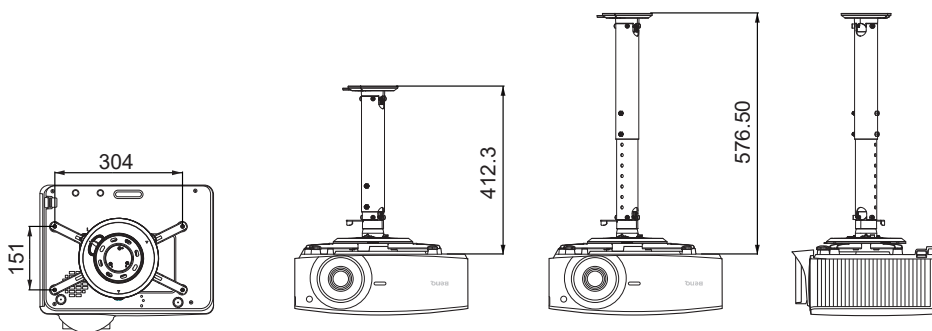
PROJECTION DIMENSIONS



DISTANCE CHART

SCREEN SIZE				PROJECTION DISTANCE (MM)		
Diagonal		H (mm)	W (mm)	Min Distance (max. zoom)	Average	Max Distance (min. zoom)
Inch	mm					
30	762	646	404	523	549	575
40	1016	862	538	698	732	767
50	1270	1077	673	872	915	958
60	1524	1292	808	1047	1098	1150
80	2032	1723	1077	1396	1465	1534
90	2286	1939	1212	1570	1648	1725
100	2540	2154	1346	1745	1831	1917
110	2794	2369	1481	1919	2014	2109
120	3048	2585	1615	2094	2197	2300
130	3302	2800	1750	2268	2380	2492
140	3556	3015	1885	2443	2563	2684
150	3810	3231	2019	2617	2746	2875
160	4064	3446	2154	2791	2929	3067
170	4318	3662	2289	2966	3112	3259
180	4572	3877	2423	3140	3295	3451
190	4826	4092	2558	3315	3479	3642
200	5080	4308	2692	3489	3662	3834
250	6350	5385	3365	4362	4577	4792
300	7620	6462	4039	5234	5492	5751

CEILING / WALL MOUNT CHART



BenQ ceiling mount CMG3 (5JJAM10.001)
 Ceiling mount screw: M4
 (Max. L = 25 mm; Min. L = 20 mm)

Unit: mm



business-display.benq.eu

BenQ

© 2021 BenQ Corp. Specifications may vary by region, please visit your local stores for details. Actual product's features and specifications are subject to change without notice. This material may include corporate names and trademarks of third parties which are the properties of the third parties respectively.