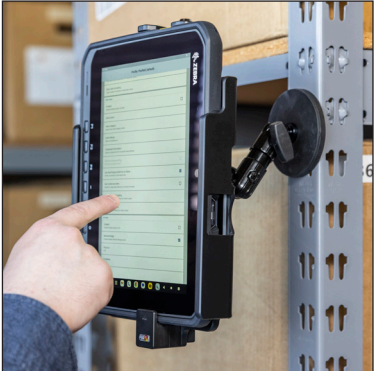


# PEDESTAL MOUNTS

**SUPER STRONG MOUNTING SOLUTIONS  
FOR INSTALLATION OF HEAVIER DEVICES**










# TABLE OF CONTENTS

---

<b>PAGE</b>	<b>PRODUCT</b>
4	HEAVY DUTY PEDESTAL MOUNTS WITH SMALL TEETH
6	HEAVY DUTY PEDESTAL MOUNTS WITH LARGE TEETH
11	LIGHT WEIGHT PEDESTAL MOUNTS WITH SWIVELING TOP
12	SOLUTIONS FOR ZEBRA MACHINE VISION
16	HEAVY & STANDARD DUTY PEDESTAL BALL MOUNTS
18	PIPE MOUNTS
22	U-MOUNTS
23	FORKLIFT CLAMP MOUNTS
26	SUCTION CUP MOUNTS
27	WORKSTATION MOUNTS
28	MULTIMOVECLIP
29	AMPS, DIN AND VESA MOUNTING PLATES
30	VIBRATION DAMPERS
31	MODTEK SYSTEM

## **SYMBOL PRODUCT COMPABILITY**

---

-  PRODUCT IS COMPATIBLE WITH SQUARE BASE/TOP
-  PRODUCT IS COMPATIBLE WITH ROUND BASE/TOP
-  PRODUCT IS COMPATIBLE WITH CABLE ENTRY
-  PRODUCT IS COMPATIBLE WITH MOUNTS WITH SMALL TEETH
-  PRODUCT IS COMPATIBLE WITH MOUNTS WITH LARGE TEETH
-  PRODUCT HAS A SWIVELING FEATURE
-  PRODUCT IS EQUIPPED WITH WINGNUT

# PEDESTAL MOUNTS

## SUPER STRONG MOUNTING SOLUTIONS FOR INSTALLATION OF HEAVIER DEVICES

- A modular system for a stable and strong installation of heavier devices
- Provides improved working environment with device within easy reach
- For use in any vehicle, flat surface, round pole or pipe, square rod
- Durable products with low weight, that withstand a lot of weight
- Contact Brodit for customized solutions on special projects
- Standard holes for easy attachment of a device holder
- Complete sets, or mix and match your own solution
- Heavy duty and standard duty range
- For professional everyday use
- Discreet design, color: black
- Solid and hollow range
- Made of aluminum
- Made in Sweden





## HEAVY DUTY PEDESTAL MOUNTS WITH WINGNUTS



- A versatile heavy duty Pedestal Mount with wingnuts which allow for easy adjustment
- The joints are super strong thanks to the small interlocking teeth
- The small interlocking teeth can be angled in 0-180° (16 positions in steps of 11,25°)
- Rod diameter 30 mm, solid rod
- Made of aluminum
- Square base/top: 50x50 mm with dual 4 mm AMPS holes
- Round base/top: diameter 64 mm with multiple 4 mm AMPS holes, radial adjustment

WITH SMALL TEETH



215836 215837 215838 215937 216153 215839 215840 215863 215864 215865 216160 216361

### HEAVY DUTY PEDESTAL MOUNT WITH WINGNUTS, ROUND BASE & SQUARE TOP

Item no.	Product	Total length	Holes
<b>215836</b>	Pedestal Mount 2"	62 mm	Dual 4 mm AMPS+Multiple 4 mm AMPS
<b>215837</b>	Pedestal Mount 4"	114 mm	Dual 4 mm AMPS+Multiple 4 mm AMPS
<b>215838</b>	Pedestal Mount 6"	164 mm	Dual 4 mm AMPS+Multiple 4 mm AMPS
<b>215937</b>	Pedestal Mount 8"	214 mm	Dual 4 mm AMPS+Multiple 4 mm AMPS
<b>216153</b>	Pedestal Mount 10"	264 mm	Dual 4 mm AMPS+Multiple 4 mm AMPS



### HEAVY DUTY PEDESTAL MOUNT WITH WINGNUTS, ROUND BASE & ROUND TOP

Item no.	Product	Total length	Holes
<b>215839</b>	Pedestal Mount 2"	62 mm	Multiple 4 mm AMPS
<b>215840</b>	Pedestal Mount 4"	114 mm	Multiple 4 mm AMPS
<b>215863</b>	Pedestal Mount 6"	164 mm	Multiple 4 mm AMPS
<b>215864</b>	Pedestal Mount 8"	214 mm	Multiple 4 mm AMPS
<b>215865</b>	Pedestal Mount 10"	264 mm	Multiple 4 mm AMPS
<b>216160</b>	Pedestal Mount 7,5" rotatable	188 mm	Multiple 4 mm AMPS



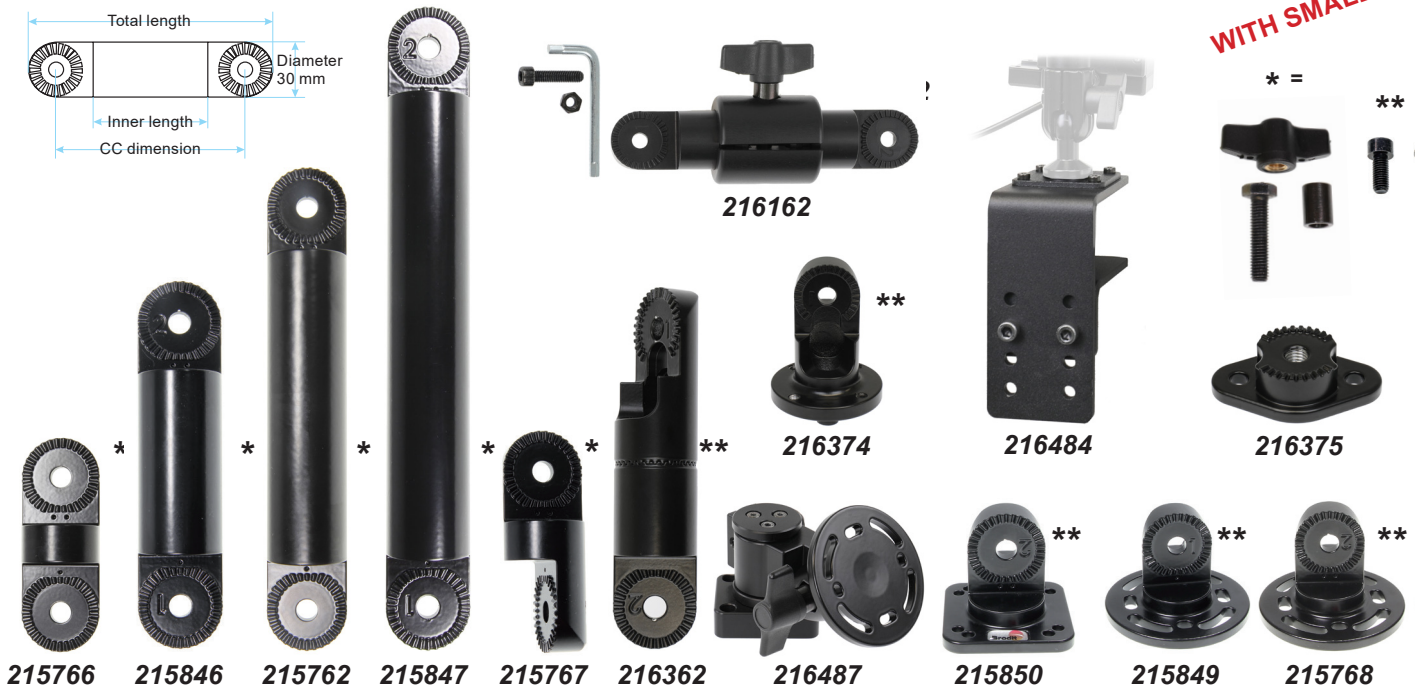
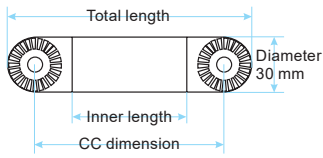
### HEAVY DUTY PEDESTAL MOUNT WITH WINGNUTS, SINGEL AMPS BASE & ROUND TOP

Item no.	Product	Total length	Holes
<b>216361</b>	Pedestal Mount 3,8"	97 mm	Single+Multiple 4 mm AMPS

# HEAVY DUTY EXTENSION PARTS WITH SMALL TEETH



- Create your own unique solution by combining various heavy duty Pedestal Mount parts
- The joints are super strong thanks to the small interlocking teeth, can be angled in 0-180° (16 positions in steps of 11,25°)
- Rod diameter 30 mm, solid rod
- Made of aluminum
- NOTE: Each part is marked 1 or 2. In order to make a straight design (angle 0°), you need to match a "part 1" with a "part 2". If you mount "part 1" onto "part 1", or "part 2" onto "part 2", it will not be possible to create a straight (angle 0°) design, but the parts will still be compatible. (Only applies for the heavy duty Pedestal Mounts with small interlocking teeth.)



## HEAVY DUTY EXTENSION ROD

Item no.	Product	Total length	Inner length	CC-dimension
215766	Extension rod 2"	82 mm	14 mm	52 mm
215846	Extension rod 4"	132 mm	64 mm	102 mm
215762	Extension rod 6"	182 mm	114 mm	152 mm
215847	Extension rod 8"	232 mm	164 mm	202 mm
215767	Extension rod 2", 90° angle	82 mm	14 mm	52 mm
216362	Extension rod 4" rotatable	132 mm	64 mm	102 mm
216162	Extension rod 5,5" rotatable	156 mm	64 mm	152 mm
216487	Single direction swivel for Pedestal Mount			



## HEAVY DUTY SQUARE BASE/TOP

Item no.	Product	Length	CC-dimension
215850	Base/top, square mounting plate 50x50 mm ("part 2") Dual 4 mm AMPS holes	46 mm	31 mm



## HEAVY DUTY ROUND BASE/TOP

Item no.	Product	Length	CC-dimension
215849	Base/top, round mounting plate 64 mm diameter ("part 1") Multiple 4 mm AMPS holes, radial adjustment	46 mm	31 mm
215768	Base/top, round mounting plate 64 mm diameter ("part 2") Multiple 4 mm AMPS holes, radial adjustment	46 mm	31 mm
216374	Round base singel hole 8,8 mm	65 mm	50 mm
216375	Single AMPS	15 mm	38 mm
216484	Desktop Clamp Mount for Pedestal Mount. Dual 4 mm AMPS holes		





## HEAVY DUTY PEDESTAL MOUNTS

- Set the heavy duty Pedestal Mount into desired angles
- The joints are super strong thanks to the large interlocking teeth
- The large interlocking teeth can be angled in 0-195° (8 positions in steps of 24°)
- Rod diameter 30 mm, solid rod
- Made of aluminum



WITH LARGE TEETH



### HEAVY DUTY PEDESTAL MOUNT WITH SQUARE BASE & TOP

- Mounting plate 50x50 mm with dual 4 mm AMPS holes

Item no.	Product	Total length	Holes
<b>215532</b>	Pedestal Mount 2"	62 mm	Dual 4 mm AMPS
<b>215525</b>	Pedestal Mount 4"	114 mm	Dual 4 mm AMPS
<b>215526</b>	Pedestal Mount 6"	164 mm	Dual 4 mm AMPS
<b>215533</b>	Pedestal Mount 8"	214 mm	Dual 4 mm AMPS
<b>215550</b>	Pedestal Mount 10"	264 mm	Dual 4 mm AMPS



### HEAVY DUTY PEDESTAL MOUNT WITH ROUND BASE & TOP

- Mounting plate diameter 64 mm with multiple 5 mm AMPS holes, radial adjustment

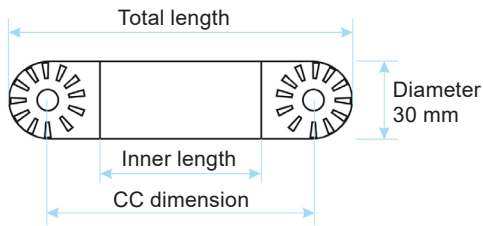
Item no.	Product	Total length	Holes
<b>215786</b>	Pedestal Mount 2"	62 mm	Multiple 5 mm AMPS, radial adjustm.
<b>215787</b>	Pedestal Mount 4"	114 mm	Multiple 5 mm AMPS, radial adjustm.
<b>215788</b>	Pedestal Mount 6"	164 mm	Multiple 5 mm AMPS, radial adjustm.
<b>215789</b>	Pedestal Mount 8"	214 mm	Multiple 5 mm AMPS, radial adjustm.
<b>215790</b>	Pedestal Mount 10"	264 mm	Multiple 5 mm AMPS, radial adjustm.



# HEAVY DUTY EXTENSION PARTS WITH LARGE TEETH



- Create your own unique solution by combining various heavy duty Pedestal Mount parts
- The joints are super strong thanks to the large interlocking teeth, can be angled in 0-195° (8 positions in steps of 24°)
- Rod diameter 30 mm, solid rod
- Made of aluminum



WITH LARGE TEETH



## HEAVY DUTY EXTENSION ROD

Item no.	Product	Total length	Inner length	CC-dimension
<b>215515</b>	Extension rod 2"	82 mm	14 mm	52 mm
<b>215514</b>	Extension rod 4"	132 mm	64 mm	102 mm
<b>215534</b>	Extension rod 6"	182 mm	114 mm	152 mm
<b>215549</b>	Extension rod 8"	232 mm	164 mm	202 mm
<b>215724</b>	Extension rod 2", 90° angle	82 mm	14 mm	52 mm
<b>215674</b>	Extension rod 4", rotatable	132 mm	64 mm	102 mm



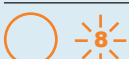
## HEAVY DUTY SQUARE BASE/TOP

Item no.	Product	Total length	CC-to surface
<b>215516</b>	Base/top, square mounting plate 50x50 mm Dual 4 mm AMPS holes	46 mm	31 mm



## HEAVY DUTY ROUND BASE/TOP

Item no.	Product	Total length	CC-to surface
<b>215785</b>	Base/top, round mounting plate 46 mm diameter Multiple 5 mm AMPS holes, radial adjustment	46 mm	31 mm





## MOUNTING BASE PLATES



215522

\*



215807

\*

\* =  
 ○ ○  
 ○ ○  
 T T T T



### ROUND MOUNTING/BASE PLATE

- Made of ABS plastic
- Thickness 9 mm

Item no.	Product	Diameter	Holes
215522	Round mounting plate	100 mm	M4 AMPS holes + 6x6,5 mm holes
215807	Round mounting plate	200 mm	M4 AMPS holes



## WINGNUTS & SCREWS



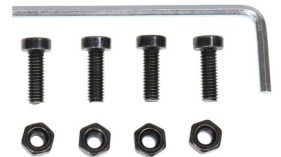
215670



215535



216535



215591

### WINGNUTS & SCREWS

- For use on all heavy duty Pedestal Mounts (NOT for standard duty Pedestal Mounts)

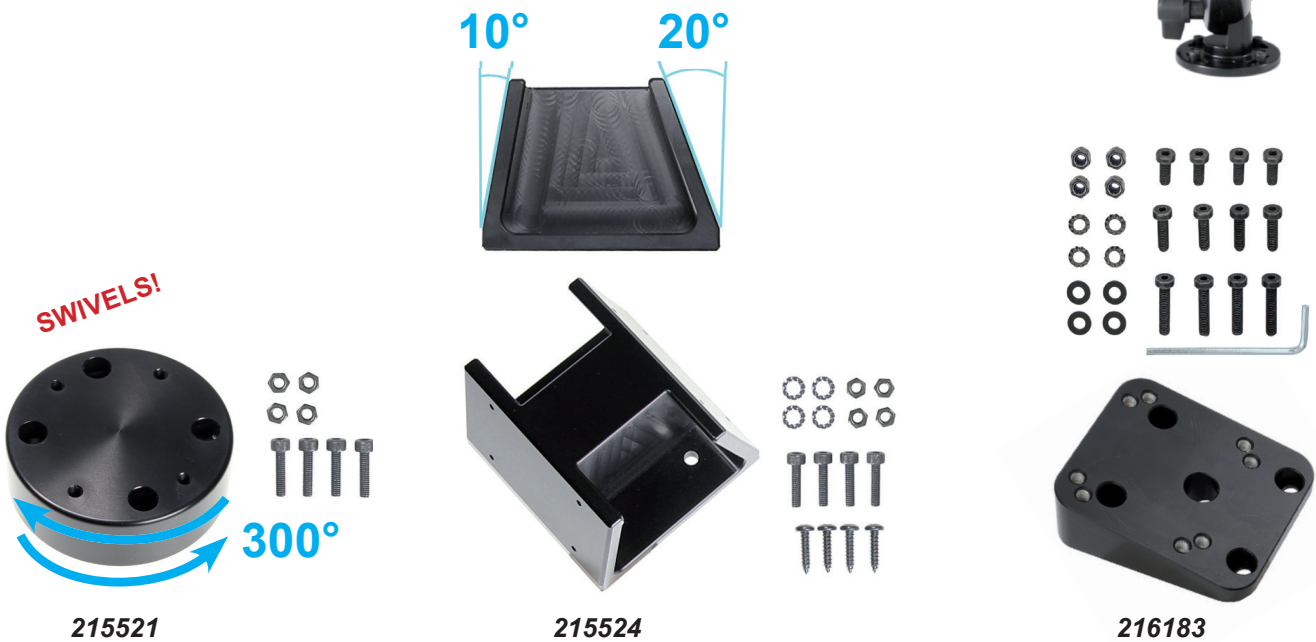
Item no.	Product
215670	Wing nuts. Replaces standard nuts on heavy duty Pedestal Mounts (2 pcs)
215535	Screws. 2 screws + 2 nuts + 1 Allen key. For heavy duty Pedestal Mounts. Color: Black
216535	Screws. 2 stainless steel screws + 2 nuts + 1 Allen key. For heavy duty Pedestal Mounts.
215591	Screws. 4 screws M4 x 12 mm + 4 nuts + 1 Allen key. Color: Black







## MOUNTING TOPS



### SWIVELING TOP PLATE

- For installation of equipment that needs to be turned for use from different directions
- Made of aluminum
- Swivels 300°. Diameter 64 mm. Thickness 22 mm

Item no.	Product	Holes
215521	Swiveling top plate, adjustable in fixed steps	M4 AMPS holes + 4x4 mm holes



### ANGLED TOP PART

- For installation of two devices back to back, for example a payment terminal and a printer
- Dimensions 64x64x46 mm (L+W+H), mounting surfaces are angled 10° and 20°
- Made of Acetal plastic

Item no.	Product	Holes
215524	Angled top part 10° and 20°	Dual 2 mm AMPS + 4 mm AMPS + 1x8 mm hole



### ANGLED DISTANCE PLATE

- 50x60x5-21 mm. Angled 15°.
- Made of aluminum.

Item no.	Product	Thickness	Holes
216183	Angled distance plate	5-21 mm	Counterbored through M4 AMPS Dual M4 AMPS + 9 mm center



## HEAVY DUTY PEDESTAL MOUNTS WITH TOP



215523



215518



215563

WITH LARGE TEETH

\* =



### SWIVELING HEAVY DUTY PEDESTAL MOUNT

- Top part of the mount swivels 300°
- For installation of two devices back to back
- Mounting surfaces are angled 10° and 20°
- With MultiMoveClip, fits for all Brodit holders with tilt swivel
- Round base mounting plate, diameter 100 mm, thickness 9 mm, 6x6,5 mm holes
- Rod diameter 30 mm, solid rod, made of aluminum

Item no.	Product	Total length
215523	Swiveling Pedestal Mount 6"	262 mm



### HEAVY DUTY PEDESTAL MOUNT 4" WITH MULTIMOVECLIP

- With MultiMoveClip, fits for all Brodit holders with tilt swivel
- Round base mounting plate, diameter 100 mm, thickness 9 mm, 6x6,5 mm holes
- Rod diameter 30 mm, solid rod, made of aluminum

Item no.	Product	Total length
215518	Pedestal Mount with MultiMoveClip	138 mm



### HEAVY DUTY PEDESTAL MOUNT 4" WITH BASE PLATE

- Square mounting plate, 50x50 mm, dual 4 mm AMPS holes
- Round base mounting plate, diameter 100 mm, thickness 9 mm, 6x6,5 mm holes
- Rod diameter 30 mm, solid rod, made of aluminum

Item no.	Product	Total length
215563	Pedestal Mount 4"	124 mm





## LIGHT WEIGHT PEDESTAL MOUNTS WITH SWIVELING TOP



### LIGHT WEIGHT PEDESTAL MOUNTS WITH SWIVELING TOP

- A light weight, small size Pedestal Mount perfect for use in cramped spaces
- Rod diameter 30 mm, solid rod, made of aluminum. Foot with 6x4 mm holes. Height 117 mm + top
- Slim design top. Swiveling top turns 345°, made of Acetal plastic. With dual 2 mm AMPS holes

Item no.	Product	Top angle	Holes
<b>215815</b>	Swiveling Pedestal Mount	15° angled top	Dual 2 mm AMPS
<b>215816</b>	Swiveling Pedestal Mount	30° angled top	Dual 2 mm AMPS
<b>215817</b>	Swiveling Pedestal Mount	45° angled top	Dual 2 mm AMPS
<b>215818</b>	Swiveling Pedestal Mount	60° angled top	Dual 2 mm AMPS
<b>215819</b>	Swiveling Pedestal Mount	75° angled top	Dual 2 mm AMPS
<b>215820</b>	Swiveling Pedestal Mount	90° angled top	Dual 2 mm AMPS



### BASE PLATES

Item no.	Product	Diameter	Holes
<b>215597</b>	Round mounting plate	100 mm	6x6,5 mm + 6 M4 holes
<b>215598</b>	Round mounting plate	150 mm	6x6,5 mm + 6 M4 holes
<b>215599</b>	Round mounting plate	200 mm	6x6,5 mm + 6 M4 holes





## SOLUTIONS FOR ZEBRA MACHINE VISION



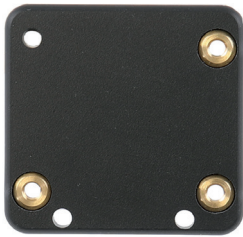
216480



217052



217053



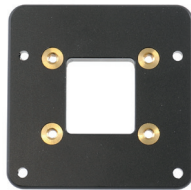
217054



217055



217056



217057



217060

### ZEBRA MACHINE VISION

- Robust and secure mounts for Zebra industrial scanners
- These mounts ensure stability and reliability, keeping your equipment firmly in place
- For best results, pair with a pedestal on Bosch profiles or similar systems
- Durable AB S/Acetal, metal construction

<i>Item no.</i>	<i>Product</i>	<i>Fits for</i>
<b>216480</b>	Mounting plate	Zebra FS10, FS20, XS40, XS70
<b>217052</b>	Mount. L-Bracket	Zebra FS20, FS40, FS70, VS20, VS40, VS70
<b>217053</b>	Mount. L-Bracket	Zebra IRIS GTX
<b>217054</b>	Mounting plate	Zebra FS10
<b>217055</b>	Mounting plate	Zebra FS20
<b>217056</b>	Mounting plate	Zebra FS40, VS70
<b>217057</b>	Mounting plate	Zebra IRIS GTX 3D
<b>217060</b>	Device Mounting Adapter	Bosch Rexroth



COMPLETE LIST



## FLOOR & TABLE TOP STAND FOR CABLE ENTRY



216093



### TABLETOP STAND FOR CABLE ENTRY

- A stable table top stand for devices up to 10.1" size.
- 145x176x150 mm ( LxWxH ), 592g
- Made of Acetal and ABS

**HOLLOW RANGE  
FOR CABLE ENTRY!**

Item no.	Product	Holes
216093	Table top stand	Dual 4 mm AMPS+ 2x 2 mm

### FLOOR STAND WITH ANGLED TOP 45° FOR CABLE ENTRY

- A stable floor stand for any device in shops, at exhibitions, events, receptions, etc.
- Hollow range for cable entry, center hole diameter 15 mm
- Mounting plate 60x110 mm
- Angled top 45°
- 365x415x1115 mm ( LxWxH ), 5000g
- Delivered in flat package 580x420x85 mm
- Made of powder coated steel.

Item no.	Product	Holes
216263	Stable floor stand for cable entry	Dual M4 AMPS



216263



## EXTENSION PARTS & PLATES FOR CABLE ENTRY MOUNTS



### HOLLOW EXTENSION PARTS FOR CABLE ENTRY, WITH SWIVELING TOP

- Rod diameter 35 mm, hole inside diameter 25 mm
- Made of aluminum

Item no.	Product	Total length	Holes
<b>215572</b>	Swiveling Pedestal Mount for cable entry 4,5"	115 mm	5x4 mm AMPS+6x M4
<b>215573</b>	Swiveling Pedestal Mount for cable entry 6,5"	165 mm	5x4 mm AMPS+6x M4
<b>215574</b>	Swiveling Pedestal Mount for cable entry 8,5"	215 mm	5x4 mm AMPS+6x M4



**HOLLOW RANGE  
FOR CABLE ENTRY!**

### HOLLOW EXTENSION PARTS FOR CABLE ENTRY

- Rod diameter 35 mm, hole inside diameter 25 mm
- Made of aluminum

Item no.	Product	Total length	Holes
<b>215564</b>	Pedestal Mount for cable entry 4"	100 mm	4x4 mm AMPS+6x M4
<b>215565</b>	Pedestal Mount for cable entry 6"	150 mm	4x4 mm AMPS+6x M4
<b>215566</b>	Pedestal Mount for cable entry 8"	200 mm	4x4 mm AMPS+6x M4

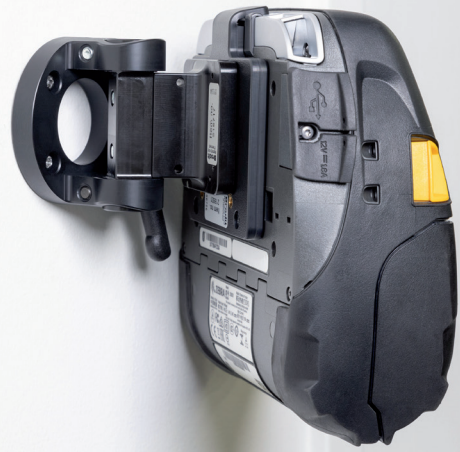


### HOLLOW ROUND MOUNTING/BASE PLATES FOR CABLE ENTRY

- For added stability, spreads the strain on the mounting surface thanks to larger area
- Hole diameter 20 mm, milled cable groove in the bottom
- Made of ABS plastic
- Thickness 9 mm.

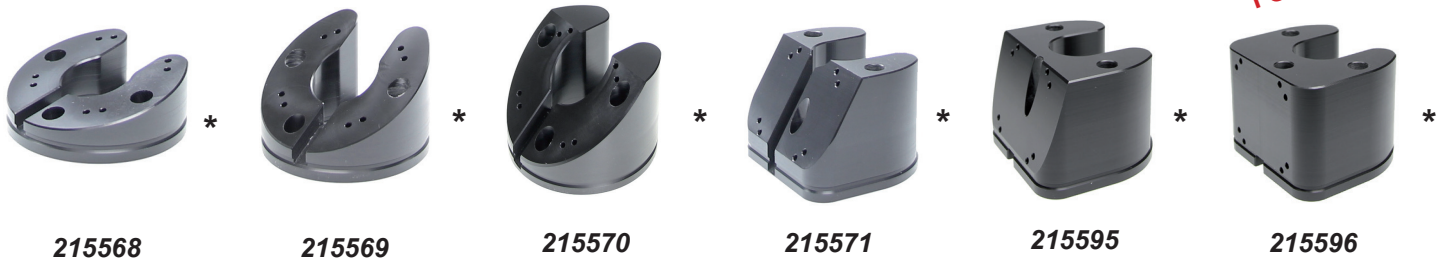
Item no.	Product	Diameter	Holes
<b>215757</b>	Mounting plate for cable entry	200 mm	6x6,5 mm+6x M4
<b>215795</b>	Mounting plate for cable entry	250 mm	6x6,5 mm+6x M4





## HOLLOW TOPS FOR CABLE ENTRY MOUNTS

**HOLLOW RANGE  
FOR CABLE ENTRY!**



215568

215569

215570

215571

215595

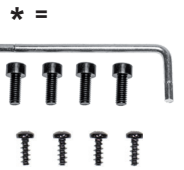
215596



215717

215741

215742



### ANGLED TOPS FOR CABLE ENTRY PEDESTAL MOUNT

- Center hole diameter 24 mm
- Made of Acetal plastic

Item no.	Product	Top angle	Total height	Holes
215568	Angled top, cable entry	Angle: 15°	26 mm	Dual 2 mm AMPS + 4x4mm
215569	Angled top, cable entry	Angle: 30°	44 mm	Dual 2 mm AMPS + 4x4mm
215570	Angled top, cable entry	Angle: 45°	50 mm	Dual 2 mm AMPS + 4x4mm
215571	Angled top, cable entry	Angle: 60°	50 mm	Dual 2 mm AMPS + 4x4mm
215595	Angled top, cable entry	Angle: 75°	50 mm	Dual 2 mm AMPS + 4x4mm
215596	Angled top, cable entry	Angle: 90°	50 mm	Dual 2 mm AMPS + 4x4mm



### SWIVELING TOPS FOR CABLE ENTRY PEDESTAL MOUNT

- Square mounting plate 50x50 mm, hole diameter 32 mm
- Made of aluminum and Acetal plastic
- Tilts 180°

Item no.	Product	Holes
215717	Top Part with 180° turnaround. Locking with handle	Dual 2 mm AMPS + 4x4mm
215741	Top Part with 180° turnaround. Locking with handle	RAM Mount holes + 4x4mm
215742	Top Part with 180° turnaround. Locking with Allen Key	Dual 2 mm AMPS + 4x4mm





## HEAVY DUTY PEDESTAL BALL MOUNTS

### HEAVY DUTY PEDESTAL BALL MOUNT

- With ball head, size 20 mm. Tilts 210°, swivels 360°
- Loading weight 3 kg
- Rod made of aluminum, lever made of metal
- Mounting plate 42x50 mm with 4 mm AMPS holes
- Compatible with all Brodit holders with tilt swivel

Item no.	Product	Total length
<b>202024</b>	Heavy duty pedestal ball mount	180 mm
<b>202038</b>	Heavy duty pedestal ball mount	153 mm

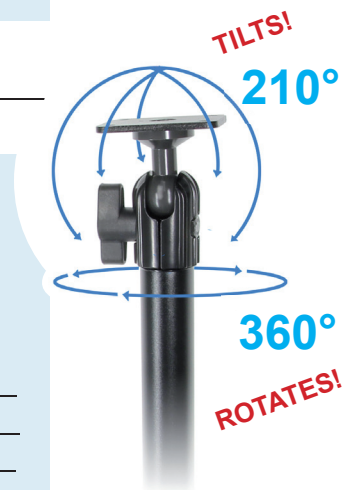


## STANDARD DUTY PEDESTAL BALL MOUNTS

### STANDARD DUTY PEDESTAL BALL MOUNT

- With ball head, size 20 mm. Tilts 210°, swivels 360°
- Rod diameter 23 mm, loading weight 1-3 kg
- Rod made of aluminum, wingnut made of plastic
- Mounting plate 42x50 mm with 4 mm AMPS holes
- Compatible with all Brodit holders with tilt swivel

Item no.	Product	Total length
<b>202016</b>	Pedestal Mount 5"	132 mm
<b>202010</b>	Pedestal Mount 6,5"	165 mm
<b>202020</b>	Pedestal Mount 10"	251 mm
<b>202025</b>	Extension arm , for use with item no 202010-202020	170 mm
<b>202019</b>	Pedestal Mount 6,5" with cup holder mount	234 mm
<b>202018</b>	Pedestal Mount 10,5" with cup holder mount	267 mm
<b>202027</b>	Magnetic mount 88 mm	35 mm
<b>202028</b>	Magnetic mount 43 mm	31 mm
<b>202029</b>	Pedestal Mount 6" with magnetic mount, 88 mm.	128 mm
<b>202030</b>	Pedestal Mount 7,5" with magnetic mount, 88 mm	160 mm
<b>202031</b>	Pedestal Mount 11" with magnetic mount, 88 mm.	247 mm
<b>202017</b>	Pedestal Mount 6" with suction cup	160 mm
<b>202011</b>	Pedestal Mount 7,5" with suction cup	190 mm
<b>202012</b>	Pedestal Mount 11" with suction cup	280 mm
<b>202015</b>	Pedestal Mount 10" with small clamp mount Opens max 40 mm or Ø30 mm.	345 mm
<b>202014</b>	Pedestal Mount 10" with heavy duty clamp mount Opens 5-65 mm	340 mm







## PEDESTAL MOUNT / MAGNETIC MOUNT



202024



202038



202016



202010



202020



202025



202019



202018



202027



202028



202029



202030



202031



202017



202011



202012



202015



202014



## HEAVY DUTY PIPE MOUNTS



215935



215858



215859



215860

**VERY STRONG  
PIPE MOUNT!**



216107



216114



216115



### HEAVY DUTY PIPE MOUNT

- A pipe mount for round bars
- Perfect for installations in heavy duty vehicles or where road conditions are rough
- For use on motorcycles, boats, carts, stands, wheelchairs, airplanes etc
- Provides a very sturdy mounting platform for tablets, PDAs, phones, monitors, printers etc
- Mounting plate 69x75 mm with multiple M4 AMPS holes
- Made of aluminum

Item no.	Product	Fits pipe diameter	Holes
215935	Pipe mount	25 mm (44,5 mm if insert removed)	Multiple M4 AMPS
215858	Pipe mount	30 mm (44,5 mm if insert removed)	Multiple M4 AMPS
215859	Pipe mount	38,1 mm (44,5 mm if insert removed)	Multiple M4 AMPS
215860	Pipe mount	44,5 mm	Multiple M4 AMPS



### HEAVY DUTY PIPE MOUNT

- A pipe mount for round bars.
- Perfect for installations in heavy duty vehicles or where road conditions are rough
- For use on motorcycles, boats, carts, stands, wheelchairs, airplanes etc
- Provides a very sturdy mounting platform for tablets, PDAs, phones, monitors, printers etc
- Mounting plate 45x55 mm with dual AMPS-holes
- Made of aluminum

Item no.	Product	Fits pipe diameter	Holes
216107	Heavy duty pipe mount	19-30 mm	Dual AMPS
216114	Heavy duty pipe mount	29-40 mm	Dual AMPS
216115	Heavy duty pipe mount 1"-5"	25,4-127 mm	Dual AMPS



## STANDARD DUTY PIPE MOUNTS

STANDARD DUTY  
PIPE MOUNT!



215664



215969



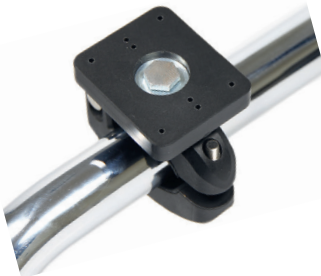
215665



215666



215667



215793



215794



215945



215946

### STANDARD DUTY PIPE MOUNT

- For installation of devices on pipes and rods/bars
- For use on most types of vehicles, trucks, motorcycles, boats, carts, stands, wheelchairs, airplanes etc
- Made of ABS/Acetal plastic (Item no 215969 made of aluminum)
- Mounting plate 50x42 mm

Item no.	Product	Fits pipe diameter	Holes
215664	Pipe mount	19-30 mm	2 mm AMPS
215969	Pipe mount with wing nuts	29-40 mm	2 mm AMPS
215665	Pipe mount, Mounting plate 160x50 mm	19-30 mm	6x2 mm AMPS
215666	Pipe mount, Mounting plate angled 45°	19-30 mm	6x2 mm AMPS
215667	Pipe mount, Mounting plate angled 90°	19-30 mm	6x2 mm AMPS
215793	Pipe mount	22-31 mm	2 mm AMPS
215794	Pipe mount	22-31 mm	4 mm AMPS for bolt+nut
215945	Pipe mount	31-50 mm	2 mm AMPS
215946	Pipe mount	31-50 mm	4 mm AMPS for bolt+nut



## STANDARD DUTY PIPE BALL MOUNTS

STANDARD DUTY  
PIPE BALL MOUNT!



202026



215792



215944



216254

### STANDARD DUTY PIPE BALL MOUNT

- For installation of devices on pipes and rods/bars
- With ball head, size 20 mm. Tilts 210°, swivels 360°
- For use on most types of vehicles, trucks, motorcycles, boats, carts, stands, wheelchairs, airplanes etc
- Mounting plate 50x42 mm, with AMPS holes

Item no.	Product	Fits pipe diameter	Holes
202026	Pipe mount with swiveling mounting plate Made of aluminum	20-32 mm	4 mm AMPS
215792	Pipe mount with swiveling mounting plate Made of plastic	22-31 mm	2 mm AMPS
215944	Pipe mount with swiveling mounting plat. Made of plastic	31-50 mm	4 mm AMPS
216254	Pipe mount with swiveling mounting plate Made of plastic	12-44 mm	4 mm AMPS + 2



## ROUND BASE SINGEL HOLE



### Round base singel hole

- For attaching a device holder to an forklift using one bolt
- Standard AMPS holes

<i>Item no.</i>	<i>Product</i>	<i>Holes</i>
<b>216389</b>	Pedestal mount 185 mm	4mm AMPS+1x8,8mm



## STILL FORKLIFT MOUNT



216262

### STILL MOUNT

- For attachment on a Still Clamp mount 0711707/0711708 (not included).
- Made of powder coated steel
- Multiple AMPS holes, radial adjustment

<i>Item no.</i>	<i>Product</i>	<i>Holes</i>
<b>216262</b>	Still mount	Radial 4mm AMPS



**FOR USE ON STILL  
CLAMP MOUNT**

## TOYOTA FORKLIFT MOUNT



### Toyota Forklift E-Bar

- For attaching a device holder or Pedestal Mount to an E-Bar rail
- Standard AMPS holes

<i>Item no.</i>	<i>Product</i>	<i>Holes</i>
<b>216310</b>	Mounting Plate	4mm AMPS





## HEAVY DUTY U-MOUNTS



216227

\*



215710

\*



215709

\*



### HEAVY DUTY U-MOUNT

- For installation onto square objects
- Made of aluminum
- Dual M4 AMPS holes

<i>Item no.</i>	<i>Product</i>	<i>Fits bar width</i>	<i>Holes</i>
<b>216227</b>	U-Mount	25-30 mm	Dual M4 AMPS
<b>215710</b>	U-Mount	35-40 mm	Dual M4 AMPS
<b>215709</b>	U-Mount	45-50 mm	Dual M4 AMPS





# HEAVY DUTY FORKLIFT CLAMP MOUNTS



HEAVY DUTY CLAMP MOUNTS



215677 \*



216091 \*



215784 \*\*

WITH LARGE TEETH



## HEAVY DUTY CLAMP MOUNT

- For installation onto square objects, such as rollbars or pillars
- Fits square objects with thickness 5-130 mm
- Made of aluminum

Item no.	Product	Width between rods	Holes
215677	Forklift mount	87 mm	Multiple M4 AMPS
216091	Forklift mount	127 mm	Multiple M4 AMPS



## HEAVY DUTY CLAMP MOUNT WITH PEDESTAL MOUNT FOOT

- Fits square objects with thickness 5-130 mm
- With large interlocking teeth

Item no.	Product	Width between rods
215784	Forklift mount with integrated base	36 mm

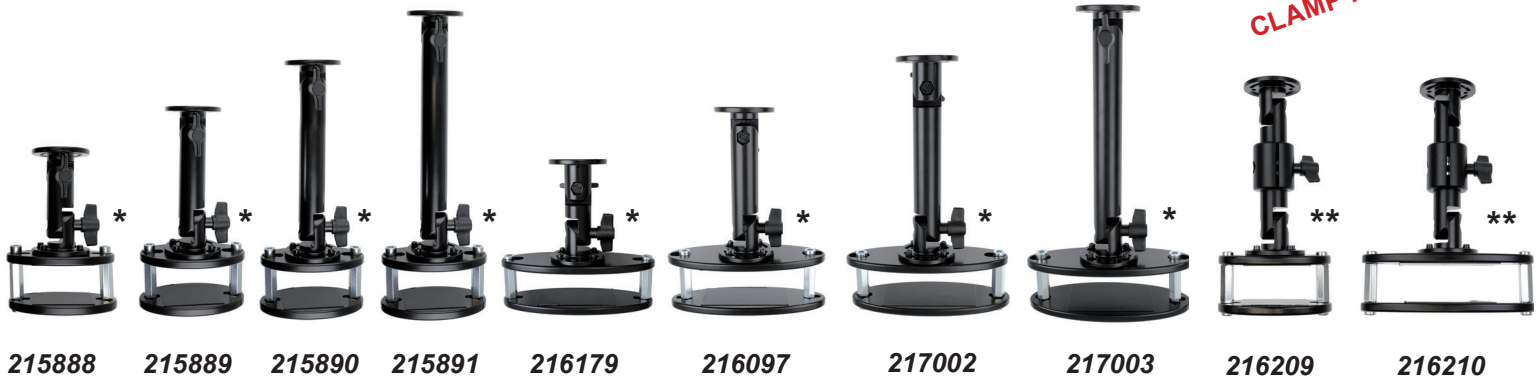




## HEAVY DUTY FORKLIFT CLAMP MOUNTS

- For installation onto square objects, e.g. rollbar of a forklift, rods, poles, tubes, plates, pipes
- Round base/top: diameter 64 mm with multiple 4 mm AMPS holes, radial adjustment
- Fits square objects with thickness 5-130 mm
- Made of aluminum

HEAVY DUTY  
CLAMP MOUNT ARM



### FORKLIFT CLAMP MOUNT WITH HEAVY DUTY PEDESTAL MOUNT ARM

- With a heavy duty Pedestal Mount arm with wingnuts
- Solid rod, diameter 30 mm
- One end with small interlocking teeth, can be angled in 0-180° (16 positions in steps of 11,25°)
- The other end with large interlocking teeth, can be angled in 0-195° (8 positions in steps of 24°)

WITH SMALL TEETH

Item no.	Product	Width btw. rods	Length	Holes
<b>215888</b>	Clamp mount 4"	87 mm	114 mm + clamp mount	Mult. 4 mm AMPS, radial adj.
<b>215889</b>	Clamp mount 6"	87 mm	164 mm + clamp mount	Mult. 4 mm AMPS, radial adj.
<b>215890</b>	Clamp mount 8"	87 mm	214 mm + clamp mount	Mult. 4 mm AMPS, radial adj.
<b>215891</b>	Clamp mount 10"	87 mm	276 mm + clamp mount	Mult. 4 mm AMPS, radial adj.
<b>216179</b>	Clamp mount 4"	127 mm	114 mm + clamp mount	Mult. 4 mm AMPS, radial adj.
<b>216097</b>	Clamp mount 6"	127 mm	164 mm + clamp mount	Mult. 4 mm AMPS, radial adj.
<b>217002</b>	Clamp mount 8"	127 mm	214 mm + clamp mount	Mult. 4 mm AMPS, radial adj.
<b>217003</b>	Clamp mount 10"	127 mm	276 mm + clamp mount	Mult. 4 mm AMPS, radial adj.



### FORKLIFT CLAMP MOUNT WITH HEAVY DUTY PEDESTAL MOUNT ROTATABLE ARM

- With a heavy duty Pedestal Mount rotatable arm with wingnut
- Solid rod, diameter 30 mm
- With small interlocking teeth, can be angled in 0-180° (16 positions in steps of 11,25°)

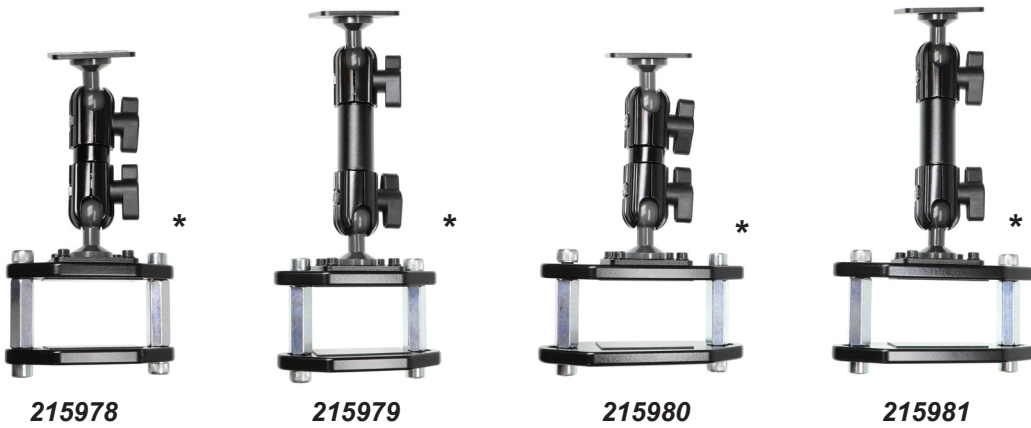
Item no.	Product	Width btw. rods	Length	Holes
<b>216209</b>	Clamp mount 7,5"	87 mm	188 mm + clamp mount	Mult. 4 mm AMPS, radial adj.
<b>216210</b>	Clamp mount 7,5"	127 mm	188 mm + clamp mount	Mult. 4 mm AMPS, radial adj.







## STANDARD DUTY FORKLIFT CLAMP BALL MOUNTS



**STANDARD DUTY  
CLAMP BALL MOUNT ARM**



### FORKLIFT CLAMP MOUNT WITH STANDARD DUTY PEDESTAL BALL MOUNT ARM

- For installation onto square objects, e.g. rollbar of a forklift, rods, poles, tubes, plates, pipes
- Fits square objects with thickness 5-130 mm
- With a standard duty Pedestal Mount arm with wingnuts
- Mounting plate 50x42 mm with 4 mm AMPS holes
- Made of aluminum

Item no.	Product	Width between rods	Length	Holes
<b>215978</b>	Clamp ball mount 5"	72 mm	140 mm + clamp mount	4 mm AMPS
<b>215979</b>	Clamp ball mount 6,5"	72 mm	172 mm + clamp mount	4 mm AMPS
<b>215980</b>	Clamp ball mount 5"	97 mm	140 mm + clamp mount	4 mm AMPS
<b>215981</b>	Clamp ball mount 6,5"	97 mm	172 mm + clamp mount	4 mm AMPS





## SUCTION CUP MOUNTS



215712



215671



215675



215676



215679



217124

### STANDARD DUTY SUCTION CUP MOUNT

Item no.	Product	Holes
215712	Standard duty single suction cup mount	Dual 2 mm AMPS

### HEAVY DUTY SUCTION CUP MOUNT

- Provides a firm installation on flat surfaces such as glass or metal
- Made of metal and plastic

Item no.	Product	Holes
215671	Heavy duty dual suction cup mount	Dual 4 mm AMPS
215675	Heavy duty triple suction cup mount	Dual 4 mm AMPS
217124	Heavy duty dual suction cup mount with Heavy Duty Pedestal Ball Mount 9"	Dual 4 mm AMPS

### DISTANCE PLATE

Item no.	Product	Holes
215676	Wingnut + distance plate 50x50x5 mm	4 mm AMPS
215679	Distance plate 50x50x5 mm 5 pcs	4 mm AMPS



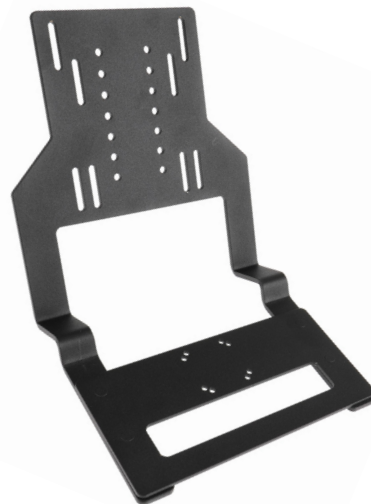
## HEAVY DUTY WORKSTATION MOUNTS

- For installing a laptop or monitor and keyboard as a workstation in any location
- Made of powder coated steel.

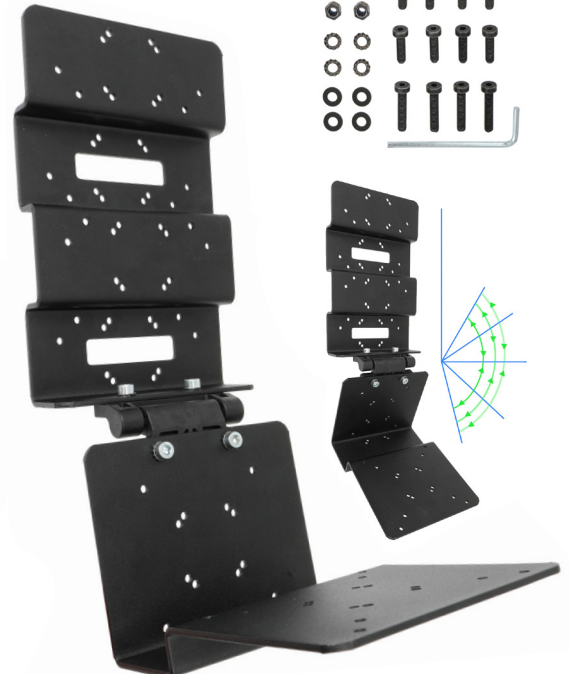
\* =



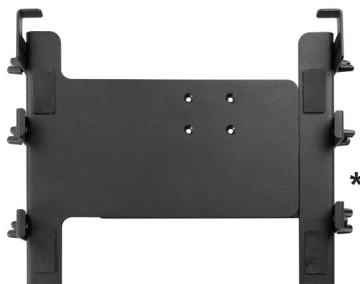
216033



216059



216261



216047

### HEAVY DUTY LAPTOP HOLDER

- Fits laptops with width 283-384 mm, max thickness 25 mm

Item no.	Product	Holes
216033	Laptop holder	4 mm AMPS
216047	Laptop holder. With back support	4 mm AMPS

### HEAVY DUTY MONITOR AND KEYBOARD MOUNT

- Fits all standard keyboards and tablets

Item no.	Product	Holes
216059	Monitor and keyboard mount	Multiple M4 AMPS + VESA75/100

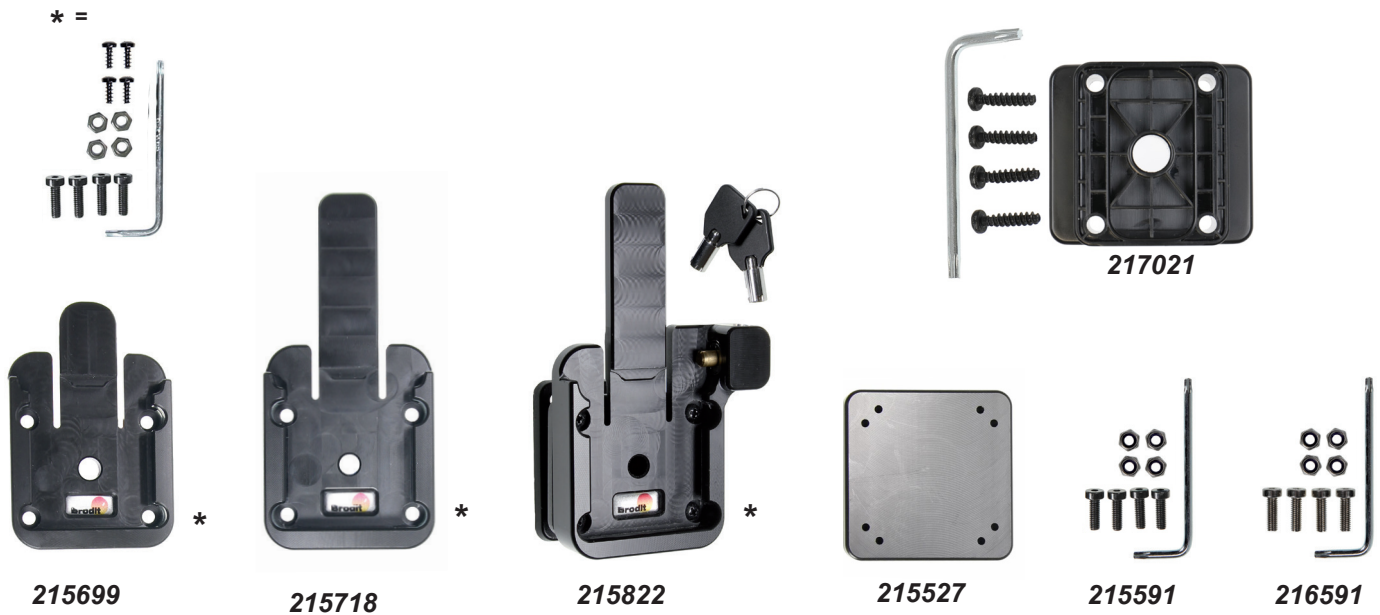
### HEAVY DUTY FOLDING MONITOR AND KEYBOARD MOUNT

- With heavy-duty tension hinge; fold the mount up in half to get it out of the way when not in use
- Attach any cradle, holder, tablet, monitor to the top section and keyboard to the bottom section

Item no.	Product	Holes
216261	Folding monitor and keyboard mount	Multiple M4 AMPS + VESA75/100



## MULTIMOVECLIP



### MULTIMOVECLIP

- An adapter system for easy attachment and removal of a holder onto a mount
- Allows you to easily switch holders without changing the mount
- Move the holder between vehicle/warehouse/office
- Made of Acetal/ABS plastic
- Compatible with all Brodit holders with tilt swivel

Item no.	Product	Holes
<b>215699</b>	MultiMoveClip, high strength easy open	4 mm AMPS
<b>215718</b>	MultiMoveClip, high strength easy open high	4 mm AMPS
<b>215822</b>	MultiMoveClip, high strength easy open high, with lock + 2 keys	4 mm AMPS

### ADAPTER PLATE

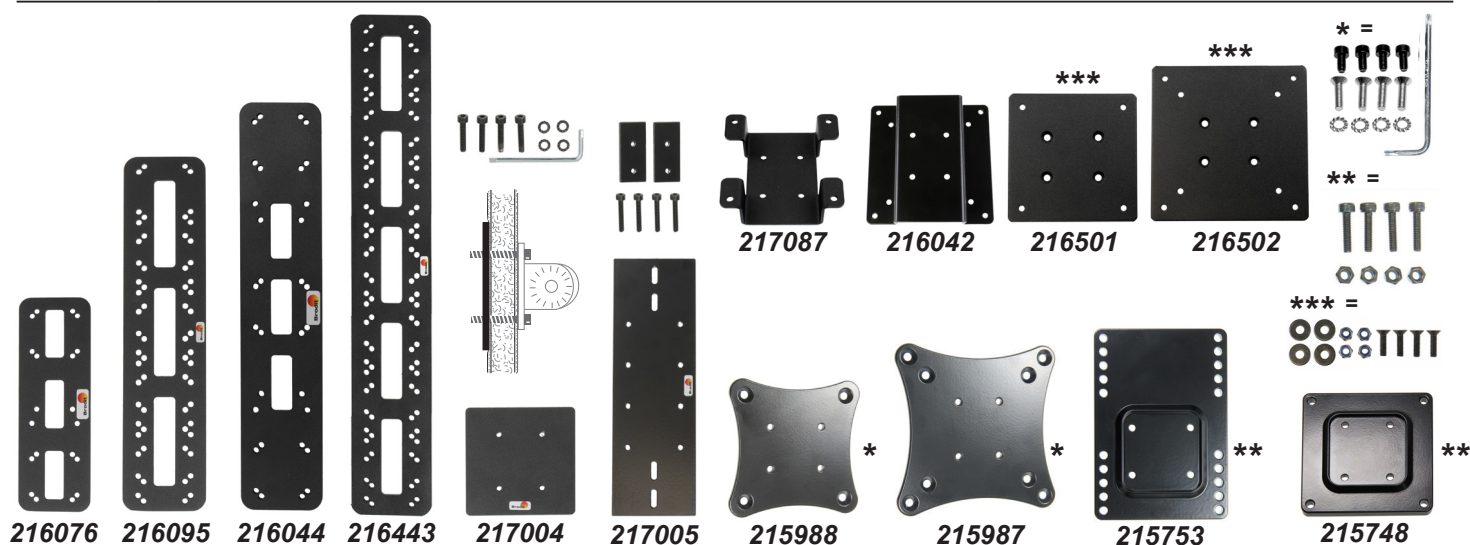
Item no.	Product	Holes
<b>215527</b>	Adapter plate, for use without tilt swivel on MultiMoveClip. Thickness 15 mm. Dual AMPS	
<b>217021</b>	Adapter plate, for use without tilt swivel on MultiMoveClip. Thickness 25 mm. AMPS	

### MULTIMOVECLIP SCREWS

Item no.	Product
<b>215591</b>	Screw set. 4 screws + 4 nuts + 1 torx key. Color: Black (for installing a MultiMoveClip onto a Pedestal Mount)
<b>216591</b>	Screw set. 4 stainless steel screws + 4 nuts + 1 torx key (for installing a MultiMoveClip onto a Pedestal Mount)



## AMPS, DIN & VESA MOUNTING PLATES



### AMPS MOUNTING PLATES

- Made of powder coated steel.

Item no.	Product	Holes
<b>216076</b>	Mounting plate 180x60x3 mm	Multiple 4 mm AMPS
<b>216095</b>	Mounting plate 260x60x3 mm	Multiple 4 mm AMPS
<b>216044</b>	Mounting plate 300x60x3 mm	Multiple 4 mm AMPS
<b>216443</b>	Mounting plate 380x60x3 mm	Multiple 4 mm AMPS
<b>217004</b>	Reinforcement plate 75x75x3 mm	M4 AMPS

### DIN MOUNTING PLATE

- Made of powder coated steel.

Item no.	Product	Holes
<b>217005</b>	Mounting plate single DIN 188x60x3 mm	Multiple M4 AMPS

### VESA MOUNTING PLATES

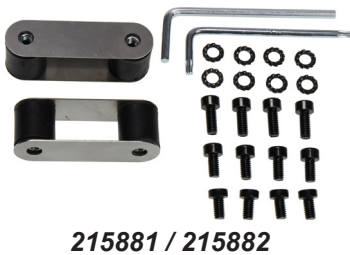
- For use with all heavy duty Pedestal Mounts
- Made of aluminum, metal

Item no.	Product	Holes
<b>215988</b>	Single Vesa: 75 mm, rounded plate. Aluminum	5 mm Vesa + M4 AMPS
<b>215987</b>	Dual Vesa: 75 mm and 100 mm, rounded plate. Aluminum	Dual 5 mm Vesa + M4 AMPS
<b>215753</b>	5 x Vesa: 75 mm, square plate. Aluminum	5x5 mm Vesa + 4 mm AMPS
<b>215748</b>	Single Vesa 75 mm, square plate. Aluminum	5 mm Vesa + 4 mm AMPS
<b>216501</b>	Single Vesa 75 mm, square plate. Metal	5 mm Vesa + 4 mm AMPS
<b>216502</b>	Dual Vesa: 75 mm and 100 mm. square plate. Metal	5 mm Vesa + 4 mm AMPS
<b>217087</b>	Single Vesa: 75 mm and AMPS. Raised design. Metal	5 mm Vesa + 5 mm AMPS
<b>216042</b>	Dual Vesa: 75/100 mm and AMPS. Raised design. Metal	5 mm Vesa + 5 mm AMPS





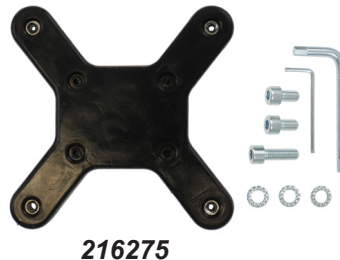
## VIBRATION DAMPERS



215881 / 215882



216171



216275



217109

### VIBRATION DAMPER

- Reduces vibrations and bumps, for use in a rough environment
- Mount the vibration damper between the cradle/holder and the Pedestal Mount
- Shore A 60 Hardness
- Made of steel and rubber

Item no.	Product	Holes	Max weight	Builds
215881	Vibration damper	M4	1500 g	15 mm
215882	Vibration damper	M4	300 g	15 mm
216171	Vibration damper	M4	4000 g	15 mm
216275	Vibration damper	M4 AMPS, VESA 75	2000 g	19 mm
217109	Vibration damper	M4	1500 g	15 mm

## HINGE MOUNT



216154

### HINGE MOUNT

- For installation of an additional device in front of your car's screen while maintaining access to the screen
- Opens 0-180° depending on height of holder/device and dashboard design, normal opening angle is 90°
- A flat surface of 90x50 mm is required for the attachment
- 90x86x20 mm
- Made of ABS

Item no.	Product	Holes
216154	Hinge mount	4mm AMPS



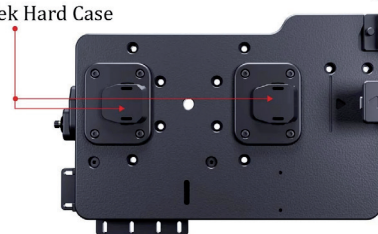
## MODTEK SYSTEM

### PROTECTIVE HARD CASE



Raised Mounting Points  
Align With Channels on  
ModTek Hard Case

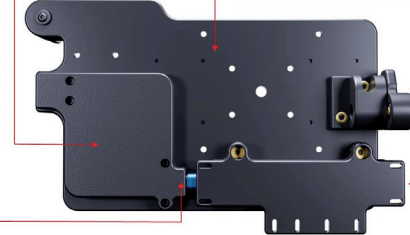
Quick Release Dial



Protected USB-C 3.1  
Connector Connector

Integrated Cable Cover

Easy To Mount With AMPS &  
VESA 75 Mount Pattern



Optional  
Key Lock

USB-C  
3.1 Port

Optional USB-C Accessories  
e.g. Hubs, Splitters and more

#### MODTEK CASE

- ModTek Hard Case provides unmatched protection shielding your tablet from wear and tear
- Direct USB-C access between the tablet and Dock provides simultaneous rapid charging
- A complete ModTek solution consists of a ModTek Dock, Hard Case and your choice of Power Supply

<i>Item no.</i>	<i>Fits for</i>
<b>216414</b>	Samsung Galaxy Tab A7 Lite
<b>216415</b>	Samsung Galaxy Tab Active 3
<b>216415</b>	Samsung Galaxy Tab Active 5
<b>216416</b>	Apple iPad Mini 6th Gen
<b>216416</b>	Apple iPad Mini 7th Gen
<b>216429</b>	Apple iPad 10th Gen
<b>216444</b>	Samsung Galaxy Tab Active 4 Pro
<b>216451</b>	Lenovo Tab K10

<i>Item no.</i>	<i>Fits for</i>
<b>216471</b>	Rhino T80
<b>216473</b>	Samsung Galaxy Tab A9+ 11
<b>216481</b>	Lenovo M9
<b>216485</b>	Samsung Galaxy Tab S9 FE
<b>216488</b>	TCL TAB 8 SE, 8 Plus, 8 LE
<b>216490</b>	T-Mobile REVVL TAB 5G
<b>217043</b>	Lenovo Tab K11
<b>217103</b>	Samsung Galaxy Tab A9

#### MODTEK DOCK

- Unleash the power of USB-C with the ModTek Dock
- The ModTek Dock keeps your unit protected and has undergone military-standard testing
- ModTek Dock is universally compatible with all ModTek Hard Cases and reducing overall costs

<i>Item no.</i>	<i>Fits for</i>
<b>216410</b>	Android and Windows Devices
<b>216411</b>	Apple Devices
<b>216412</b>	Android and Windows Devices. With USB Hub
<b>216413</b>	Apple Devices. With USB Hub



COMPLETE LIST

