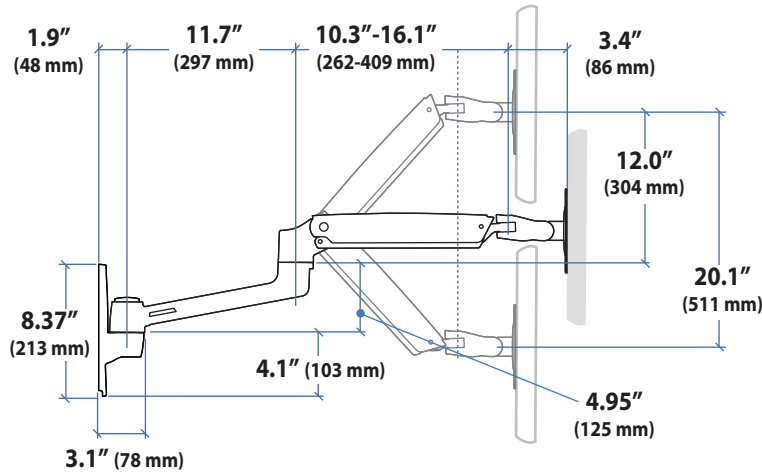


# Ergotron® LX

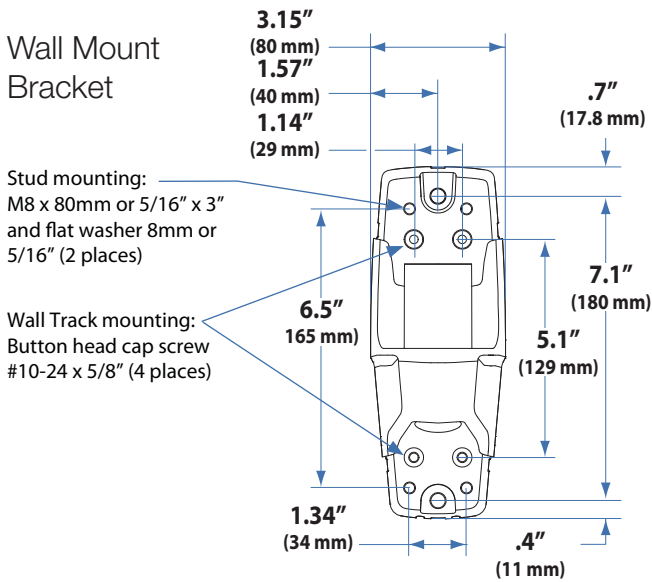
## Dimensional & Range of Motion Illustrations

### Sit-Stand Wall Mount LCD Arm

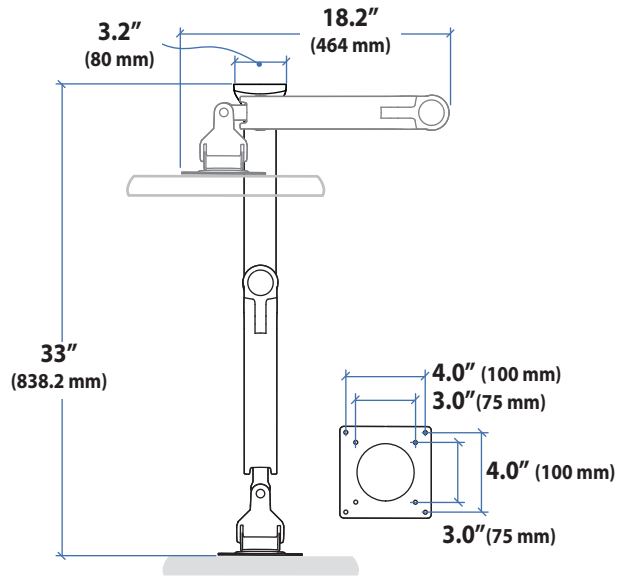
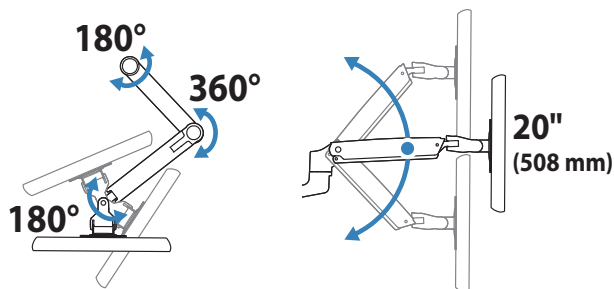
#### Dimensions



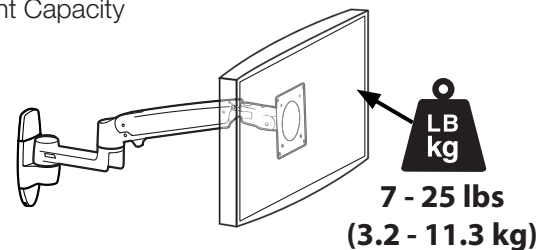
#### Wall Mount Bracket



#### Range of Motion



#### Weight Capacity



Monitor depth greater than 2.5" (64 mm) may diminish capacity. Call Ergotron for more information.

© 2013 Ergotron, Inc. rev. 02/05/2013 DIM-LXSSWM Content is subject to change without notification

#### Americas Sales and Corporate Headquarters

St. Paul, MN USA  
(800) 888-8458  
+1-651-681-7600  
www.ergotron.com  
sales@ergotron.com

#### EMEA Sales

Amersfoort, The Netherlands  
+31 33 45 45 600  
www.ergotron.com  
info.eu@ergotron.com

#### APAC Sale

Tokyo, Japan  
www.ergotron.com  
apaccustomerservice@ergotron.com

#### Worldwide OEM Sales

www.ergotron.com  
info.oem@ergotron.com

