



DELL DUAL MONITOR ARM – MDA20

Virtually tool-free installation.



SIMPLE INSTALLATION

Quickly install this Dell Dual Monitor Arm – MDA20 for a comprehensive monitor and system mounting solution. Dell Quick Release lets you snap on the Dell UltraSharp and P-Series monitors onto the arm easily without tools, and select OptiPlex Micro, Ultra and Wyse systems can be installed as well for an all-in-one solution.



RAPID DEPLOYMENT

Virtually tool-free installation makes deploying the Dell Dual Monitor Arm simple, while the counterbalance indicator on the side lets you replicate identical tension settings across multiple units rapidly. You can install other monitors with optional VESA mount adapter plates for complete versatility with select PC systems.



CONVENIENT SWIVEL ADJUSTMENT

The World's first swivel switch that allows you to change the swivel angle without having to remove any part of the monitor arm* — you can simply adjust the swivel angle on the arm to 180 or 360 degrees conveniently with a flip of the switch.

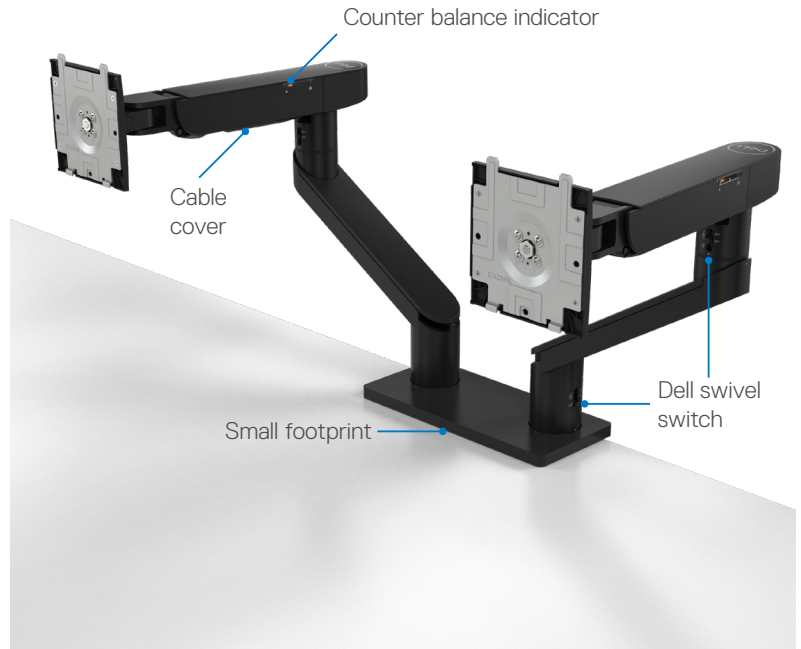
Features & Technical Specifications



Designed to optimize your viewing distance, the Dell Dual Monitor Arm is built to minimize wasted space behind the arms so that you get plenty of usable area.



World's first dual monitor arm to offer swivel angle adjustment with a flip of a switch.*



Dell Dual Monitor Arm – MDA20

Color	Black
Panel Mount	Dell Quick Release mounting VESA Compliant Monitor (100 mm x 100 mm) VESA Adapter Plate sets included
Individual Weight Range per Arm	4.8 to 22.0 lbs (2.2 to 10.0kg)
Individual Monitor Screen Size per Arm	19" to 27" (monitor mounting only). For PC and monitor mounting, please refer to the compatibility matrix.
Individual Monitor Tilt	-35° to +80°
Individual Monitor Swivel	Switchable 180° and 360° at base and joint. 180° at monitor
Individual Monitor Pivot	-/+ 90°
Individual Monitor Height Range	10.5" (266mm)
Individual Monitor Depth Range	21.6" (548mm)
Cable Management	Cable management slot on the upper and lower arms
Installation Type	Clamp up to 2.1" (53mm) desk thickness and Grommet hole up to 2" (50.8mm) diameter
Client Mounting	Select OptiPlex Micro & Ultra and Wyse Thin Clients
Warranty	3 years Limited Hardware Warranty
In the box	Dell Dual Monitor Arm – MDA20 VESA Adapter Plate Allen Key Documentation

Product availability varies by country. Contact your Dell representative or visit Dell.com to learn more.

*Based on internal analysis, November 2019.

ID# G19000453