

## Key Features

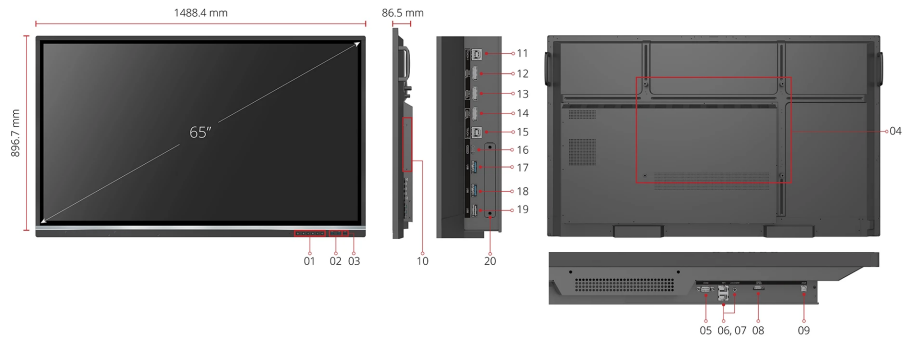
- Ultra Fine Touch Technology offering up to 40-point touch for a pen-on-paper writing experience
- myViewBoard Whiteboard software with engaging classroom tools
- Screen share via USB-C or wirelessly via myViewBoard Display and ViewBoard Cast with Airplay and Chromecast
- Intuitive remote device control and multimedia broadcast with myViewBoard Manager
- Android 11 OS powered by an octa-core CPU for optimized efficiency and security (Upgradable to Android 13)



## Product Description

Designed with modern educators in mind, the ViewBoard® 50-5 Series offers an intuitive and interactive interface for a multi-user writing experience. With a single-cable USB-C for instant, worry-free connectivity, teachers can seamlessly plug-in and control their devices while continuing the lesson. Both students and educators enjoy smooth writing with Ultra Fine Touch Technology offering 40-point touch, and the dual-pen that comes in a range of colors and sizes. Rest assured you and your students' eyes are cared for and protected as the ViewBoard® 50-5 Series comes with Flicker-Free technology and an integrated TÜV certified blue light filter for all brightness levels. Fully integrated with the myViewBoard suite, the ViewBoard® 50-5 Series brings together hardware and software for a complete classroom solution. Compatible with a full line of accessories, the ViewBoard® 50-5 Series enables you to effectively teach with a variety of engaging tools.





- |                                 |              |                       |
|---------------------------------|--------------|-----------------------|
| 1. Menu Control                 | 8. HDMI OUT  | 15. TOUCH 2           |
| 2. USB 3.0                      | 9. SPDIF     | 16. USB Type-C        |
| 3. USB 2.0                      | 10. OPS Slot | 17. USB 3.0           |
| 4. VESA® Wall Mount (600x400mm) | 11. TOUCH 1  | 18. USB 3.0           |
| 5. RS-232                       | 12. HDMI 1   | 19. USB 2.0           |
| 6. LAN                          | 13. HDMI 2   | 20. Wi-Fi Module Slot |
| 7. AUDIO OUT                    | 14. HDMI 3   |                       |

**Visit Us** [www.viewsonic.com](http://www.viewsonic.com)



## DISPLAY

Panel Size:	65"
Panel Type:	TFT LCD Module with DLED Backlight.IPS
Display Area (mm):	1428.48(H) × 803.52(V)
Aspect Ratio:	16:9
Resolution:	UHD 3840x2160
Colors:	1.07B colors (10bit)
Brightness:	350 nits (typ.)
Contrast Ratio:	1200:1 (typ.) 5000:1 (DCR)
Response Time:	8ms
Viewing Angles:	H = 178, V = 178 typ.
Backlight Life:	50,000 hours (Min)
Surface Treatment:	Hardness: 7H, Anti-glare coating
Bezel:	Slim
Orientation:	Landscape

## PLATFORM

Processor:	ARM Cortex-A73*4 + Cortex-A53*4
RAM:	8GB
Storage:	64GB

## TOUCH

Type/ Tech:	Ultra Fine Touch Technology (IR Recognition)
Touch Resolution:	32768 × 32768
Touch Point:	Windows: 40 points of touch, Android : 20 points of touch

## INPUT

HDMI:	2.0 x 3 (3840x2160 @60Hz, HDCP2.2, HDMI1 with CEC/ARC)
RS232:	x1
OPS:	x1
WiFi:	x 1 module slot

## OUTPUT

HDMI:	x1 (4K@60Hz)
Audio:	x1 (Earphone out)
SPDIF:	x1 (optical)

## LAN

RJ45:	x2
-------	----

## USB

Type A:	2.0 x 2 3.0 x 4
Type B:	x2, for touch
Type C:	x1 ( DP 1.2, USB2.0, PD65W, Ethernet 100M)

## SPEAKERS

12W x 2 + 16W x 1 subwoofer
-----------------------------

## TOP CAMERA PLATE

Yes
-----

## EMBEDDED OS



Android 11(\*Upgradable to Android 13)

## BUNDLE SOFTWARE

Basic Annotation Software:	myViewBoard
Pro Annotation Software:	myViewBoard for Windows (Embedded in Windows Slot-in PC)
Wireless Presentation:	vCast/myViewBoard Display App

## SPECIAL FEATURES

All-in-one USB port:	"SmartPort™ USB" to all channels.
Simple LAN sharing between IFP and slot-in device:	Yes
Light Sensor:	Yes

## POWER

Voltage:	100-240VAC +/- 10% Wide Range
Consumption:	95W(typ.), 0.5W (off)

## ERGONOMICS

Wall Mount (VESA®):	600 mm x 400 mm
---------------------	-----------------

## OPERATING CONDITIONS

Temperature (° C):	0°C to 40°C
Humidity:	10% ~ 90% RH non-condensing

## DIMENSIONS (W X H X D)

Physical (inch / mm):	58.6 x 35.3 x 3.5 in / 1488 x 897 x 90 mm
Packaging (inch / mm):	65.7 x 39.8 x 8.8 in / 1669 x 1010 x 223 mm

## WEIGHT

Net (lb / kg):	89.3lb/40.5kg
Gross (lb / kg):	109.6lb/49.7kg

## REGULATIONS

cTUVus, FCC/ICES003, Energy Star 8.0, EMC/CE, CB/LVD, GOST-R/EAC, UkrSEPRO, EPEAT, Mexico NOM, Mexico Energy, UKCA, UK-EEL, BSMI, BIS, LBL( Low Blue Light Certification), Flicker Free, Green BOM, RoHS, ErP-Eco, REACH, SCIP, WEEE, TPCH, Packing waste, CA65, PAIA

## PACKAGE CONTENTS

1. Power cord
2. Remote control with AAA battery
3. Touch USB cable
4. Touch pen x 2  
(VB-PEN-009)
5. Quick Start Guide + Compliance statement
6. RS232 adapter
7. Clamp x 5
8. Camera Plate
9. Screw x 8
10. HDMI cable

## COMPATIBLE SLOT-IN PC

- VPC2-O series
- VPC2-O-B series
- VPC25-W33-O1-1B
- VPC27-W53-O1-1B
- VPC12-WPO-17
- VPC12-WPO-18