
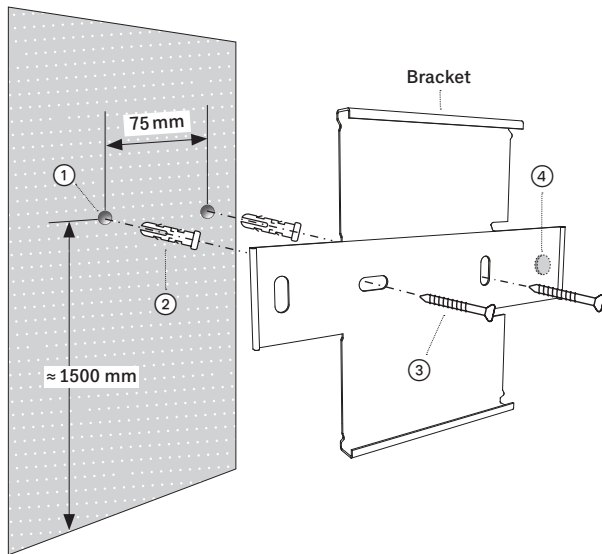


Wall Mount Bracket – Mounting Instructions

- ① Drill 2 holes with 6 mm diameter, at approximately 1500 mm height from the floor.
- ② Fit the 2 screw anchors in the hole.
- ③ Mount the bracket loosely to the wall with the 2 screws. Use the slot on the bracket for final horizontal leveling. After final leveling fix the bracket firmly to the wall.
- ④ Remove the magnet, carefully slide the ROOMZ display inside the bracket and replace the magnet in its original position on the backside of the bracket as anti-theft protection.

 *Align the display with the bracket and insert it carefully, do not apply force.*



Wall Mount Bracket – Mounting Options

