

Rail Kit RKS-02

Quick Installation Guide

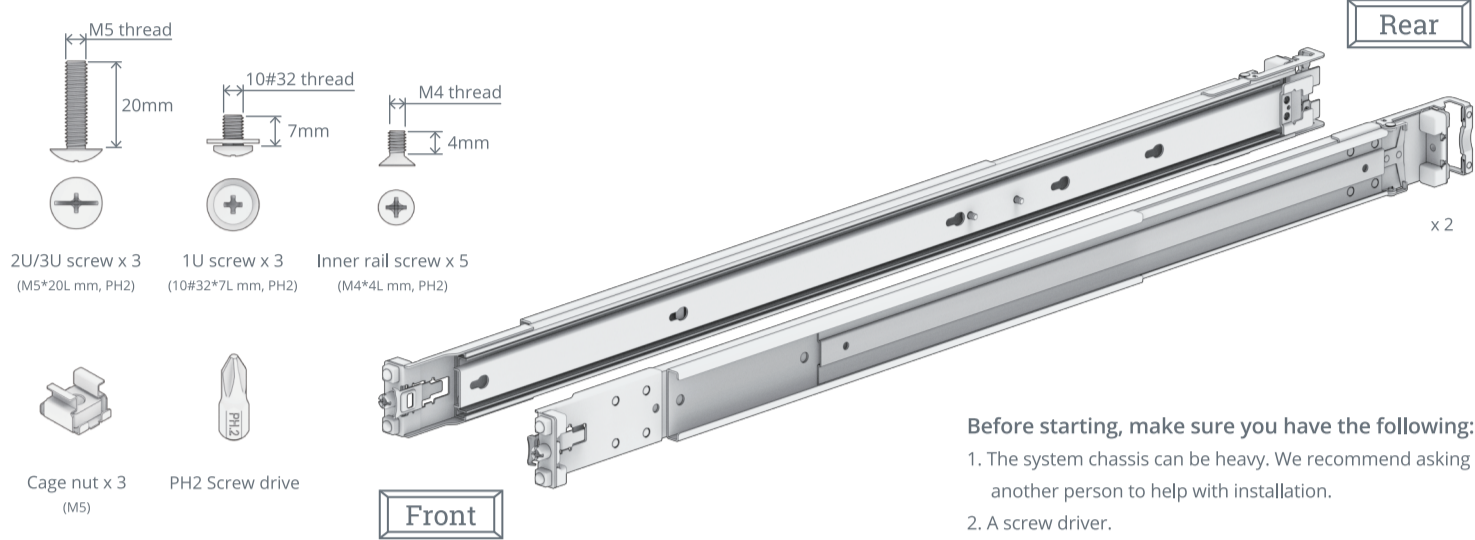
Prepare For Installation

- Register your Synology product at account.synology.com
- For technical support, visit www.synology.com/support

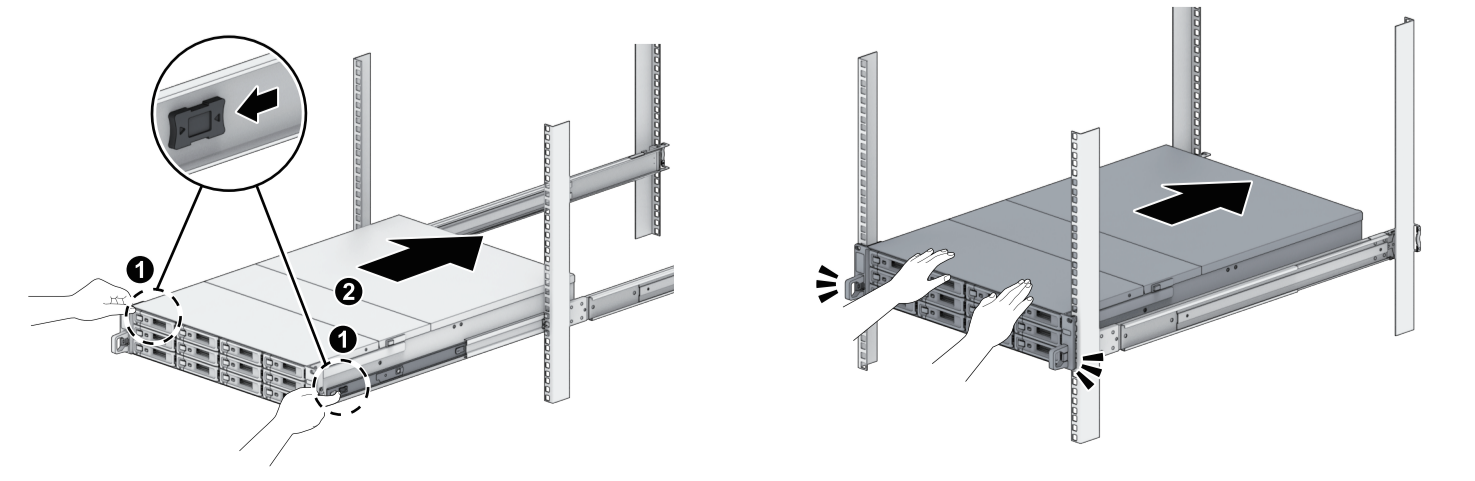
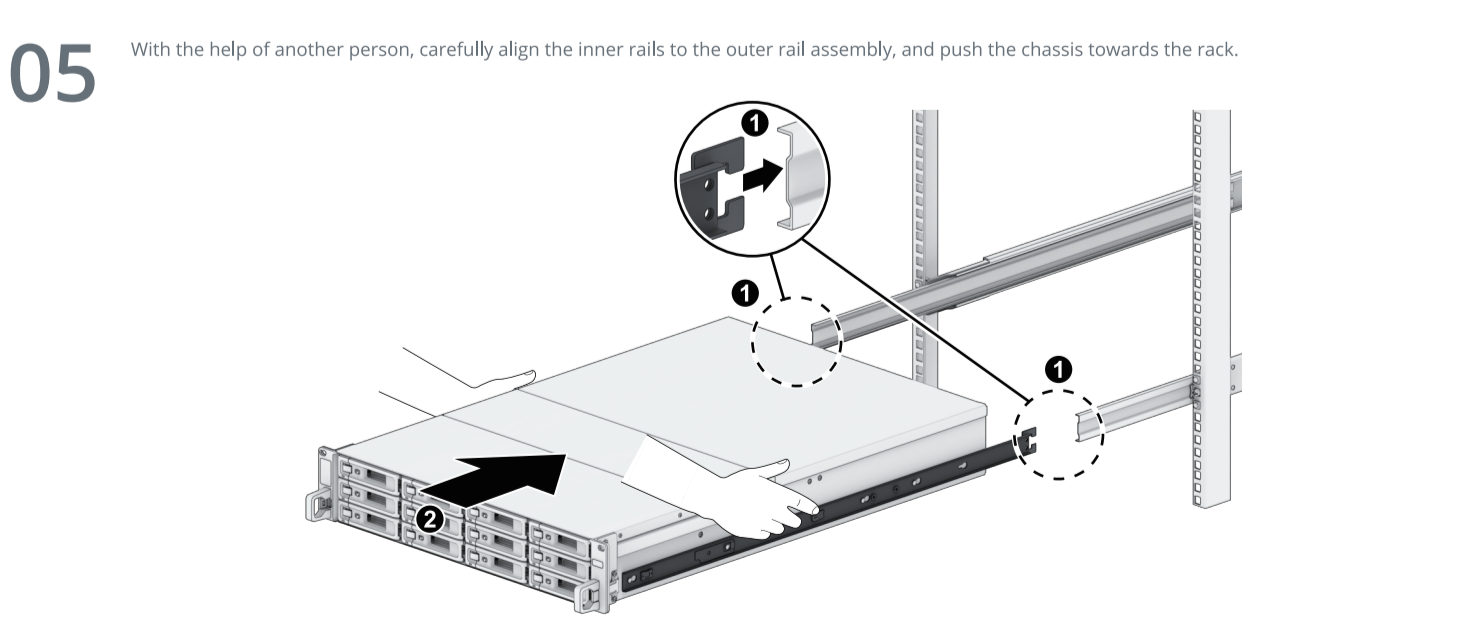
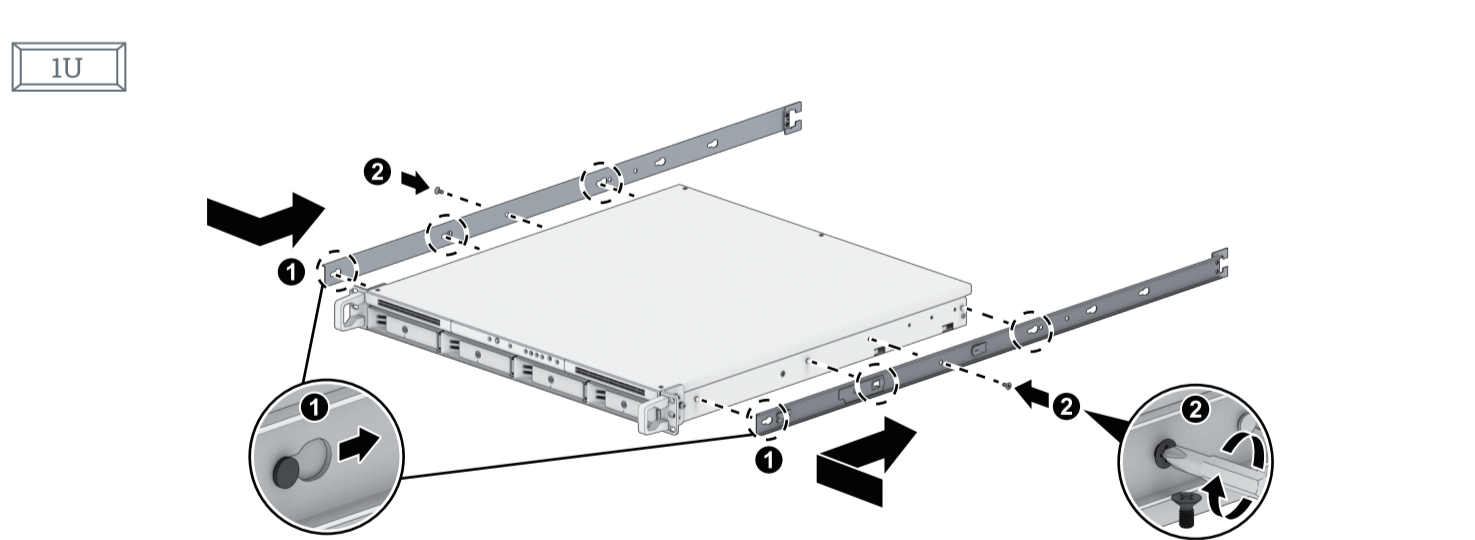
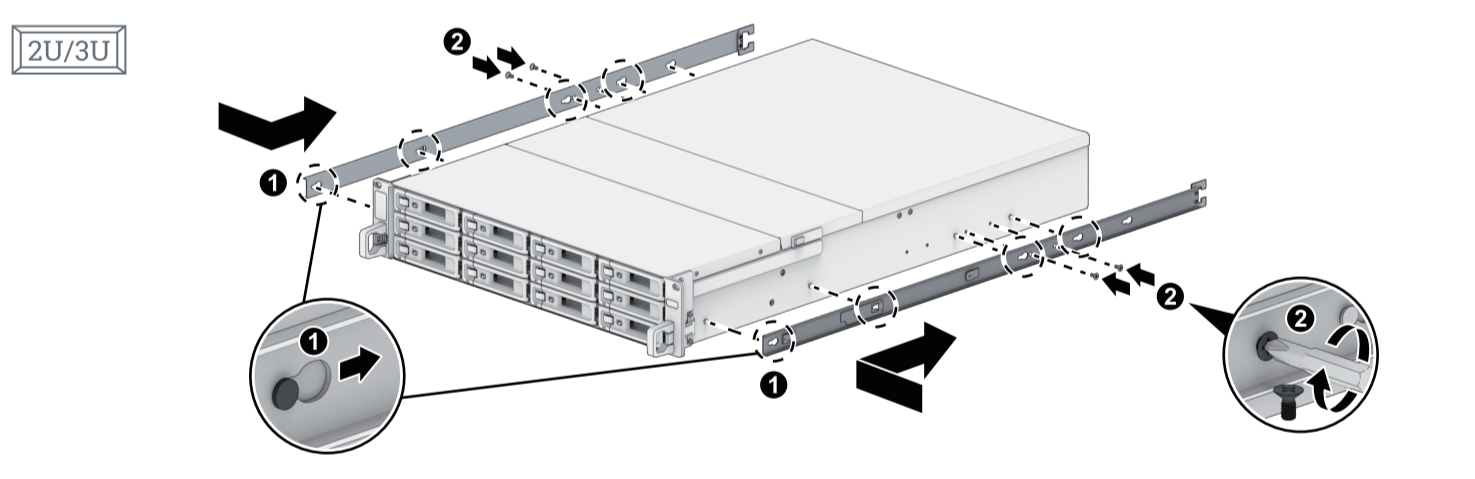
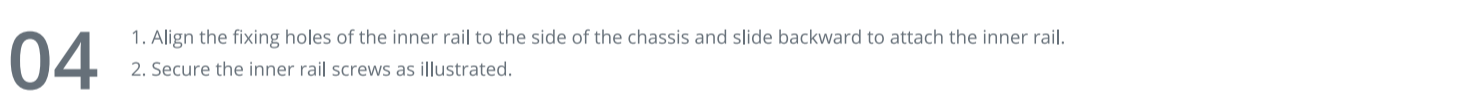
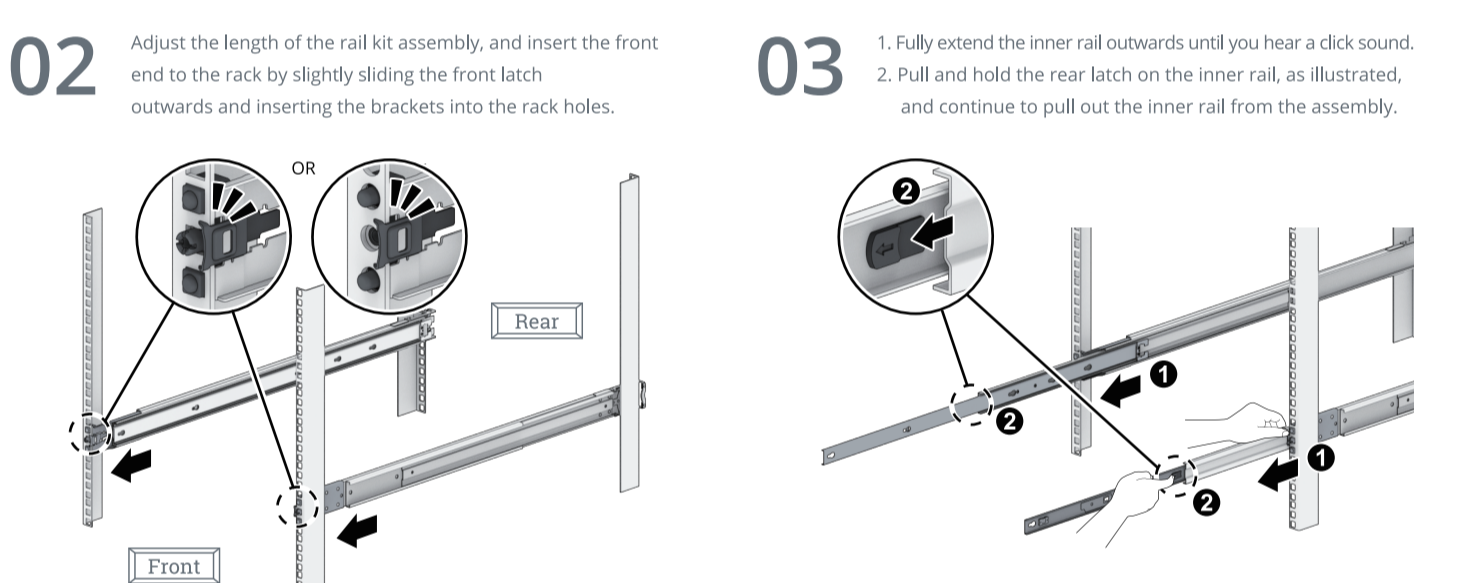
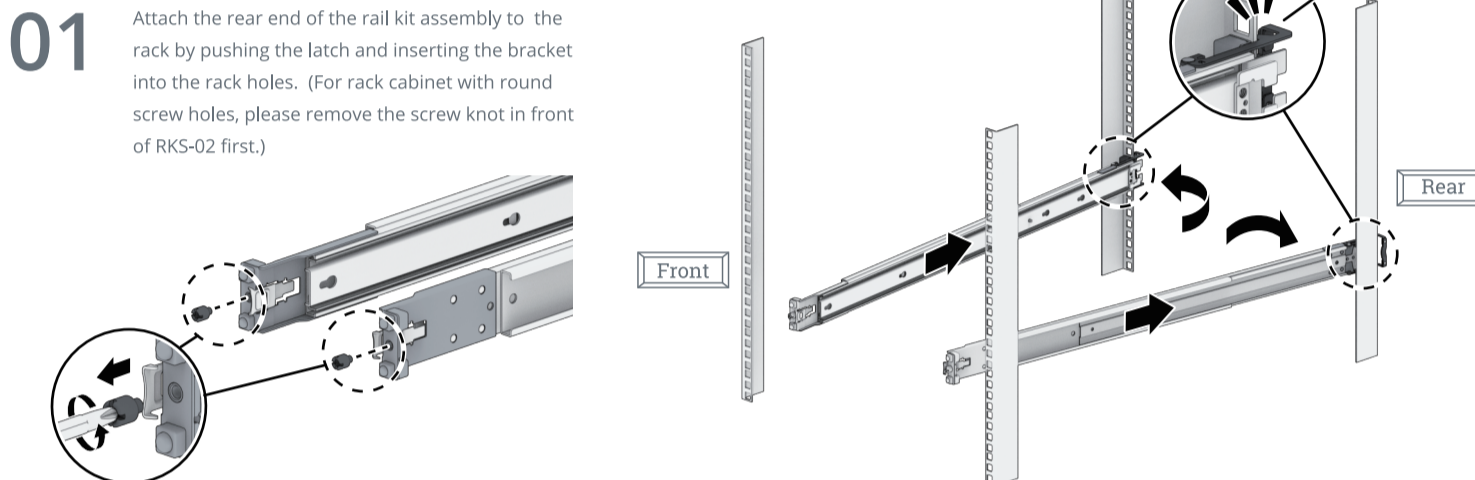
Warranty Notice

The warranty period starts from the purchase date stated on your receipt or invoice, so we recommend you keep your purchase receipt or invoice in a safe place. For more information, please visit www.synology.com/company/legal/warranty

Package Content

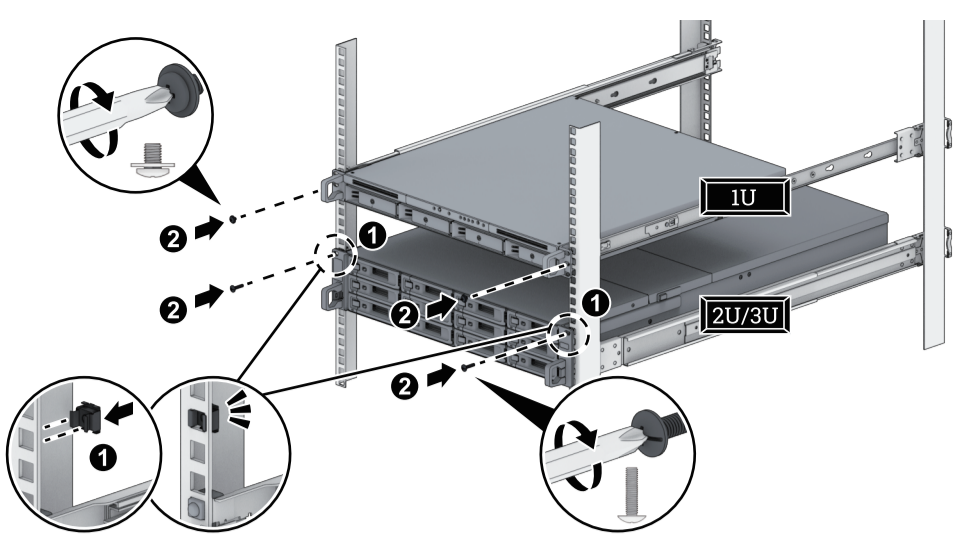


Installation



08

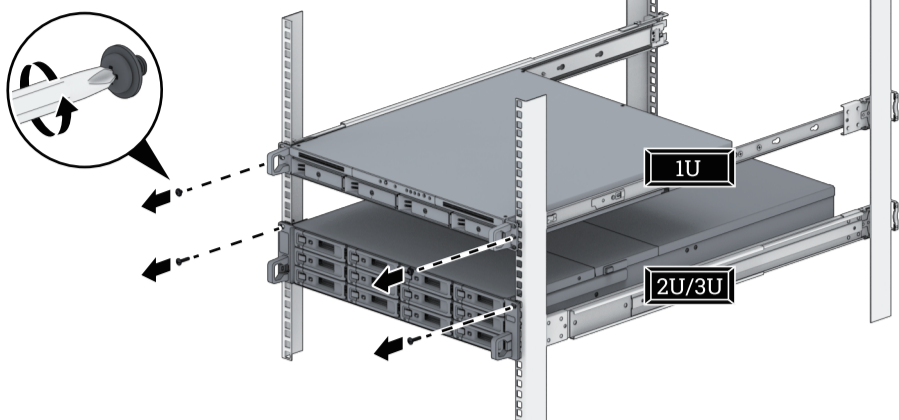
Use the cage nuts and screws in the rail kit package to secure the chassis to the rack if necessary.



Removal

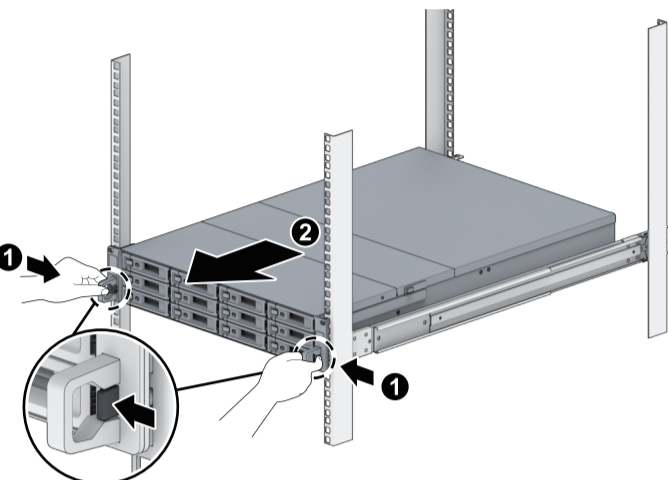
01

To remove the chassis from the rack, loosen and remove the screws from the rack.



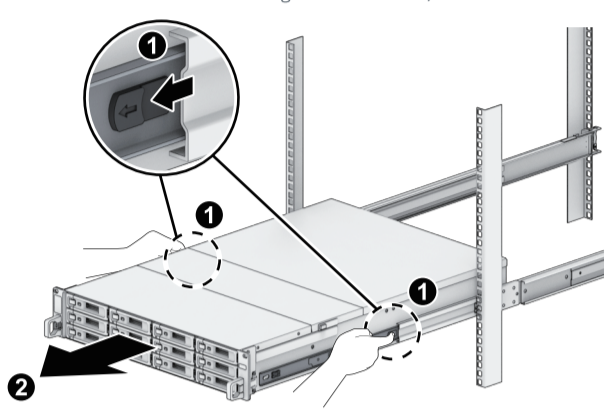
02

For 2U/3U chassis, slide inwards and hold the rail kit release tabs on the ear holders, and pull out the chassis from the rack.



03

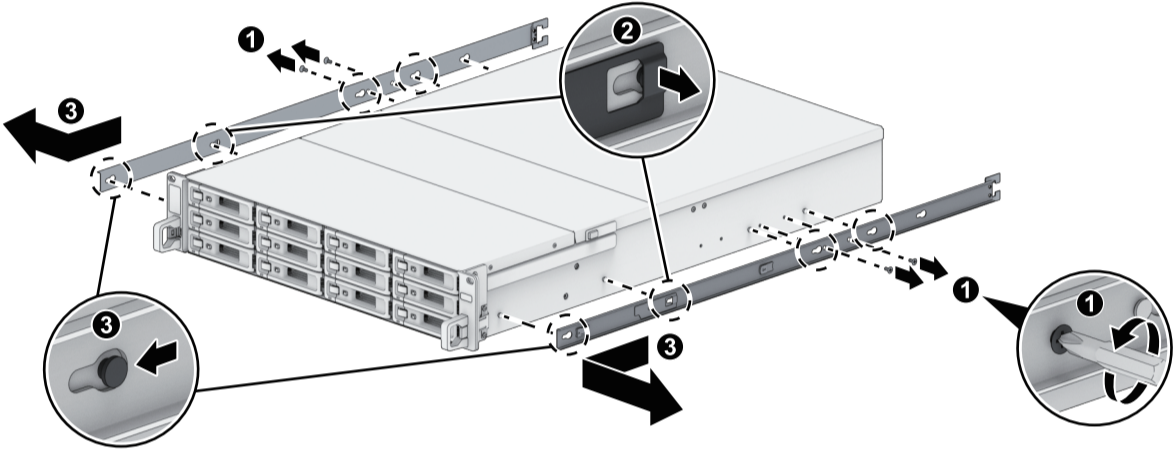
Slide outwards the rear latch of the inner rail to unlock the inner rail from the outer rail assembly. With the help of another person, carefully remove the chassis from the rack. (You may remove all HDDs first to reduce the weight of the chassis.)



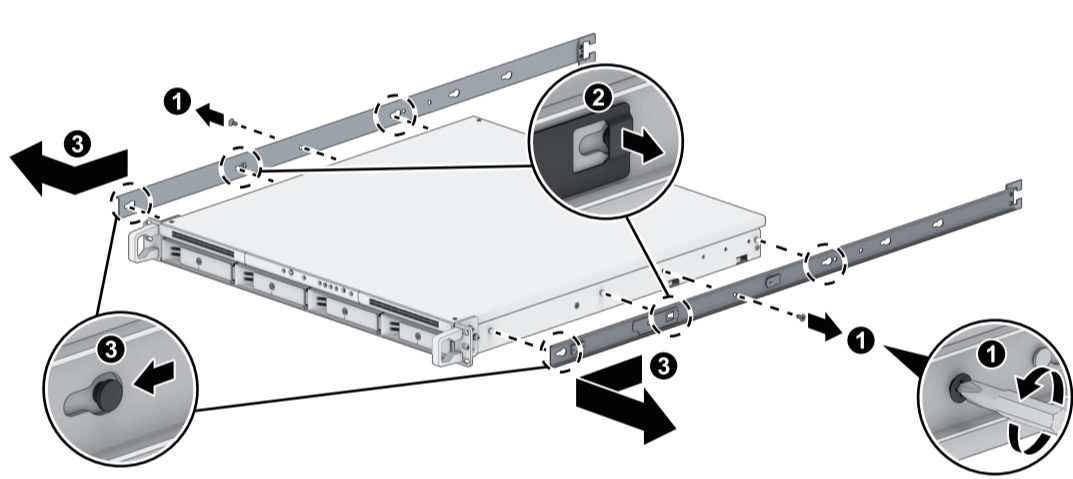
04

Loosen and remove the rail screws. Slightly pull out the middle latch as illustrated, and slide forwards to remove the inner rail from the chassis.

2U/3U

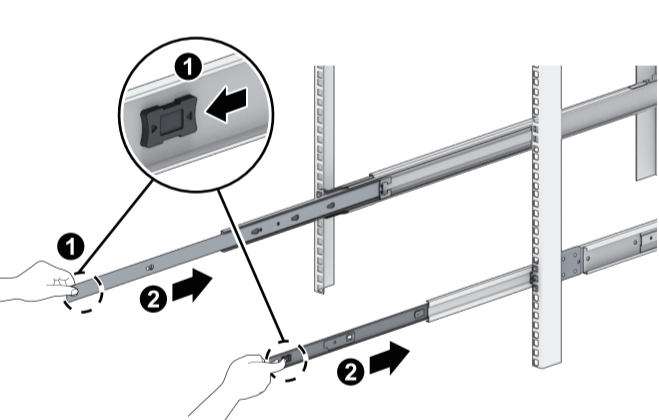


1U



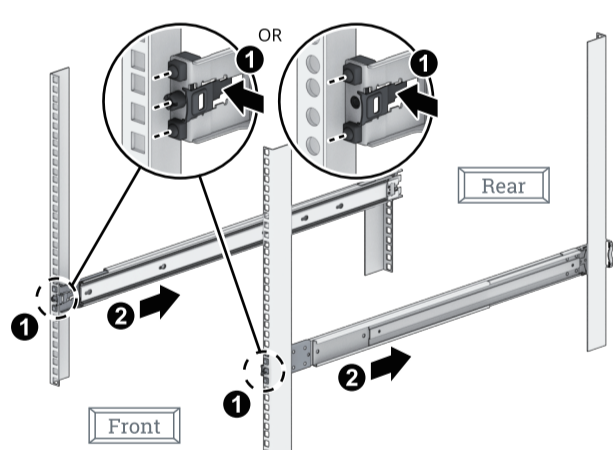
05

Insert the inner rail to the rail kit assembly by pulling outwards and holding its front latch.



06

Push the front latch of the inner rail assembly, and slide backwards to remove the assembly from the rack.



07

Pull the rear latch of the inner rail assembly, and slide forwards to remove the assembly from the rack.

