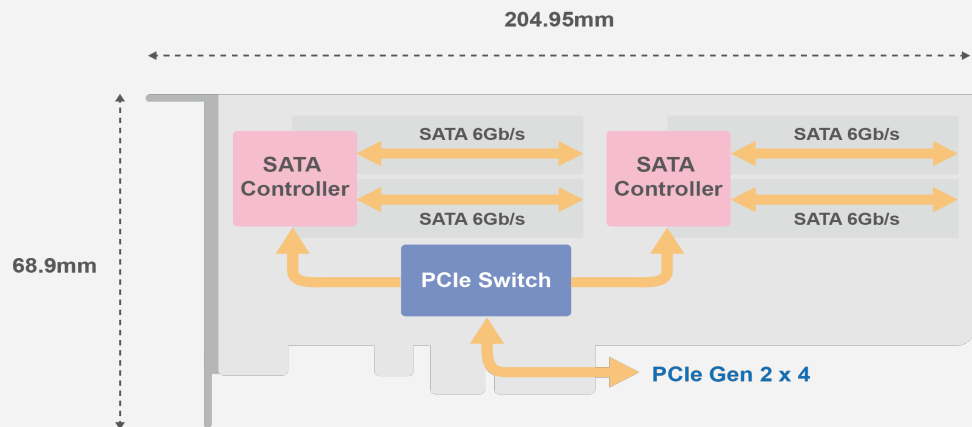


QM2-4S-240

Connector	4 x M.2 2280 SATA SSD slots
PCIe and Lanes	PCIe Gen2 x 4
Bracket	Low-profile (default). Low-profile flat and Full-height brackets are also included.
Dimensions (L x W x H)	204.95 x 68.9 x 20.6 mm
Note [NAS]	<p>Recommended models (please update your NAS to latest version)</p> <p>Note: The TS-x77 and TVS-x82(T) series only supports installing the QM2 in the System Zone PCIe slot (PCIe slot 1).</p> <p>Please check the M.2 SSD compatibility list and QM2 Installation Guide</p>

Architecture Diagram



Note: Use only QNAP memory modules to maintain system performance and stability. For NAS devices with more than one memory slot, use QNAP modules with identical specifications.

Warning: Using unsupported modules may degrade performance, cause errors, or prevent the operating system from starting.

* Sound Level Test

Environment: Refer to ISO 7779; Maximum HDD loaded; Bystander Position; Average data from 1 meter in front of operating NAS.

Product images are for illustrative purposes only and may differ from the actual product. Due to differences in monitors, colors of products may also appear different to those shown on the site.

Designs and specifications are subject to change without notice.