

SAMSUNG



For life. For work.

Monitors for Professionals

Samsung leadership

A global brand

Across the 74 countries we operate in, we put people and their needs at the centre of everything we do and create within our 32 production sites. By consistently defying barriers to make a better world for all, we've built a top 5 best global brand – helping people do what they never thought they could through quality, design and reliability.



YouGov

Best brand ranking
2022



Interbrand

Best brand ranking
2023

266K
Employees*

74
Countries

\$236.8B
Total revenue*

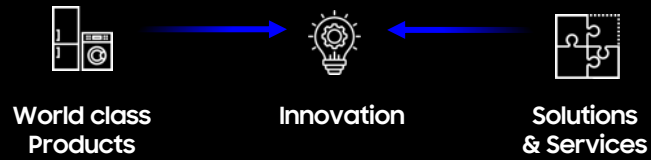
7
Design centres

39
R&D centres

32
Production sites

Samsung leadership

Innovation



Experience

- AI lead optimization



Wellbeing

- Samsung Health App



Eco-steps

- Solar Powered Remotes

Value-Added Proposition

We Delivered
the World's 1st
Smart Monitor

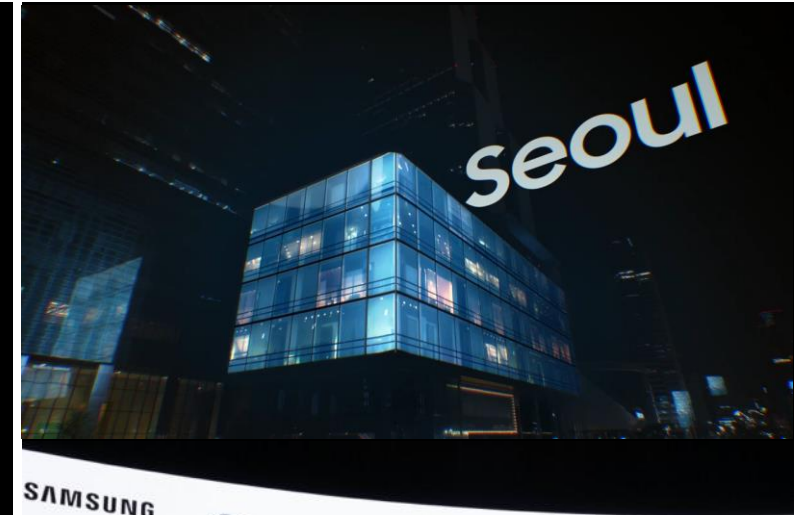


Customers expect more from their monitors



Internal Survey for Smart Monitor Purchaser (VD CMI)

Marketing



SAMSUNG

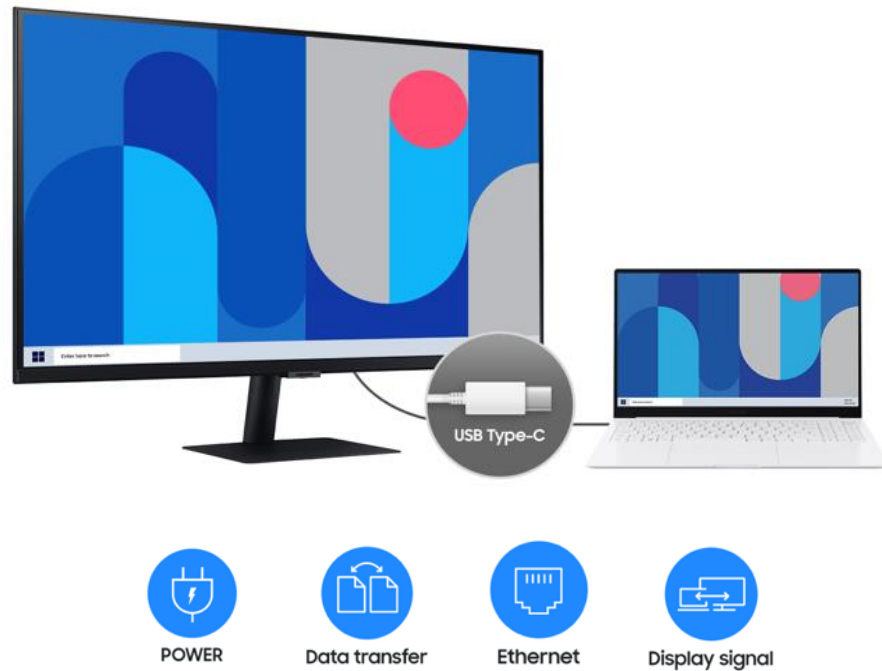


More than just a device manufacturer



One Samsung: Laptop/mobile with monitor

Multitasking made easy!



USB-C provides up to 90W power delivery for fast charging, high-speed data transfer, video signals. But also, with USB-hub at the back of our docking monitors your laptop can connect to everything else, e.g. keyboard, mouse, storage devices, printers etc. **All from one cable!**



With DeX, you can connect selected supported Samsung devices to an external monitor to multitask with multiple apps and windows. Type with a keyboard and control with a mouse for a PC-like experience.

An eco-system of devices



SAMSUNG

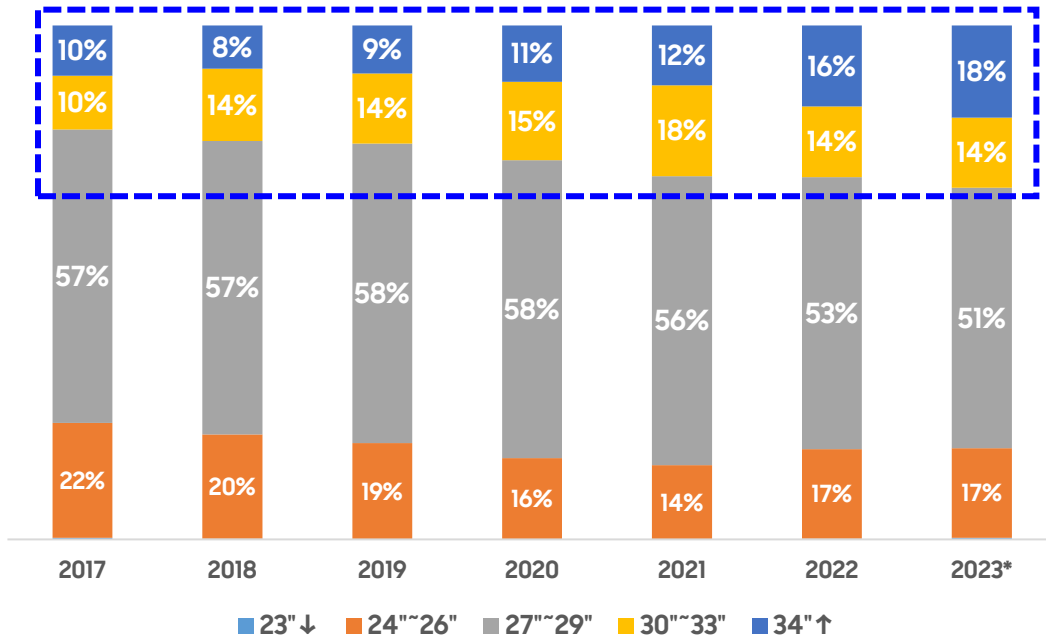
Samsung's Monitor Portfolio

A Monitor for every user & need!

Gaming		Smart		ViewFinity (HRM)		Essential (FHD)				
<p>Flagship</p>  <p>Odyssey OLED G9</p> <p>57" mini-LED 49" OLED</p>	<p>Premium</p>  <p>Odyssey OLED G8</p> <p>34", 32" & 27" OLED UHD Smart Gaming</p>	<p>M8</p>   <p>Smart Monitor M8</p> <p>M80D</p>	<p>M7</p>  <p>Smart Monitor M7</p> <p>M70D</p>	<p>M5</p>  <p>Smart Monitor M5</p> <p>M50D</p>	<p>UHD+</p>  <p>5K ViewFinity S9</p>	<p>UHD</p>  <p>ViewFinity S8</p>	<p>QHD</p>  <p>ViewFinity S6</p>	<p>DQHD</p>  <p>ViewFinity S9</p>	<p>For Consumers</p>    <p>Essential Monitor S3</p> <p>S31C S33GC S36GD</p>	<p>For Professionals</p>   <p>Essential Monitor S4</p> <p>S43GC T45F</p>
<p>Mid-range</p>  <p>Odyssey G5</p> <p>G55C best seller</p>	<p>Entry</p>  <p>Odyssey G4</p> <p>G40B G30D</p>									

Screen Size & Value Development

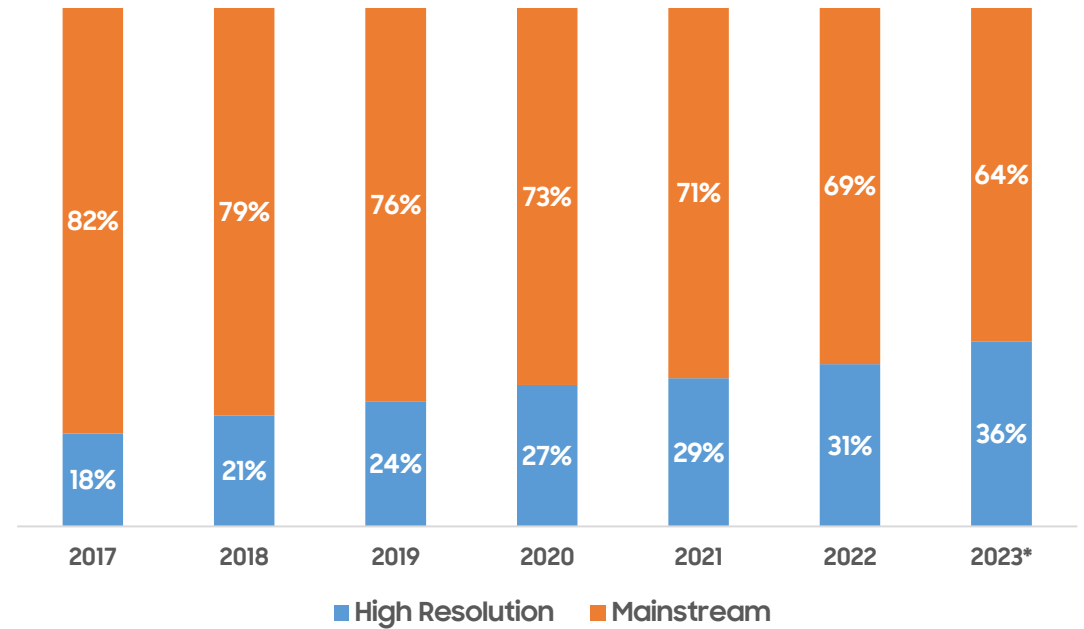
IDC: Units Sold by Screen Size in Europe* (High Resolution)



Comments:

- 27" remains as the most popular screen size
- High Resolution excluding gaming monitors (>=144hz refresh rates)

IDC: Monitors Sold (Value US\$) by Screen Resolution in Europe*



Comments:

- HRM models pushed FHD below 70% FHD sales for the second year in a row
- Data excludes gaming monitors (>144hz refresh rates)

The workplace experience

How employers are responding to various user types



Walk-in & WFH users

Any user can take any available desk or work from home and get to productivity state instantly. All the devices are connected via a single cable



Always-in users

Dedicated workplaces for users who spend the whole day at the desk. Ergonomics is critical to reduce fatigue and maximize user productivity



Office commuters

Those who move around the office between meetings and conference calls. Once they're on their workplace, they need to connect quickly and charge their laptop before the next meeting.



Power users

Users with specific needs like engineers, architects, designers, or executives with dedicated offices. Normally requiring special visual specifications.

Improving workplace well-being

Employees expectations are a greater consideration for employers

Deloitte identifies three pillars on which to build or expand a culture of well-being:



Work

Integrating well-being into the design of work. For example, using technology to promote collaboration.



Workforce

Providing the right mix of benefits, programs & policies. For example, enhanced return-to-work programs.



Workplace

Providing the right mix of benefits, programs & policies. For example, enhanced return-to-work programs.

Employee well-being

70%

Organizations made additional investments in employee well-being over the last 2 years¹

53%

Of employers have a well-being policy²

Taking steps towards a more eco-conscious workplace

Corporate Sustainability Reporting Directive (CSRD)

The EU's CSRD came into effect on Jan 1st 2023 (into local law from 6.7.24). Companies are required to disclose sustainability-related information following European Sustainability Reporting Standards (ESRS) to promote comparability. The directive is unfolding in three stages, with the size of enterprises determining when they need to comply.



From 1 January 2024

(To be reported in '25 on data from '24)
Companies that are already subject to the NFRD. These are companies defined as a public interest organization with more than 500 employees.



From 1 January 2025

(To be reported in '26 on data from '25)
Large companies that exceed at least two of the following three criteria: more than 250 employees, more than €40 million in turnover, more than €20 million in total assets.

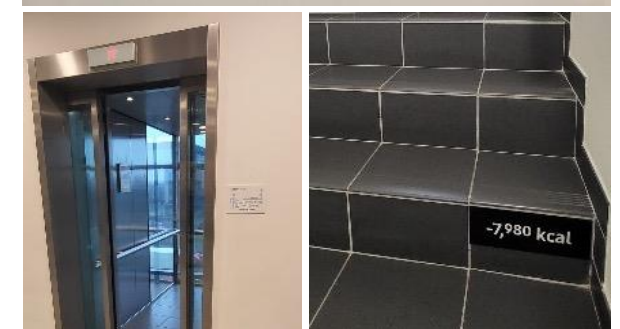


From 1 January 2026

(To be reported in '27 on data from '26)
Listed SMEs, as well as small and non-complex credit institutions (excluding listed micro-enterprises), but with a two-year opt-out option.

From '28

(Report in '29 on data from '28) For non-European companies, the obligation to submit a sustainability report applies to all companies with a net turnover of €150 million in the EU and that have at least one subsidiary or branch within the EU.



Value proposition



For life. For work.

Monitors for Professionals

Samsung's innovative business monitors balance life and work easily with high-end business features and specs, wrapped up in beautiful, ergonomic, human-friendly design.

Delivering Samsung's Brand Value to business users

Samsung Monitors for Professionals value proposition



Experience

From the design of the bezels to intuitive tools, our monitors offer enhanced user experience.

- ✓ Flat and curved displays (up to 1000R curvature)
- ✓ Connectivity (USB-C/Thunderbolt™, LAN, DisplayPort, etc.)
- ✓ Wide color gamut (up to 98% DCI-P3)
- ✓ Color support (up to 1.07 billion colors)
- ✓ Multitasking tools (Picture-by-Picture, Picture-in-Picture)
- ✓ New Design (Flat back & Thin metal base)



Well-being

Our products maximize viewing comfort, while protecting against eye strain.

- ✓ Adaptive picture (adjust brightness & color)
- ✓ Eye Saver Mode (reduces blue light emissions)
- ✓ Flicker Free (no flickering screens)
- ✓ Ergonomic stand (HAS, tilt, swivel, pivot, VESA)
- ✓ Easy Setup Stand (No screws or any tools required for assembly)



Eco-steps

Together we're working to push technology forward with more environmentally conscious innovations.

- ✓ Eco Saving Plus/Save Energy¹ (up to 10% less energy)
- ✓ Our packaging² (reduced plastics and oil-based ink)
- ✓ Industry certifications (TCO Certified³, EPEAT⁴)
- ✓ Increased recycled plastic in manufacturing to 15%⁵
- ✓ Staple free packaging (easier recycling)⁶
- ✓ Zero Chemical Coatings (easier recycling)⁶

SAMSUNG

presents



Monitors for Professionals

The Samsung range of monitors offer a wide choice to help you get the perfect display to suit your needs. One of the first decisions to make is, which screen resolution do you want to go for?

We made it easy for you to pick, with the range split between essential use for great visuals, modern design and innovative technology. Our ViewFinity range offers improvements in resolution, colour reproduction and user well-being.

ViewFinity

The power to perfect professionals

Productive, precise, powerful. Samsung's high resolution ViewFinity monitors deliver innovative experiences that can unlock the potential of business professionals, content creators, and even graphic designers, with technology that brings any vision to life like never seen before.



High resolution

More pixels show more detail, and the wider workspace allows you to view more content with less scrolling and zooming.

1 Billion Colors

Pro-level color expression

With up to 64x more colors, wider color gamut, and more refined shades than conventional monitors to enable the ultimate color precision and accuracy.



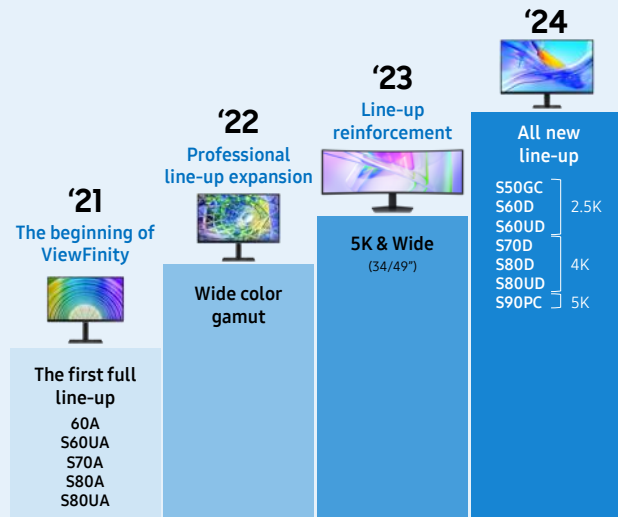
Superior connectivity

Through multiple ports (monitor becomes a docking station through single Thunderbolt™, USB-C, KVM and LAN) & TÜV Intelligent Eye Care in most models.

Samsung ViewFinity 2024 Focus

01

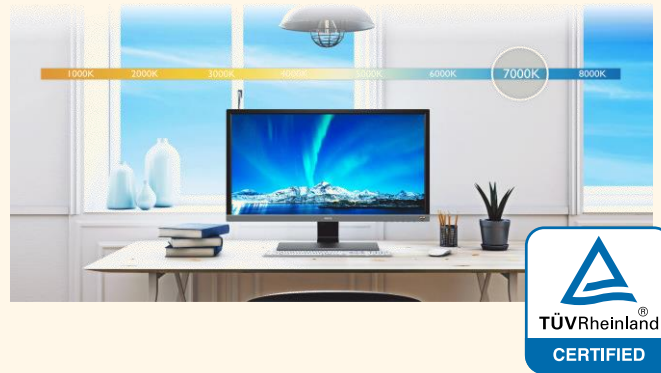
Refined experience



- New large screens (3x 34", 1x 49")
- Higher resolution (QHD, 4K & 5K)
- + Connectivity (Thunderbolt, KVM Switch)

02

Enhanced well-being



- New Intelligent Eye Care Models
- New Ergonomic Design
- Easy setup stand (5 sec. installation¹)

03

Continuous eco-steps



- Eco Saving Plus/Save Energy²
- TCO 9.0³, EPEAT Silver⁴ & PCF Reports
- Zero Chemical Coatings⁵



Essential monitors

Excellence... everyday

Perfect color down to the last detail. A range of monitors with IPS panels to preserve vividness and clarity across every inch of the screen. Work comfortably on the productivity-boosting wide display.

The virtually borderless screen shows you the full picture and looks almost gapless when used in a dual-monitor setup. See more at once, with less distractions in your way, and get through larger sections of your to-do.



IPS panel

Preserves color vividness and clarity of multimedia contents across every inch of the screen through 178° of wide viewing angle.



Flicker Free

Specially designed to produce a single continuous light source, protecting eyes from the constant strain of screen flickering on conventional monitors.



Eye Saver Mode

Reduces blue light emissions which might be harmful to retinas. It's beneficial in preventing eye strain, especially during extended use.

Features for life and work

Filter features by: **Experience** Well-being Eco-steps

Essential

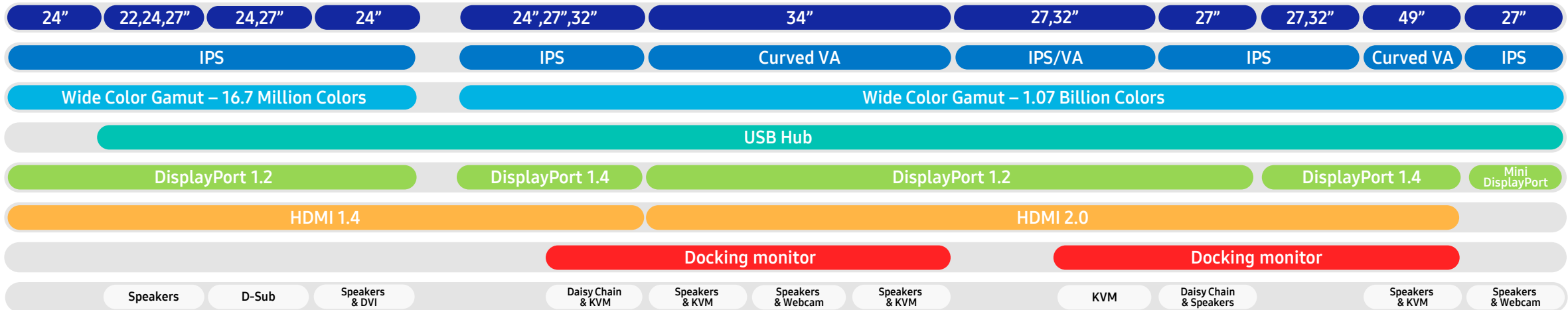


T37F T45F S43GC T45F Wide

ViewFinity



S60D S60UD S65UC S65VC S65TC S80D S80UD S80TB S80PB S95UC S90PC



Features for life and work

Filter features by: Experience **Well-being** Eco-steps

Essential

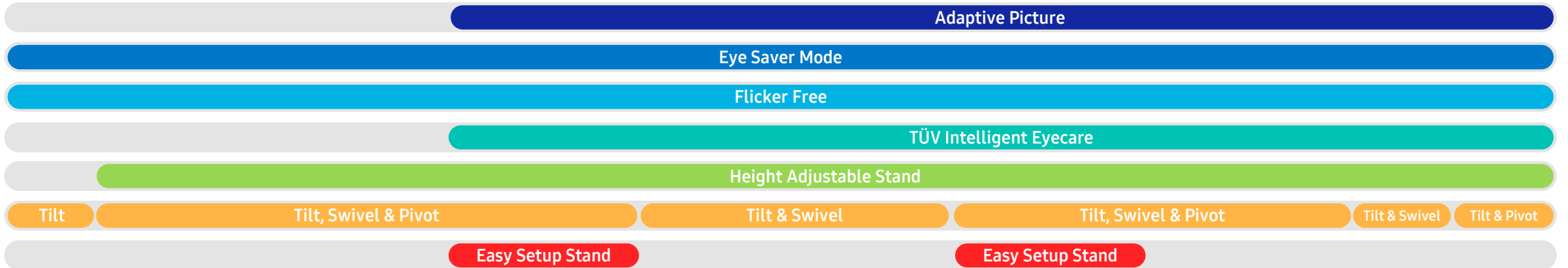


T37F T45F S43GC T45F Wide

ViewFinity

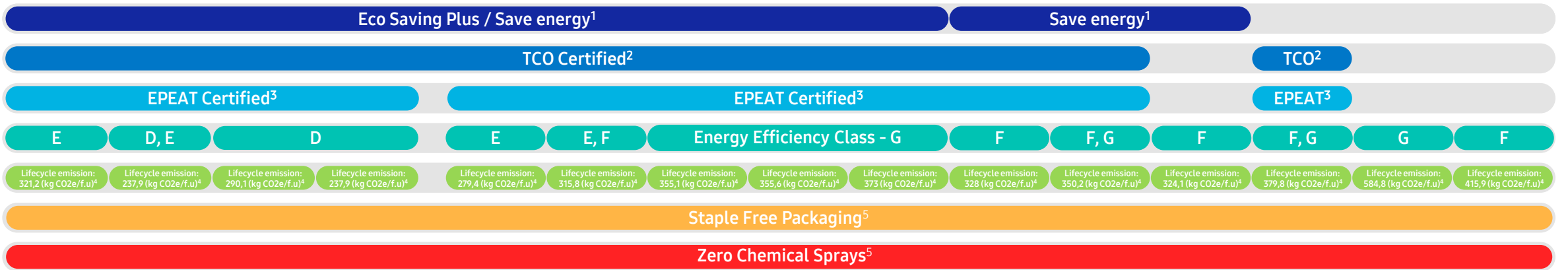


S60D S60UD S65UC S65VC S65TC S80D S80UD S80TB S80PB S95UC S90PC



Features for life and work

Filter features by: Experience Well-being **Eco-steps**



¹For detailed testing information, please see page 75. ²For detailed testing information, please see page 78. ³For detailed testing information, please see page 79. ⁴Lifecycle Emissions shown based on highest emitting size models. The Product Carbon Footprint assessment was completed in accordance with ISO 14067 - Greenhouse gases - Carbon footprint of products - Requirements and guidelines for quantification. Usage Scenario : 40% on mode, 5% sleep mode, 55% off mode. 4 years Electricity Carbon Emission Factor : European Union (IEA2022) CO2 Emission results may vary from region and time of evaluation. ⁵All models are staple free. All models which use 'plastic' materials are chemical spray-free.

Buyer personas

Target demographic

Small Business

Demographic scale

Large Business



Micro & Small

(<10 employees)

Medium

(11-250 employees)

Corporate

(>250 employees)

Public Sector

(Medium/Large)

A professional monitor for every task



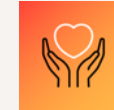
Services

Requirements: **Connectivity** | **Multitasking**



Experience

- ✓ Flat & Curved Displays (24" - 49")
- ✓ Connectivity (USB-C / Thunderbolt)
- ✓ Multitasking (PbP)



Well-being

- ✓ Eye Saver Mode
- ✓ Adaptive Picture
- ✓ Easy setup stand⁵ (No tools required)



Eco-steps

- ✓ Eco Saving Plus/Save energy¹
- ✓ TCO Certified²
- ✓ EPEAT Certified³
- ✓ Zero Chemical Coatings⁴
- ✓ Staple Free Packaging⁴

Suggested models:



S95UC



S80UD



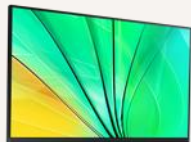
S65VC



S65UC



S60UD



S60D

A professional monitor for every task



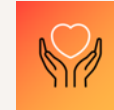
Finance

Requirements: **Multiple/Wide Screens** | **Multitasking**



Experience

- ✓ Flat & Curved Displays (24" - 49")
- ✓ Connectivity (USB-C)
- ✓ Multitasking (PbP)
- ✓ Wide Color Support (1.07 Billion)
- ✓ Gamut (98% DCI-P3)



Well-being

- ✓ Eye Saver Mode
- ✓ Adaptive Picture
- ✓ Easy setup stand⁵
(No tools required)



Eco-steps

- ✓ Eco Saving Plus/Save energy¹
- ✓ TCO Certified²
- ✓ EPEAT Certified³
- ✓ Zero Chemical Coatings⁴
- ✓ Staple Free Packaging⁴

Suggested models:



S95UC



S80D



S65TC



S65UC

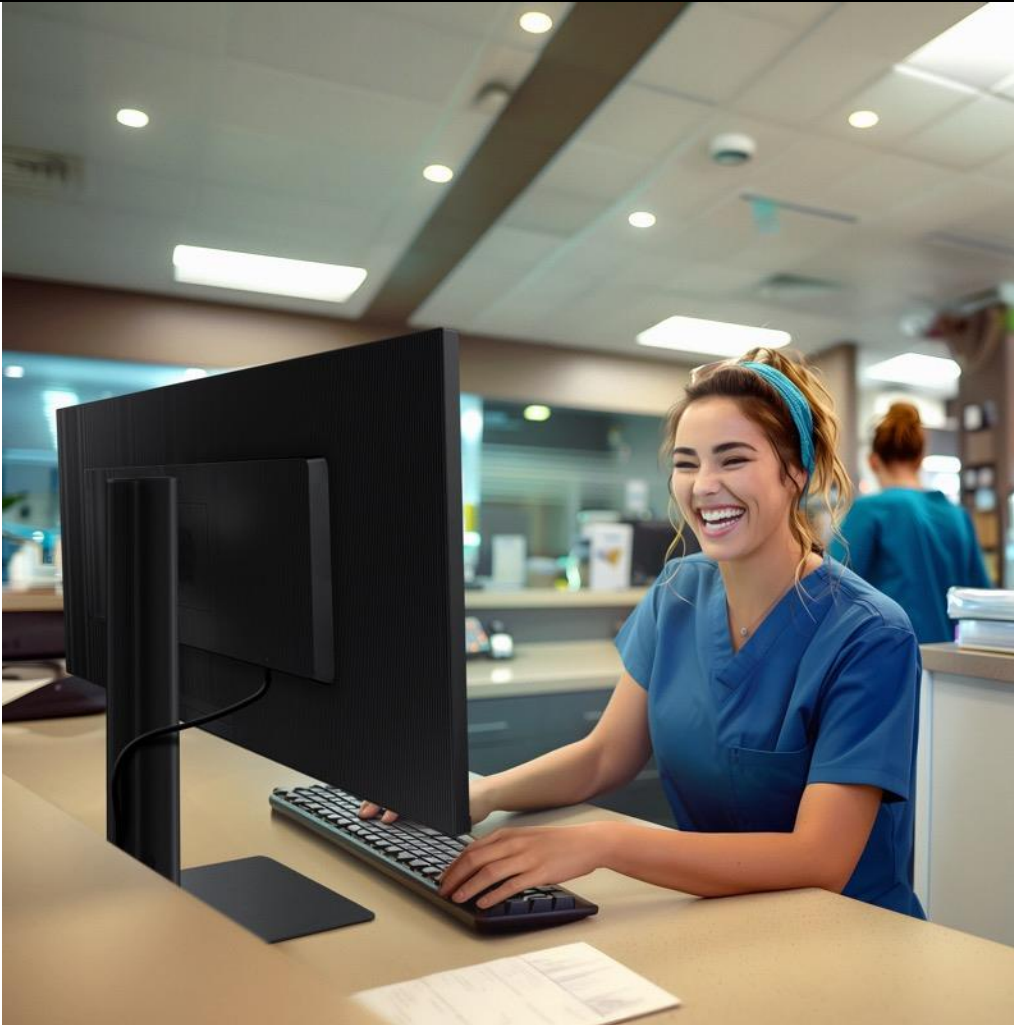


S60UD



S60D

A professional monitor for every task



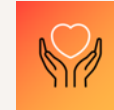
Healthcare

Requirements: **Connectivity** | **Image Quality**



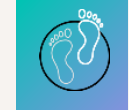
Experience

- ✓ Flat & Curved Displays (24"-34")
- ✓ Resolution (QHD/UHD/UWQHD)
- ✓ Wide Color Support (1.07 Billion)
- ✓ Gamut (98% DCI-P3)



Well-being

- ✓ Eye Saver Mode
- ✓ Adaptive Picture
- ✓ Easy setup stand⁵
(No tools required)



Eco-steps

- ✓ Eco Saving Plus/Save energy¹
- ✓ TCO Certified²
- ✓ EPEAT Certified³
- ✓ Zero Chemical Coatings⁴
- ✓ Staple Free Packaging⁴

Suggested models:



S80UD



S80D



S65TC



S65UC



S60UD



S60D

A professional monitor for every task



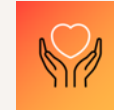
Hospitality

Requirements: **Connectivity** | **Multitasking**



Experience

- ✓ Flat & Curved Displays (24"-49")
- ✓ Resolution (QHD/UHD/UWQHD)
- ✓ Wide Color Support (1.07 Billion)
- ✓ Gamut (98% DCI-P3)



Well-being

- ✓ Eye Saver Mode
- ✓ Adaptive Picture
- ✓ Easy setup stand⁵
(No tools required)



Eco-steps

- ✓ Eco Saving Plus/Save energy¹
- ✓ TCO Certified²
- ✓ EPEAT Certified³
- ✓ Zero Chemical Coatings⁴
- ✓ Staple Free Packaging⁴

Suggested models:



S95UC



S80PB



S80UD



S65TC



S60UD



S60D

SAMSUNG

Our ViewFinity monitor line up

For life. For work.

ViewFinity monitor line up



With crisp life-like colors and perfect picture quality, our ViewFinity range sets a new benchmark for high resolution.

Created for creative professionals and productive workers, including designers and content creators, the ViewFinity monitors offer power and precision for creatives who demand peak performance.

Accurate color expression allows you to work creatively and precisely in vivid color. Work in comfort with ergonomic design and limitless workspace and unlock your potential to be more productive than ever. See more and create better.



24" – 49"



QHD, UWQHD, Double QHD, UHD and 5K up to 5120 x 2880



Ergonomic & Eye-saving



Higher Refresh Rates¹



Flat IPS/VA & Curved VA Panels



Superior Connectivity

The ViewFinity S6 (S60D)

[View full info](#)



Experience stunning accuracy and deeper detail with the Samsung ViewFinity S60D monitor for professionals.

Free up desk space, and embrace a more efficient setup with an ergonomic, fully-adjustable design. Waste no time finding inputs with Automatic Source Switch Plus, and keep your eyes fresh on those late-night projects with automatically-adjusting eye care technology.

S60A Key Specs:

24,27,32" QHD

Screen Size (class)

Resolution: 2560 x 1440

IPS

Panel Type

350

Brightness (cd/m2)



Experience

- Flat Display (24", 27" & 32" IPS)
- Connectivity (1x DisplayPort, 1x HDMI, 3x USB)
- 1.07 Billion Colors
- Wide Color Gamut (99% sRGB)
- Multitasking Tools (PiP, PbP)
- Screen brightness (350 cd/m2) new model has a 17% improvement from the predecessor model.



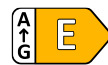
Well-being

- Adaptive Picture (Auto adjust brightness & color)
- Eye Saver Mode (Minimize blue light emission)
- Flicker Free
- TÜV Intelligent Eye Care¹
- Ergonomic Stand (HAS, Tilt, Swivel & Pivot)
- Easy Setup Stand (No screws or any tools required for assembly)



Eco-steps

- Save Energy² (use up to 10% less energy)
- TCO Certified³ (9.0)
- EPEAT Silver⁴
- Zero Chemical Coatings⁵
- Staple Free Packaging⁵



¹Intelligent Eye Care is certified by TÜV Rheinland. For more details, visit www.tuv.com. ²Based on internal testing data of S80PB, S80TB and T45F monitors only. Testing compared energy usage of these models with Eco Saving Plus mode switched on high setting and switched off. Actual energy savings may vary based on usage conditions, brightness levels, and model selected. Eco Saving Plus is not available in Dynamic Contrast Mode, Game Mode, Eye Saver Mode, or when PiP/PbP Mode is on. ³See www.tco-certified.com for more information. ⁴See www.epeat.net for more information. TCO and EPEAT certification does not apply to 32" models. ⁵All models are staple free. All recycled plastics used in our monitors are chemical spray-free.

The ViewFinity S6 (S60UD)

[View full info](#)



Experience deeper detail and true-to-life color representation with the Samsung ViewFinity S60UD business monitor.

With QHD, 100Hz refresh rate, and a gamut of 1.07 billion colors, every piece of content becomes a joy to look at.

The ergonomic design elevates your productivity and workspace by Daisy Chain and the built-in KVM switch, which lets you connect and control two sources at once.

S60UD Key Specs:

24,27,32" QHD

Screen Size (class)

Resolution: 2560 x 1440

IPS

Panel Types

100Hz

Refresh rate



Experience

- Flat Display (24", 27" & 32" IPS)
- Connectivity (1x LAN, 1x DisplayPort, 1x HDMI, 3x USB, 1x USB-C)
- 1.07 Billion Colors
- Wide Color Gamut (99% sRGB)
- Multitasking Tools (PiP, PbP, Daisy Chain)
- KVM Switch for better multitasking and multi-device/OS productivity



Well-being

- Adaptive Picture (Auto adjust brightness & color)
- Eye Saver Mode (Minimize blue light emission)
- Flicker Free
- Ergonomic Stand (HAS, Tilt, Swivel & Pivot)
- TÜV Intelligent Eye Care¹
- Easy Setup Stand (No screws or any tools required for assembly)



Eco-steps

- Save Energy²(use up to 10% less energy)
- TCO Certified³ (9.0)
- EPEAT Silver⁴
- Zero Chemical Coatings⁵
- Staple Free Packaging⁵



24" Models

27" & 32" Models

¹Intelligent Eye Care is certified by TÜV Rheinland. For more details, visit www.tuv.com. ²Based on internal testing data of S80PB, S80TB and T45F monitors only. Testing compared energy usage of these models with Eco Saving Plus mode, also known as Save Energy on newer models, switched on high setting and switched off. Actual energy savings may vary based on usage conditions, brightness levels, and model selected. Eco Saving Plus is not available in Dynamic Contrast Mode, Game Mode, Eye Saver Mode, or when PiP/PbP-Mode is on. ³See www.tcocertified.com for more information. ⁴See www.epeat.net for more information. ⁵All models are staple free. All recycled plastics used in our monitors are chemical spray-free.

The ViewFinity S6 (S65UC)

[View full info](#)



Experience a bigger picture and enhanced productivity with the Samsung S65UC ViewFinity curved business monitor.

Immerse yourself in our 34" wide curved display. Designed for seamless single screen multitasking, you can work more productively and in greater comfort. Make use of multiple connectivity options, and effortlessly toggle between sources connected to the monitor with a built-in KVM switch.

S65UC Key Specs:

34"
Screen Size (class)

UWQHD
Resolution: 3440 x 1440

KVM Switch

Easy input switching and multitasking



Experience

- Curved Display (34" VA, 1000R)
- Connectivity (1x LAN, 1x DisplayPort, 1x HDMI, 3x USB, 1x USB-C)
- 1.07 Billion Colors
- Wide Color Gamut (115% sRGB)
- Multitasking Tools (PiP, PbP)
- KVM Switch
- Speakers (2x 5W)



Well-being

- Adaptive Picture (Auto adjust brightness & color)
- Eye Saver Mode (Minimize blue light emission)
- Flicker Free
- Ergonomic Stand (HAS, Tilt & Swivel)



Eco-steps

- Save Energy¹ (use up to 10% less energy)
- TCO Certified² (9.0)
- EPEAT Silver³
- Zero Chemical Coatings⁴
- Staple Free Packaging⁴



¹Based on internal testing data of S80PB, S80TB and T45F monitors only. Testing compared energy usage of these models with Eco Saving Plus mode, also known as Save Energy on newer models, switched on high setting and switched off. Actual energy savings may vary based on usage conditions, brightness levels, and model selected. Eco Saving Plus is not available in Dynamic Contrast Mode, Game Mode, Eye Saver Mode, or when PiP/PbP Mode is on. ²See www.tco certified.com for more information. ³See www.epeat.net for more information. ⁴All models are staple free. All recycled plastics used in our monitors are chemical spray-free.

The ViewFinity S6 (S65VC)

[View full info](#)



Experience a bigger picture and enhanced productivity with the Samsung S65VC ViewFinity ultra-wide curved business monitor.

See more at a single glance on our 34" curved display. Designed for seamless single screen multitasking, you can work efficiently and in greater comfort. Stay connected through video calls and streaming without any extra devices. When it's not needed, the camera can be pushed down to keep a sleek profile. Windows Hello uses the camera and biometrics to securely sign you into any Windows 11 device, app or website without a password.

S65VC Key Specs:

34"
Screen Size (class)

UWQHD
Resolution: 3440 x 1440

5 megapixel
Built-in, retractable camera



Experience

- Curved Display (34" VA, 1000R)
- Connectivity (1x LAN, 1x DisplayPort, 1x HDMI, 2x USB, 1x USB-C)
- 1.07 Billion Colors
- Wide Color Gamut (115% sRGB)
- Multitasking Tools (PiP, PbP)
- KVM Switch
- Speakers (2x 5W)
- Built-in Camera (5MP, IR Camera)



Well-being

- Adaptive Picture (Auto adjust brightness & color)
- Eye Saver Mode (Minimize blue light emission)
- Flicker Free
- Ergonomic Stand (HAS, Tilt & Swivel)



Eco-steps

- Save Energy¹ (use up to 10% less energy)
- TCO Certified² (9.0)
- EPEAT Silver³
- Zero Chemical Coatings⁴
- Staple Free Packaging⁴



¹Based on internal testing data of S80PB, S80TB and T45F monitors only. Testing compared energy usage of these models with Eco Saving Plus mode, also known as Save Energy on newer models, switched on high setting and switched off. Actual energy savings may vary based on usage conditions, brightness levels, and model selected. Eco Saving Plus is not available in Dynamic Contrast Mode, Game Mode, Eye Saver Mode, or when PiP/PbP Mode is on. ²See www.tco-certified.com for more information. ³See www.epeat.net for more information. ⁴All models are staple free. All recycled plastics used in our monitors are chemical spray-free.

The ViewFinity S6 (S65TC)

[View full info](#)



Experience stunning visuals on a wider display with the Samsung S65TC ViewFinity curved business monitor.

Enhance productivity and multitasking on an ultra-wide screen, while enjoying sharper and more precise detail.

Take in near-limitless hues and true-to-life color representation, with darker darks and brighter brights for a jaw-dropping visual experience.

S65TC Key Specs:

34" **UWQHD**
Screen Size (class) Resolution: 3440 x 1440

KVM Switch

Easy input switching and multitasking



Experience

- Curved Display (34" VA, 1000R)
- Connectivity (1x LAN, 1x DisplayPort, 1x HDMI, 3x USB, 2x Thunderbolt™4)
- 1.07 Billion Colors
- Wide Color Gamut (115% sRGB)
- Multitasking Tools (PiP, PbP)
- KVM Switch
- Speakers (2x 5W)



Well-being

- Adaptive Picture (Auto adjust brightness & color)
- Eye Saver Mode (Minimize blue light emission)
- Flicker Free
- Ergonomic Stand (HAS, Tilt & Swivel)
- TÜV Intelligent Eye Care¹



Eco-steps

- Save Energy² (use up to 10% less energy)
- TCO Certified³ (9.0)
- EPEAT Silver⁴
- Zero Chemical Coatings⁵
- Staple Free Packaging⁵



¹Eye Comfort Validation by TÜV Rheinland: Samsung Curved Monitor was validated by TÜV Rheinland, the worldwide recognized certification institute in Germany. TÜV Rheinland tested the performance of Samsung Curved Monitors on reducing picture distortion and increasing eye comfort. 80% of participants in the eye comfort test has chosen comfortable for curved monitor. Intelligent Eye Care is certified by TÜV Rheinland. For more details, visit www.tuv.com. ²Based on internal testing data of S80PB, S80TB and T45F monitors only. Testing compared energy usage of these models with Eco Saving Plus mode, also known as Save Energy on newer models, switched on high setting and switched off. Actual energy savings may vary based on usage conditions, brightness levels, and model selected. Eco Saving Plus is not available in Dynamic Contrast Mode, Game Mode, Eye Saver Mode, or when PiP/PbP Mode is on. ³See www.tcocertified.com for more information. ⁴See www.epeat.net for more information. ⁵All models are staple free. All recycled plastics used in our monitors are chemical spray-free.

The ViewFinity S8 (S80D)

[View full info](#)



Experience visual excellence and deeper detail with the Samsung ViewFinity S80D business monitor.

Immerse yourself in every pixel through a wider gamut of 1.07 billion colors and UHD solution, creating darker darks and brighter brights. The ergonomic design, multiple ports, and Easy Stand Setup creates straightforward convenience, as well as a seamless workflow, whatever the task at hand.

S80D Key Specs:

27,32"

Screen Size (class)

UHD

Resolution: 3840 x 2160

IPS/VA

Panel Types

350

Brightness (cd/m2)



Experience

- Flat Display (27" IPS, 32" VA)
- Connectivity (1x DisplayPort, 1x HDMI, 3x USB)
- 1.07 Billion Colors
- Wide Color Gamut (99% sRGB)
- Multitasking Tools (PiP, PbP)
- Screen brightness (350 cd/m2) this model has a 17% improvement from the predecessor model.



Well-being

- Adaptive Picture (Auto adjust brightness & color)
- Eye Saver Mode (Minimize blue light emission)
- Flicker Free
- Ergonomic Stand (HAS, Tilt, Swivel & Pivot)
- Easy Setup Stand (No screws or any tools required for assembly)
- TÜV Intelligent Eye Care¹



Eco-steps

- Eco Saving Plus² (use up to 10% less energy)
- TCO Certified³ (9.0)
- EPEAT Silver⁴
- Zero Chemical Coatings⁵
- Staple Free Packaging⁵



The ViewFinity S8 (S80UD)

[View full info](#)



Experience detail like never before and true-to-life color representation with the Samsung ViewFinity S80UD monitor for professionals.

The UHD resolution and wide color gamut creates stunning visuals and accuracy, which you can connect to through a USB-C port that allows 90W charging and data transfer at the same time. What's more, you can elevate your efficiency with the built-in KVM switch on the flexible, height-adjustable screen that rotates 90 degrees to create a truly unique workspace.

S80UD Key Specs:

27,32"

Screen Size (class)

UHD

Resolution: 3840 x 2160

IPS/VA

Panel Types

90W

Charging via USB-C



Experience

- Flat Display (27" IPS, 32" VA)
- Connectivity (1x DisplayPort, 1x HDMI, 3x USB, 1x USB-C)
- 1.07 Billion Colors
- Wide Color Gamut (99% sRGB)
- Multitasking Tools (PiP, PbP)
- KVM Switch for better multitasking and multi-device/OS productivity



Well-being

- Adaptive Picture (Auto adjust brightness & color)
- Eye Saver Mode (Minimize blue light emission)
- Flicker Free
- Ergonomic Stand (HAS, Tilt, Swivel & Pivot)
- Easy Setup Stand (No screws or any tools required for assembly)
- TÜV Intelligent Eye Care¹



Eco-steps

- Save energy² (use up to 10% less energy)
- TCO Certified³ (9.0)
- EPEAT Silver⁴
- Zero Chemical Coatings⁵
- Staple Free Packaging⁵



27" Models

32" Models

¹Intelligent Eye Care is certified by TÜV Rheinland. For more details, visit www.tuv.com. ²Based on internal testing data of S80PB, S80TB and T45F monitors only. Testing compared energy usage of these models with Eco Saving Plus mode, also known as Save Energy on newer models, switched on high setting and switched off. Actual energy savings may vary based on usage conditions, brightness levels, and model selected. Eco Saving Plus is not available in Dynamic Contrast Mode, Game Mode, Eye Saver Mode, or when PiP/PbP Mode is on. ³See www.tcocertified.com for more information. ⁴See www.epeat.net for more information. ⁵All models are staple free. All recycled plastics used in our monitors are chemical spray-free.

The ViewFinity S8 (S80TB)

[View full info](#)



Experience deeper detail and perfect clarity with the Samsung S80TB ViewFinity business monitor.

Take in your display in perfect detail in 4K UHD resolution. With 4 times as many pixels as full HD, you can enjoy a cinematic viewing experience with extraordinary clarity and depth of color.

Streamline your set-up with ergonomic design and built-in speakers for a comfortable and productive workspace. Make use of versatile connecting ports, including Thunderbolt™ and enjoy easy connection with other monitors.

S80TB Key Specs:

27"
Screen Size (class)

UHD
Resolution: 3840 x 2160

IPS
Panel Type

Daisy Chain
With 2x Thunderbolt™



Experience

- Flat Display (27" IPS)
- Connectivity (1x LAN, 1x HDMI, 3x USB, 2x TBT4)
- 1.07 Billion Colors
- Wide Color Gamut (99% sRGB)
- Multitasking Tools (PiP, PbP)
- Daisy Chain
- Speakers (2x 5W)



Well-being

- Adaptive Picture (Auto adjust brightness & color)
- Eye Saver Mode (Minimize blue light emission)
- Flicker Free
- Ergonomic Stand (HAS, Tilt, Swivel & Pivot)
- Wall Mount (VESA)



Eco-steps

- Save energy¹ (use up to 10% less energy)
- Zero Chemical Coatings²
- Staple Free Packaging²



¹Based on internal testing data of S80PB, S80TB and T45F monitors only. Testing compared energy usage of these models with Eco Saving Plus mode switched on high setting and switched off. Actual energy savings may vary based on usage conditions, brightness levels, and model selected. Eco Saving Plus is not available in Dynamic Contrast Mode, Game Mode, Eye Saver Mode, or when PiP/PbP Mode is on. ²All models are staple free. All recycled plastics used in our monitors are chemical spray-free.

The ViewFinity S8 (S80PB)

[View full info](#)



Experience deeper detail and perfect clarity with the Samsung S80PB ViewFinity monitor.

Take in picture-perfect detail from the world's first UL certified glare-free monitor. The matte 4K UHD resolution 98% DCI-P3 screen panel has 4 times as many pixels as Full HD, 26% more color space than sRGB, so you can enjoy a cinematic clarity and depth of color in any lighting.

Streamline your set-up with an ergonomic, VESA-compatible stand and versatile connectivity options for a comfortable and productive workspace.

S80PB Key Specs:

90W

Charging via USB-C

UHD

Resolution: 3840 x 2160

Matte Display

The world's first UL certified, glare-free monitor



Experience

- Flat Display (27", 32" IPS)
- Connectivity (1x LAN, 1x DisplayPort, 1x HDMI, 3x USB, 1x USB-C)
- 1.07 Billion Colors
- Wide Color Gamut (98% DCI-P3)
- Multitasking Tools (PiP, PbP)
- UL Certified (anti-glare)



Well-being

- Adaptive Picture (Auto adjust brightness & color)
- Eye Saver Mode (Minimize blue light emission)
- Flicker Free
- Ergonomic Stand (HAS, Tilt, Swivel & Pivot)
- Wall Mount (VESA)



Eco-steps

- Save energy¹ (use up to 10% less energy)
- TCO Certified² (9.0)
- EPEAT Bronze³
- Zero Chemical Coatings⁴
- Staple Free Packaging⁴



27" Models

32" Models

¹Based on internal testing data of S80PB, S80TB and T45F monitors only. Testing compared energy usage of these models with Eco Saving Plus mode switched on high setting and switched off. Actual energy savings may vary based on usage conditions, brightness levels, and model selected. Eco Saving Plus is not available in Dynamic Contrast Mode, Game Mode, Eye Saver Mode, or when PiP/PbP Mode is on. ²See www.tco certified.com for more information. ³See www.epeat.net for more information. ⁴All models are staple free. All recycled plastics used in our monitors are chemical spray-free.

The ViewFinity S9 (S95UC)

[View full info](#)



Experience a bigger picture with the Samsung S95UC ViewFinity curved business monitor.

Immerse yourself in a panoramic 49" curved display designed for seamless single-screen multitasking.

Enjoy ultra-smooth visuals for enhanced viewing comfort. With the curved display closely matching your field of vision, the Dual QHD screen wraps around your line of sight, so you can work more comfortably and productively than ever before.

S95UC Key Specs:

49"

Screen Size (class)

Dual QHD

Resolution: 5120 x 1440

KVM Switch

Easy input switching and multitasking



Experience

- Curved Display (49" VA, 1000R)
- Connectivity (1x LAN, 1x DisplayPort, 2x HDMI, 3x USB, 1x USB-C)
- 1.07 Billion Colors
- Wide Color Gamut (115% sRGB)
- Multitasking Tools (PiP, PbP)
- KVM Switch
- Speakers (2x 5W)



Well-being

- Adaptive Picture (Auto adjust brightness & color)
- Eye Saver Mode (Minimize blue light emission)
- Flicker Free
- Ergonomic Stand (HAS, Tilt & Swivel)
- Easy Setup Stand (No tools required)
- Wall Mount (VESA)



Eco-steps

- Our Packaging¹ (reduced plastics & oil-based ink)
- Life Cycle Emission² (584,8 kg CO₂e/f.u.)
- Zero Chemical Coatings³
- Staple Free Packaging³



¹We have replaced plastic and shrink wrap in the distribution stage and the boxes are designed with minimal text and graphic imagery to reduce oil-based ink use. ²584,8 kg CO₂e/f.u. = 62.6% Production, 0.7% Distribution 36% Use, 0.6% Disposal. The Product Carbon Footprint assessment has been completed in accordance with ISO 14067 - Greenhouse gases - Carbon footprint of products - Requirements and guidelines for quantification, Usage Scenario: 40% on mode, 5% sleep mode, 55% off mode, 4 years. Electricity Carbon Emission Factor: European Union (IEA2022). CO₂ Emission results may vary from region and time of evaluation. Competitor product specification taken from respective websites and correct at time of publication. ³All models are staple free. All recycled plastics used in our monitors are chemical spray-free.

The ViewFinity S9 (S90PC)

[View full info](#)



Experience deeper detail than ever with the Samsung S90PC ViewFinity monitor.

Take in picture-perfect detail with a 5K resolution display that boasts over 7x the pixels of Full HD.

Take care of your eyes while you take care of work on the matte display and bring every hue to life with Pantone Validated™ true-to-life accuracy. Use with Smart Calibration and a smartphone for even more unique experiences.

S90PC Key Specs:

27"

Screen Size (class)

5K

Resolution: 5120 x 2880

IPS

Panel Type

90W

Charging via Thunderbolt™ 4



Performance

- 5K resolution (5120 x 2880)
- 99% DCI-P3
- Matte Display¹
- TÜV Intelligent Eye Care²
- Smart Calibration³
- Factory-calibrated color accuracy ($\Delta E < 2$)⁴



Convenience

- Connectivity (1x Thunderbolt™ 4, 1x Mini DisplayPort, 3x USB), WiFi 5 and BT4.2
- 4K SlimFit camera
- AirPlay / Mobile mirroring⁵
- Metal slim / Ergonomic Design
- Workspace Tools (MS Office 365)
- SmartThings / Voice Assistant



Entertainment

- Smart TV Apps⁶
- Gaming Hub⁷



¹Glare Free: Reflection Glare UGR <10 Discomfort Glare UGR <22 Disability Glare UGR <34 by UL Solutions. For more information, visit: <https://verify.ul.com/verifications/732>. ²Intelligent Eye Care is certified by TÜV Rheinland. For more details, visit: www.tuv.com. ³Smart Calibration is available on Galaxy S10 or later, Galaxy Note10 or later, Galaxy Fold devices, Galaxy Flip devices, iPhone 11 or later, and the second generation iPhone SE 2 or later. Requires the latest version of the SmartThings app. On-screen content simulated for demonstration purpose. Color accuracy figures may vary based on the measuring device and the measuring point. Screen features may vary depending on system environment, such as computer components, duration of use, or other factors. ⁴Color accuracy figures may vary based on the measuring device and the measuring point. Screen features may vary depending on system environment, such as computer components, duration of use, or other factors. Factory calibration is completed and measured in sRGB before shipment. ⁵AirPlay or mobile mirroring requires iOS 12.3 or later, or macOS 10.14.5 or later, or Android OS 8.0 or later. This function may not be supported depending on the model or geographical area. Apple and AirPlay are trademarks of Apple Inc., registered in the U.S. and other countries and regions. App availability may vary by country and separate subscriptions may be required. Samsung TV Plus and Universal Guide availability and remote control specifications may vary by country. Requires internet connection and TV tuner is not included. You will need a Samsung Account to access the full range of smart features available through your device, including network-based smart services, applications such as games and streaming services, smart home functionality, and many more. If you choose not to log-in to your device with your Samsung Account, you will only be able to connect to terrestrial TV (applicable to devices with tuners only) and external devices, e.g. via HDMI. If you do not already have a Samsung Account, you can easily create one here: account.samsung.com - It's free to sign up! Terms and Conditions apply. UI is subject to change without prior notice. ⁶App availability may vary by country. Accessing Gaming Hub is free of charge. Subscription may be required to access content offered by game-stream providers on the Gaming Hub platform. A separate controller may be required depending on the specific game you are playing on the Gaming Hub. Requires internet connection.

SAMSUNG

Our essential monitor line up

For life. For work.

Essential monitor line up



T37F



T45F



S43GC






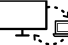


T45F Wide



Perfect color down to the last detail. A range of monitors with IPS panels to preserve vividness and clarity across every inch of the screen. Work comfortably on the productivity-boosting displays.

Minimal bezels bring maximum concentration. The virtually borderless screen shows you the full picture and looks almost gapless when used in a dual-monitor setup. See more at once, with fewer distractions in your way, and get through larger sections of your to-do.

-  **22" – 27"**
-  **FHD up to 1920x1200**
-  **Height Adjustable Stand***
-  **Ergonomic & Eye-saving**
-  **Flat IPS Panel**
-  **Versatile Connectivity**

*Height adjustable stand doesn't apply to T37F

The T37F monitor

[View full info](#)



Experience vivid color and clarity with the Samsung T37F business monitor.

Work more efficiently and comfortably with a virtually borderless screen, multiple connectivity options, and advanced eye comfort technology.

The rapid 75 Hz screen refresh rate minimizes image lag and motion blur for a smoother display.

T37F Key Specs:

24"
Screen Size (class)

FHD
Resolution: 1920 x 1080

IPS
Panel Type

250
Brightness (cd/m2)



Experience

- Flat Display (24" IPS)
- Connectivity (1x DisplayPort, 1x HDMI)
- 16.7 Million Colors
- Wide Color Gamut (72% NTSC)



Well-being

- Eye Saver Mode (Minimize blue light emission)
- Flicker Free
- Ergonomic Stand (Tilt)
- Wall Mount (VESA)



Eco-steps

- Eco Saving Plus¹ (use up to 10% less energy)
- TCO Certified² (9.0)
- EPEAT Bronze/Silver (depending on model)³
- Zero Chemical Coatings⁴



LF24T370FWRXEN

LF24T372FWRXEN

LF24T374FWRXEN

¹Based on internal testing data of S80PB, S80TB and T45F monitors only. Testing compared energy usage of these models with Eco Saving Plus mode switched on high setting and switched off. Actual energy savings may vary based on usage conditions, brightness levels, and model selected. Eco Saving Plus is not available in Dynamic Contrast Mode, Game Mode, Eye Saver Mode, or when PIP/PBP Mode is on. ²See www.tco-certified.com for more information. ³See www.epeat.net for more information. ⁴All models are staple free. All recycled plastics used in our monitors are chemical spray-free.

The T45F monitor

[View full info](#)



Experience clarity and efficiency with the Samsung T45F business monitor.

Take your work to the next level with the Samsung T45F series. Collaboration is made easy with IPS panel and 178° viewing angles. Enjoy minimalist design for maximum efficiency. Streamline your set up with an ergonomic stand and 3-sided borderless design. Plug accessories directly into your monitor and work more efficiently than ever before on a high-quality monitor for the budget-conscious.

T45F Key Specs:

22,24,27" FHD

Screen Size (class)

Resolution: 1920 x 1080

IPS

Panel Type

250

Brightness (cd/m2)



Experience

- Flat Display (22", 24" & 27" IPS)
- Connectivity (1x DisplayPort, 2x HDMI, 3x USB)
- 16.7 Million Colors
- Wide Color Gamut (72% NTSC)
- Speakers* (2x 1W)



Well-being

- Eye Saver Mode (Minimize blue light emission)
- Flicker Free
- Ergonomic Stand (HAS, Tilt, Swivel & Pivot)
- Wall Mount (VESA)



Eco-steps

- Eco Saving Plus¹ (use up to 10% less energy)
- TCO Certified² (9.0)
- EPEAT Silver³
- Zero Chemical Coatings⁴



22" & 27" Models

24" Models

¹Based on internal testing data of S80PB, S80TB and T45F monitors only. Testing compared energy usage of these models with Eco Saving Plus mode switched on high setting and switched off. Actual energy savings may vary based on usage conditions, brightness levels, and model selected. Eco Saving Plus is not available in Dynamic Contrast Mode, Game Mode, Eye Saver Mode, or when PIP/PBP Mode is on. ²See www.tco-certified.com for more information. ³See www.epeat.net for more information. ⁴Speakers only available for 24" and 27" models. ⁵All models are staple free. All recycled plastics used in our monitors are chemical spray-free.

The S43GC monitor

[View full info](#)



Experience clarity and efficiency with the Samsung S43GC Essential monitor.

Streamline your setup with an ergonomic stand and virtually borderless design. Built for your convenience, with versatile connectivity options. tilt, swivel or mount until your view's just right and plug accessories directly into your monitor and work more efficiently than ever.

S43GC Key Specs:

24, 27"

Screen Size (class)

FHD

Resolution: 1920 x 1080

IPS

Panel Type

250

Brightness (cd/m2)



Experience

- Flat Display (24" & 27" IPS)
- Connectivity (1x DisplayPort, 1x HDMI, 4x USB, 1x D-Sub)
- 16.7 Million Colors
- Wide Color Gamut (95% sRGB)



Well-being

- Eye Saver Mode (Minimize blue light emission)
- Flicker Free
- Ergonomic Stand (HAS, Tilt, Swivel & Pivot)
- Wall Mount (VESA)
- ISO 9241-307: 2008 certified¹



Eco-steps

- Eco Saving Plus² (use up to 10% less energy)
- TCO Certified³ (9.0)
- EPEAT Silver⁴
- 84% Recycled plastics⁵
- Zero Chemical Coatings⁶



¹ISO 9241-307:2008 establishes test methods for the analysis of a variety of visual display technologies, tasks and environments. It uses the measurement procedures of ISO 9241-305 and the generic requirements of ISO 9241-303 to define compliance routes suitable for the different technologies and intended contexts. More information at: <https://www.iso.org/standards.html>. ²Based on internal testing data of S80PB, S80TB and T45F monitors only. Testing compared energy usage of these models with Eco Saving Plus mode switched on high setting and switched off. Actual energy savings may vary based on usage conditions, brightness levels, and model selected. Eco Saving Plus is not available in Dynamic Contrast Mode, Game Mode, Eye Saver Mode, or when PIP/PBP Mode is on. ³See www.tco-certified.com for more information. ⁴See www.epeat.net for more information. ⁵84% of the plastic used in the product is recycled. ⁶All models are staple free. All recycled plastics used in our monitors are chemical spray-free.

The T45F wide monitor

[View full info](#)



Experience clarity and efficiency with the Samsung T45F wide business monitor.

Work more productively on a wide, clear display. Enjoy clean, ergonomic design. Customise your screen set-up with an adjustable, borderless monitor display. Unclutter your desk with a built in speaker for your convenience. Work in comfort with eye-comfort technology, and tilt, swivel and pivot your screen into the perfect position.

T45F Wide Key Specs:

24"
Screen Size (class)

WUXGA
Resolution: 1920 x 1200

IPS
Panel Type

250
Brightness (cd/m2)



Experience

- **Flat Display** (24" wide IPS)
- **Connectivity** (DVI, 1x DisplayPort, 1x HDMI, 5x USB)
- **16.7 Million Colors**
- **Wide Color Gamut** (72% NTSC)
- **Speakers** (2x 1W)



Well-being

- **Eye Saver Mode** (Minimize blue light emission)
- **Flicker Free**
- **Ergonomic Stand** (HAS, Tilt, Swivel & Pivot)
- **Wall Mount** (VESA)



Eco-steps

- **Eco Saving Plus¹** (use up to 10% less energy)
- **TCO Certified²** (9.0)
- **EPEAT Silver³**
- **Zero Chemical Coatings⁴**



¹Based on internal testing data of S80PB, S80TB and T45F monitors only. Testing compared energy usage of these models with Eco Saving Plus mode switched on high setting and switched off. Actual energy savings may vary based on usage conditions, brightness levels, and model selected. Eco Saving Plus is not available in Dynamic Contrast Mode, Game Mode, Eye Saver Mode, or when PIP/PBP Mode is on. ²See www.tco-certified.com for more information. ³See www.epeat.net for more information. ⁴All models are staple free. All recycled plastics used in our monitors are chemical spray-free.

Case studies

Success cases – European Region

Companies in the European region decide Samsung monitors as their standard for their offices

Deal	Country	Logo	Vertical sector
UNICREDIT	Italy		Banking
TIM	Italy		Telecom
AON	Italy		Consultancy
ALLIANZ	Italy		Assurance
BCG	Italy		Consultancy
KMD	Poland		IT programists

Global reference cases

Customer needs

Natixis's IT manager want to improve the old 24" monitor's pain points:

- Lots of power supply/ power consumption
- Different COLOR GAMUT per each monitor
- Lack of flexibility to arrange S/W applications on screens



Value proposition

France team already had very strong and long term relationship with NATIXIS and BCPE Group

France team invites customer to showroom regularly and push the inputs of using 49" monitor's advantage



Sales and aftercare

Extended warranty & service options – Europe



Extended service options (D+3~5*)

	GBR	GER	FRA	ESP	POR	ITA	NED	BEL	LUX	SWE	FIN	DEN	NOR	AUT	SUI	POL	CZE	SVK	HUN	GRE	CYP	ROM	BUL	LTU	EST	LAT
Carry In Book a slot to drop off your product in store with a Samsung Expert.		X		X	X	X	X	X	X							X	X	X	X	X	X			X	X	X
Pick Up Our Courier Partner will collect your device and return it back to you once our Authorised Service Partner has completed your repair.	X	X	X	X	X	X	X	X	X			X	X	X	X	X	X	X	X	X	X	X	X	X	X	X
On site A Samsung Authorised Expert will come to your home to inspect and repair your product.			X	X	X	X				X	X	X	X	X	X	X	X	X	X			X	X	X	X	X
Swap If we cannot diagnose or repair the problem, we will swap your product for a new one.			X	X						X	X		X			X										

* D+3-5 = Days after the service request was received by Samsung, a) the customer receives a response or b) a ASC arrives on Site (in case of on site repair or pick up) c) Days that it takes to repair a product after the customer carried the product into a repair center.

SAMSUNG

Thank you