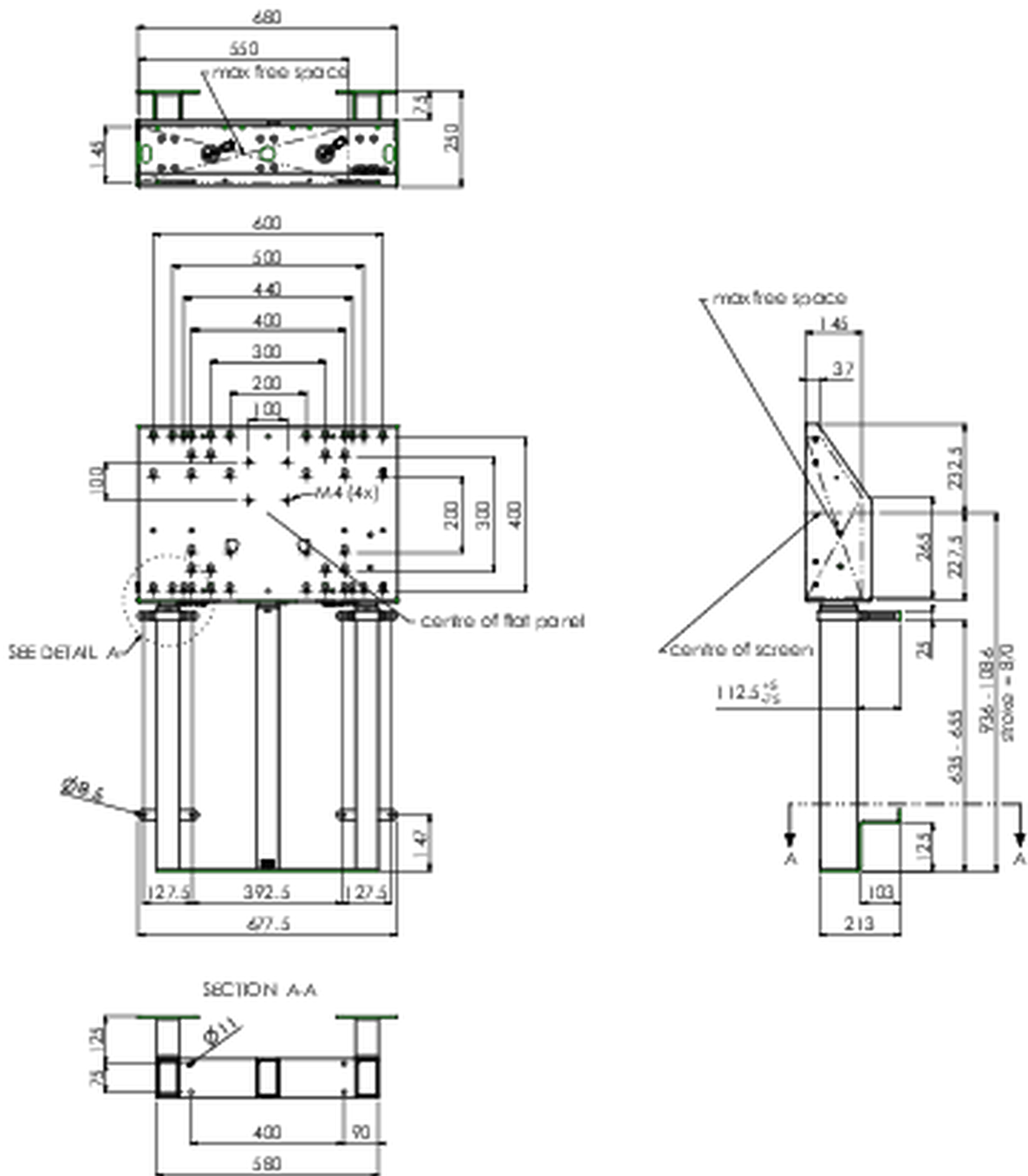


Wall lift for XXL format (touch) displays up to 180kg

This floor lift offers thanks to its three columns extra stability and robustness for working with a touch display. The display can easily be adjusted in height with the remote control, it adjusts it silently & electrically in height. At the back side of the mounting utility, space is reserved for placing a mini PC or thin client. This kit includes the adapter set [MD 052B7288](#).

01 TECHNICAL SPECIFICATION

Type	Wall lift
Height adjustment	870mm, 936 - 1806mm
Max weight capacity	180kg / monitor
VESA maximum	800 x 600mm
Extra	electrical speed up to 38mm/s



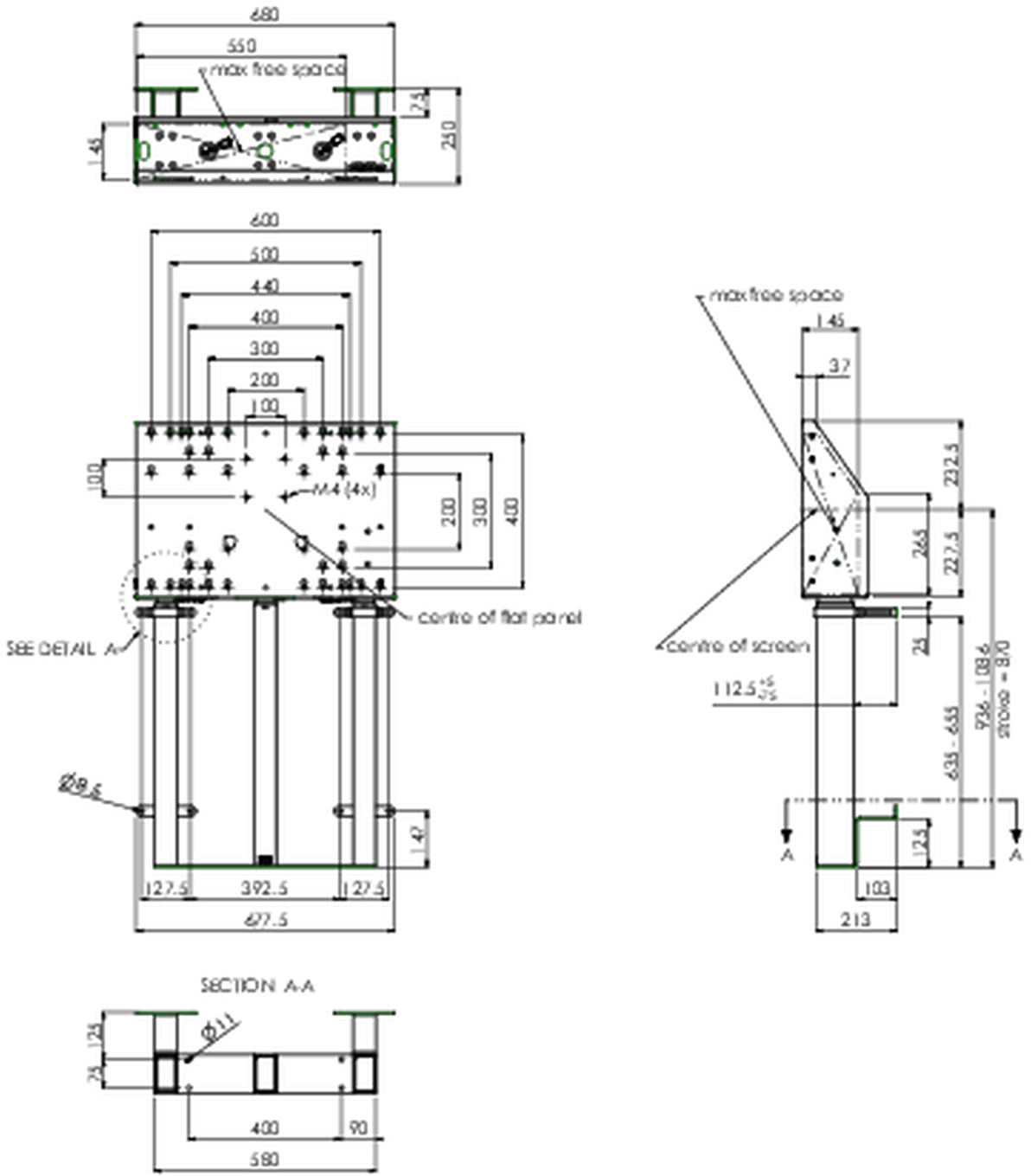
02 DIMENSIONS / WEIGHT

Weight (without box)

45kg

EAN code

4948570032594



All trademarks and registered trademarks acknowledged. E & O E. Specification subject to change without notice. All LCD's comply with ISO-9241-307:2008 in connection with pixel defects.

© IYAMA CORPORATION. ALL RIGHTS RESERVED