

Lenses for NEC PX803UL and PX1004UL Projectors

NP39ML NP16FL NP31ZL NP17ZL NP18ZL NP19ZL NP20ZL NP21ZL

Technical Specifications



Model	NP39ML	NP16FL	NP31ZL	NP17ZL	NP18ZL	NP19ZL	NP20ZL	NP21ZL
Order Code	100014132	60003216	100013387	60003225	60003226	60003227	60003228	60003229
Projection ratio [WUXGA]	0.38:1	0.76 : 1	0.75 - 0.93	1.25 – 1.79 : 1	1.73 – 2.27:1	2.22 – 3.67 : 1	3.58 – 5.38 : 1	5.31 – 8.26 : 1
Aperture	2	1.85	1.96 - 2.3	1.85 – 2.50	1.64 – 1.86	1.86 – 2.48	1.85-2.40	1.85-2.48
Focal Range [mm]	11.4	11.6	11.3 - 14.1	18.7 – 26.5	25.7 – 33.7	32.9 – 54.2	52.8 – 79.1	78.5-121.9
Zoom Ratio	—	—	1.25	1.41	1.31	1.65	1.50	1.55
Screen size [inches]	85 - 297	50 - 300	50 - 300	50 - 300	50 - 300	50 - 300	50 - 300	50 - 300
Projection distance [m]	-0.1 - 1.5	0.8 – 5.1	0.8 - 6	1.3 – 11.7	1.8 – 14.9	2.4 – 24.1	3.8 – 35.4	2.9 – 20.1
Shift Area	0	0	+0.5V (XGA:0.45V) / +/- 0.1H	-0.5V / +/- 0.1H	-0.5V / +/- 0.1H	-0.5V / +/- 0.1H	-0.5V / +/- 0.1H	-0.5V / +/- 0.1H
Weight [kg]	2.70	0.91	1.28	1.09	0.82	0.95	1.02	1.35

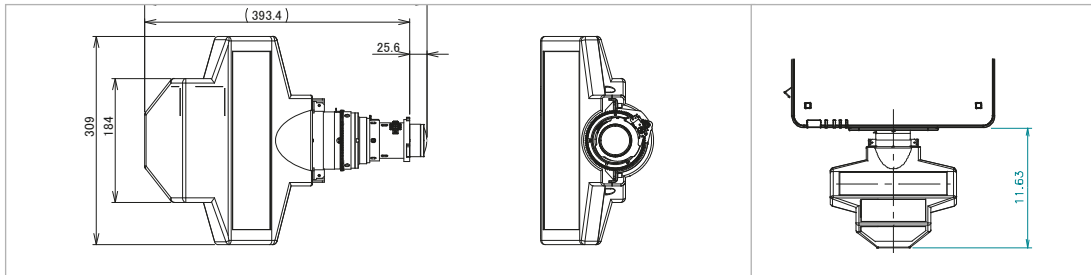
Screen Size and Distance

Screen Size (inches)	NP39ML	NP16FL	NP31ZL	NP17ZL	NP18ZL	NP19ZL	NP20ZL	NP21ZL
50"	-0.4	0.8	0.8 - 1.0	1.3 ~ 1.9	1.8 ~ 2.4	2.4 ~ 4.0	3.8 ~ 5.8	5.6 ~ 8.9
60"	-0.3	1.0	0.9 - 1.2	1.6 ~ 2.3	2.2 ~ 2.9	2.8 ~ 4.8	4.6 ~ 7.0	6.8 ~ 10.7
80"	-0.2	1.3	1.3 - 1.6m	2.2 ~ 3.1	3.0 ~ 3.9	3.8 ~ 6.4	6.2 ~ 9.3	9.1 ~ 14.4
100"	0	1.7	1.6 - 2.0	2.7 ~ 3.9	3.7 ~ 4.9	4.8 ~ 8.0	7.7 ~ 11.7	11.5 ~ 18.1
120"	0.1	2.0	1.9 - 2.4	3.3 ~ 4.7	4.5 ~ 5.9	5.8 ~ 9.6	9.3 ~ 14.1	13.8 ~ 21.7
150"	0.4	2.5	2.4 - 3.0m	4.1 ~ 5.8	5.6 ~ 7.4	7.2 ~ 12.0	11.7 ~ 17.6	17.4 ~ 36.4
200"	0.7	3.4	3.2 - 3.9	5.5 ~ 7.8	7.5 ~ 7.4	9.7 ~ 16.1	15.6 ~ 23.5	23.3 ~ 36.4
240"	1.0	4.1	3.8 - 4.8	6.6 ~ 9.4	9.1 ~ 11.9	11.6 ~ 19.3	18.8 ~ 28.3	28.0 ~ 43.8
300"	1.5	5.1	4.8 - 6.0	8.2 ~ 11.7	11.3 ~ 14.9	14.5 ~ 24.1	23.5 ~ 35.4	35.0 ~ 54.8

Technical Drawings

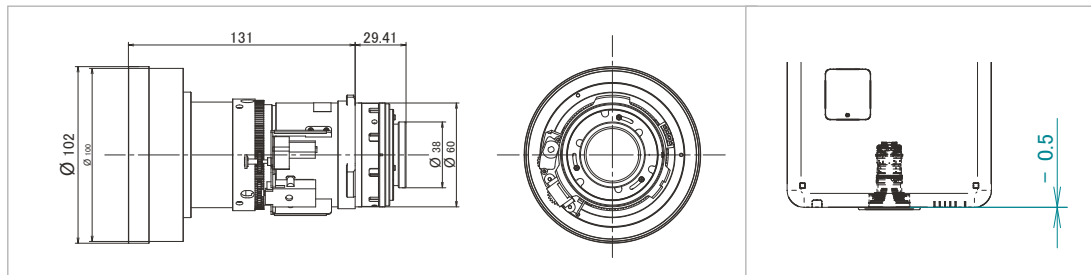
NP39ML

Order Code: 100014132



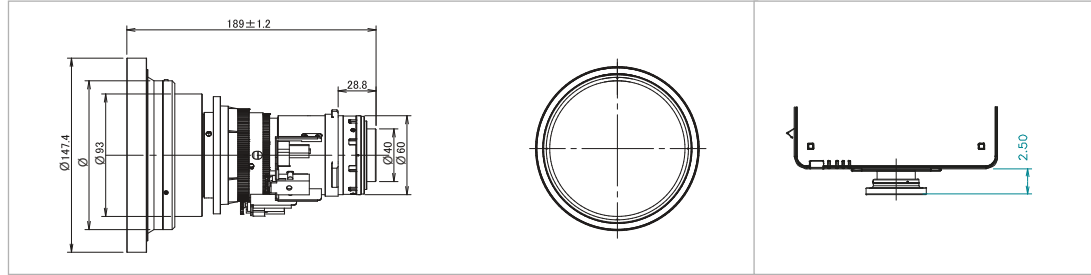
NP16FL

Order Code: 60003216



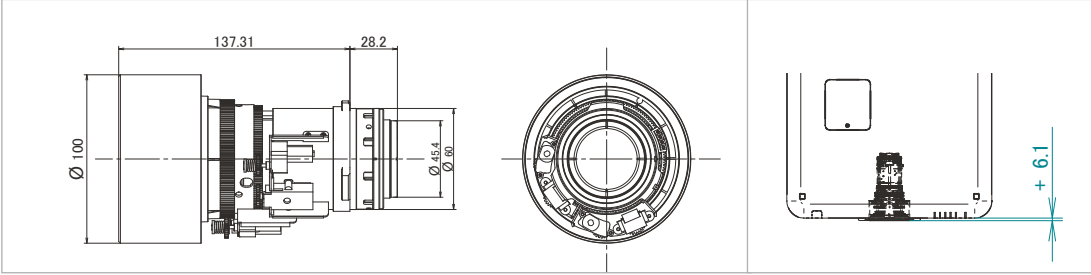
NP31ZL

Order Code: 100013387



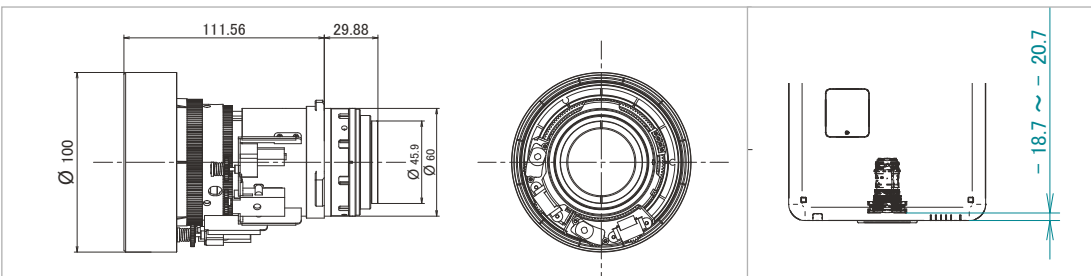
NP17ZL

Order Code: 60003225


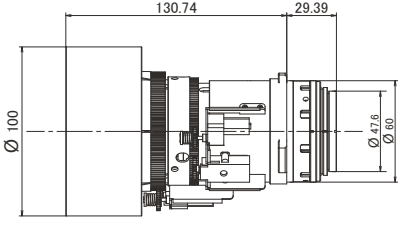
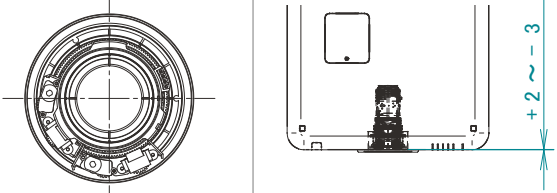

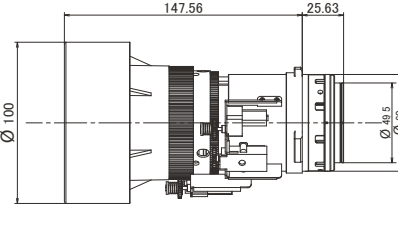
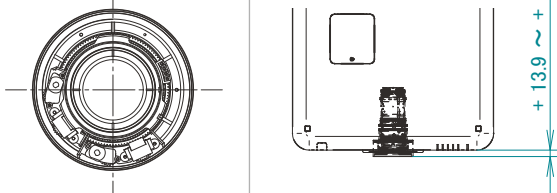

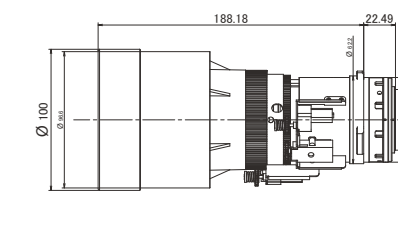
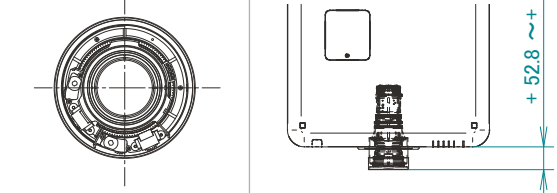


NP18ZL

Order Code: 60003226



Technical Drawings

<p>NP19ZL</p> 	<p>Order Code: 60003227</p>		
<p>NP20ZL</p> 	<p>Order Code: 60003228</p>		
<p>NP21ZL</p> 	<p>Order Code: 60003229</p>		

NEC Display Solutions Europe GmbH
 Landshuter Allee 12-14, D-80637 München
 infomail@nec-displays.com
 Phone: +49 (0) 89 99 699-0
 Fax: +49 (0) 89 99 699-500
 www.nec-display-solutions.com