

NEC Display Solutions **Projectors**

PA PROJECTOR LENSES

NP11FL NP12ZL NP13ZL NP14ZL NP15ZL NP30ZL



Specifications

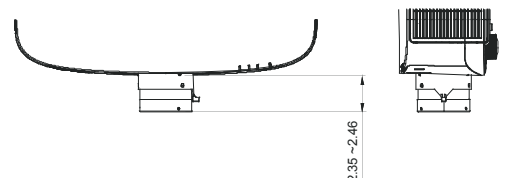
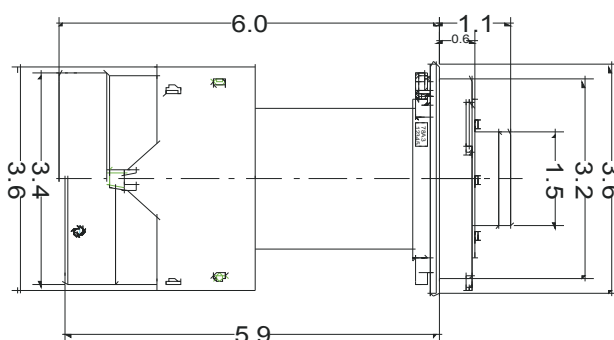
| Model | NP11FL | NP12ZL | NP13ZL | NP14ZL | NP15ZL | NP30ZL |
|----------------------------|------------|---|---|---|---|---|
| Order Code | 60003222 | 60003220 | 60003217 | 60003221 | 60003219 | 100013349 |
| Aperture | 2.3 | 2.2 - 2.69 | 1.7 - 2.37 | 2.2 - 2.64 | 2.2 - 2.7 | 1.9-2,1 |
| Focal Range (mm) | 13.2 | 19.4 - 25.3 | 24.4 - 48.6 | 48.5 - 77.6 | 76.6 - 116.5 | 13.2 - 17.2 |
| Projection ratio (WUXGA) | 0.80 | 1.19 - 1.56 | 1.50 - 3.02 | 2.97 - 4.79 | 4.70 - 7.20 | 0.79 - 1.04 |
| Zoom Ratio | — | 1.3 | 2.0 | 1.6 | 1.52 | 1.3 |
| Screen size (inches) | 40 - 150 | 30 - 500 | 40 - 500 | 60 - 500 | 60 - 500 | X 52" - 500" W/U 50" - 500" |
| Projection distance (m) | 0.7 - 2.6 | 0.7 - 16.5 | 1.2 - 31.9 | 3.7 - 50.9 | 5.9 - 76.4 | 0.8 - 11.1 |
| Shift Area | 0V/0H | X/U: +0.5V -0.1V / +/- 0.3H W: +0.6V -0.1V / +/-0.3H | X/U: +0.5V -0.1V / +/- 0.3H W: +0.6V -0.1V / +/-0.3H | X/U: +0.5V -0.1V / +/- 0.3H W: +0.6V -0.1V / +/-0.3H | X/U: +0.5V -0.1V / +/- 0.3H W: +0.6V -0.1V / +/-0.3H | W/U: +0.5V -0.1V / +/- 0.2H X: +0.35 -0.1V / +/-0.2H |
| Weight (kg) | approx 1.2 | approx 1.2 | 0.84 | approx 1.0 | approx 1.0 | 1.14 |

Screen Size and Distance

| Screen Size (inches) | NP11FL | NP12ZL | NP13ZL | NP14ZL | NP15ZL | NP30ZL |
|------------------------|--------|-------------|-------------|-------------|-------------|------------|
| 80" | 1.4 | 2.0 - 2.6 | 2.5 - 5.1 | 5.0 - 8.0 | 7.9 - 12.1 | 1.4 - 1.7 |
| 100" | 1.7 | 2.5 - 3.3 | 3.2 - 6.3 | 6.3 - 10.1 | 9.9 - 15.1 | — |
| 120" | 2.1 | 3.0 - 3.9 | 3.8 - 7.6 | 7.5 - 12.1 | 11.9 - 18.2 | 2.1 - 2.6 |
| 150" | 2.6 | 3.8 - 4.9 | 4.8 - 9.5 | 9.4 - 15.2 | 14.9 - 22.8 | 2.5 - 3.3 |
| 200" | — | 5.1 - 6.6 | 6.4 - 12.7 | 12.6 - 20.3 | 20.0 - 30.5 | 3.4 - 4.4 |
| 240" | — | 6.1 - 7.9 | 7.6 - 15.3 | 15.2 - 24.4 | 24.0 - 36.6 | 4.1 - 5.3 |
| 300" | — | 7.6 - 9.9 | 9.6 - 19.1 | 19.0 - 30.5 | 30.1 - 45.8 | 5.1 - 6.6 |
| 400" | — | 10.2 - 13.2 | 12.8 - 25.5 | 25.4 - 40.7 | 40.1 - 61.1 | 6.8 - 8.8 |
| 500" | — | 12.7 - 16.5 | 16.0 - 31.9 | 31.8 - 50.9 | 50.2 - 76.4 | 8.5 - 11.1 |

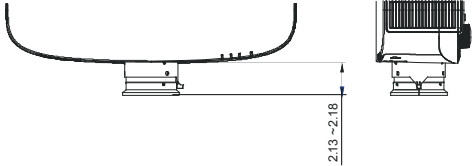
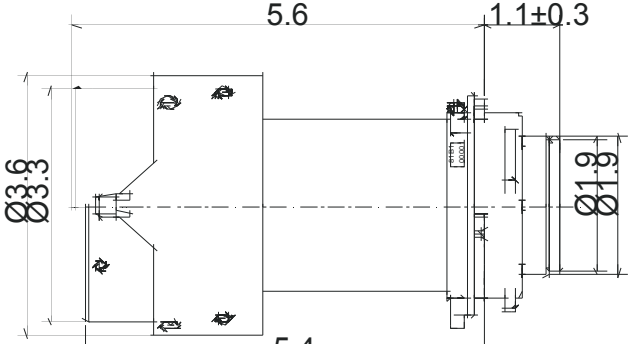
NP11FL

Order Code **60003222**



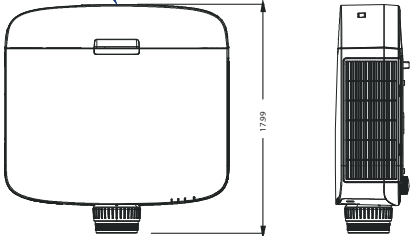
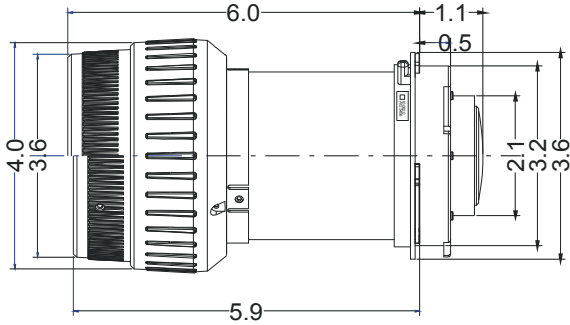
NP12ZL

Order Code 60003220



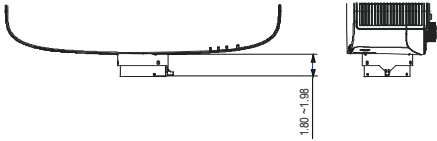
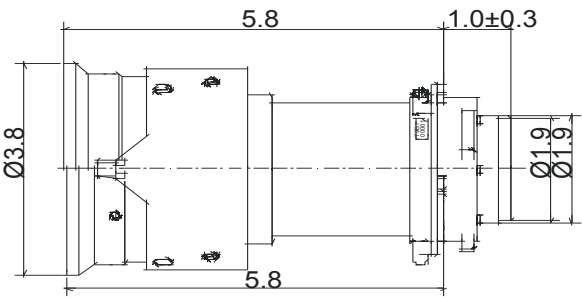
NP13ZL

Order Code 60003217



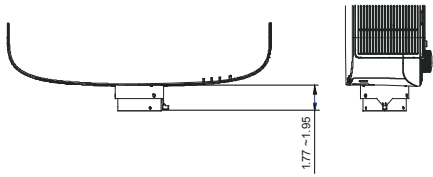
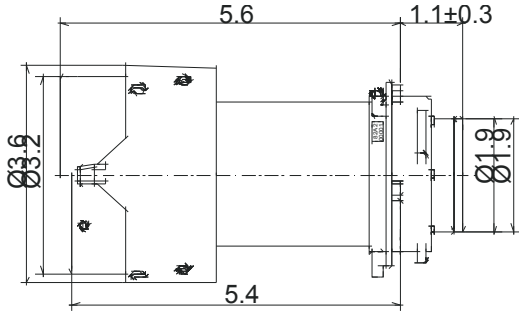
NP14ZL

Order Code 60003221



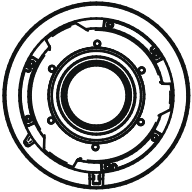
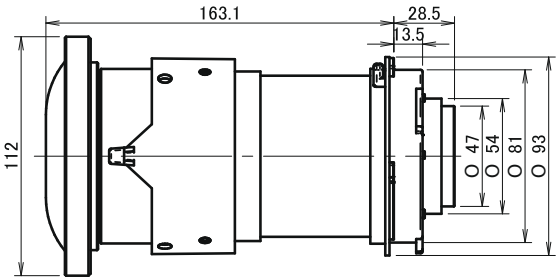
NP15ZL

Order Code 60003219



NP30ZL

Order Code 100013349



NEC Display Solutions Europe GmbH
Landshuter Allee 12-14, D-80637 München
infomail@nec-displays.com
Phone: +49 (0) 89 99 699-0
Fax: +49 (0) 89 99 699-500
www.nec-display-solutions.com