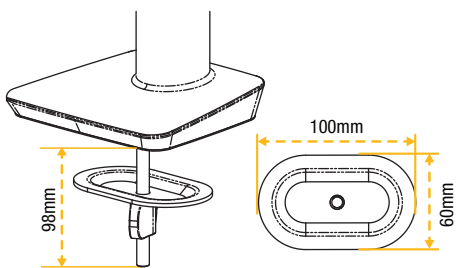
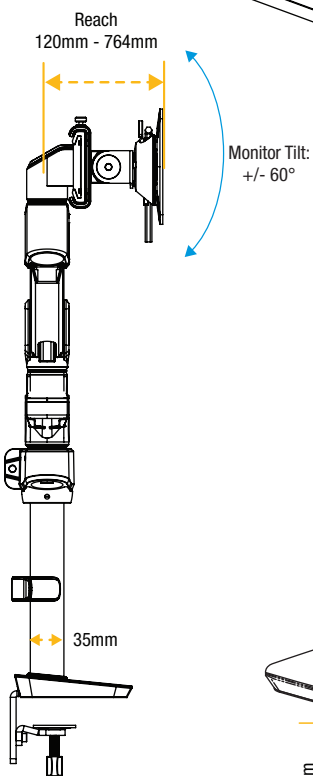
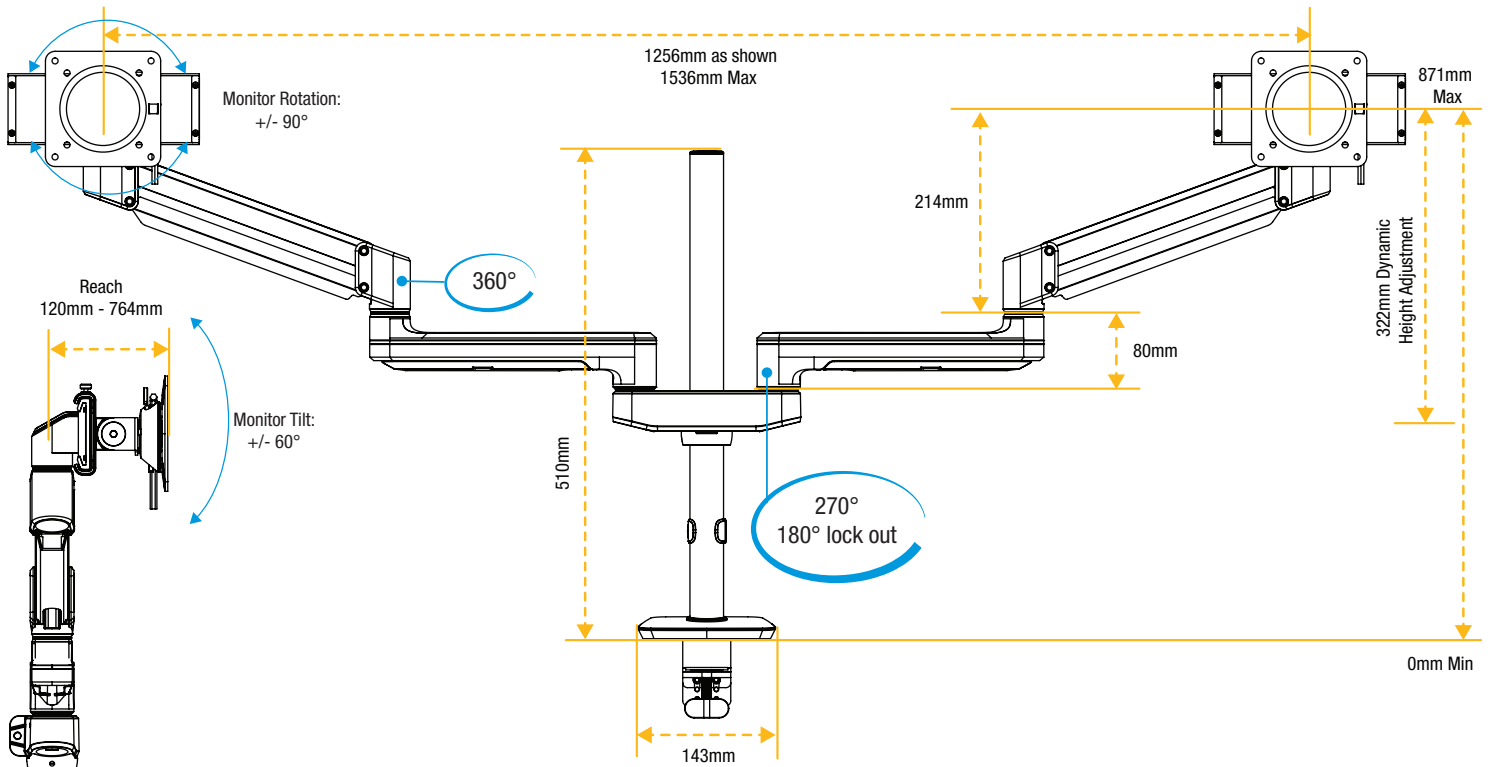
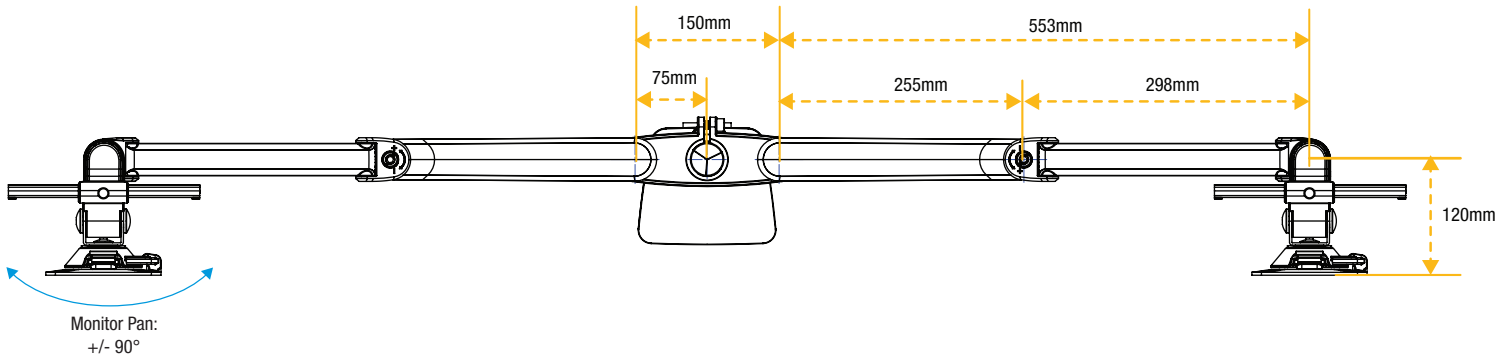


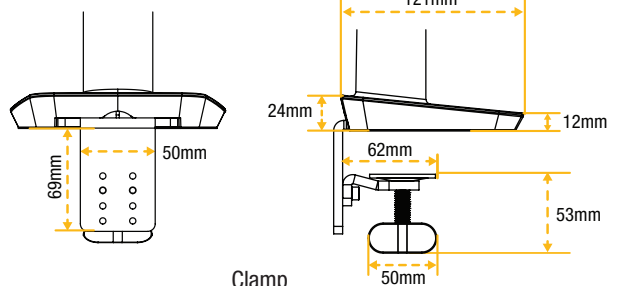


Tallo Modular™ 2FMS (8613901 / 8615501 / 8616501)

<p>1536mm 1742mm 40" (101.6cm)</p>	<p>1-9kg / 2.2-19.8lbs</p>	<p>VESA: 75 x 75 / 100 x 100</p>	<p>15 15 Years Limited Warranty</p>
--	----------------------------	--------------------------------------	---



Grommet



Clamp