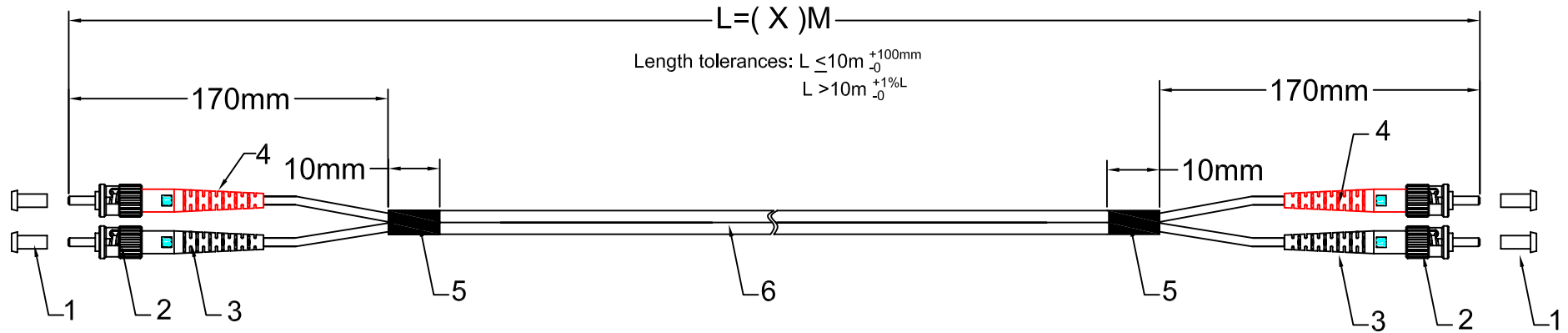


**ST - ST Duplex Jumper, I-V(ZN)H 02G 50/125μ
OM3, LSZH Aqua Jacket, x meter**



Specifications:

1. Insertion Loss: < 0.3dB @850nm
2. End surface test is according to OP-03-05001
3. Test standard: GR-326-CORE
4. Test report has to match the serial No.
5. RoHS compliant
6. Fiber cable according to IEC 60793-2
7. ST connector according to IEC 60874-10

**RoHS
compliant**

6	Ø3.0mm MM duplex OM3 50/125μ LSZH Aqua cable	
5	Heat shrink tube, black	2
4	ST 3.0 boot,red	2
3	ST 3.0 boot, black	2
2	ST MM 3.0 connector	4
1	Dust cover	4
Item	Description	Qty



EFB

ST - ST Duplex Jumper, I-V(ZN)H 02G 50/125 OM3, LSZH Aqua Jacket,
x meter

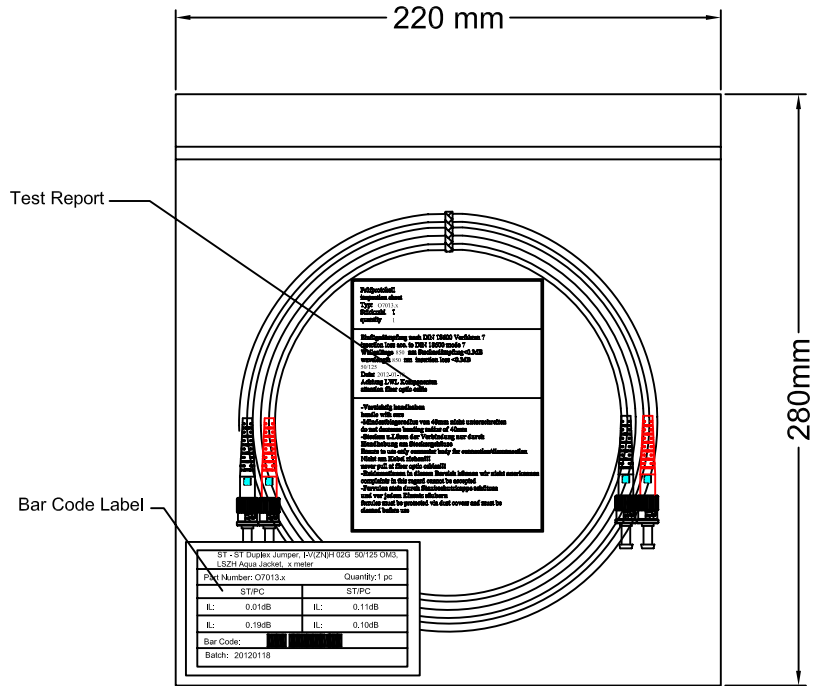
Part No: O7013.X

Drawing No:

Page :1 of 3

Packing:

The corresponding label data for each cable assembly shall be affixed to the package



9# PE Bag(220mm x 280mm)

Prüfprotokoll inspection sheet Typ: O7013.x Stückzahl 1 quantity 1
Einfügedämpfung nach DIN 18600 Verfahren 7 insertion loss acc. to DIN 18600 mode 7 Wellenlänge 850 nm Steckerdämpfung<0.3dB wavelength 850 nm insertion loss <0.3dB 50/125 Date: 2012-01-18 Achtung LWL Komponenten attention fiber optic cable
-Vorsichtig handhaben handle with care -Mindestbiegeradius von 40mm nicht unterschreiten do not decrease bending radius of 40mm -Stecken u.Lösen der Verbindung nur durch Handhabung am Steckergehäuse Ensure to use only connector body for connection/disconnection Nicht am Kabel ziehen!!! never pull at fiber optic cables!!! -Reklamationen in diesem Bereich können wir nicht anerkennen complaints in this regard cannot be accepted -Ferrulen stets durch Staubschutzkappe schützen and vor jedem Einsatz säubern ferules must be protected via dust covers and must be cleaned before use

Test Report

ST - ST Duplex Jumper, I-V(ZN)H 02G 50/125 OM3, LSZH Aqua Jacket, x meter	
Part Number: O7013.x	Quantity:1 pc
ST/PC	ST/PC
IL: 0,01dB	IL: 0,11dB
IL: 0,19dB	IL: 0,10dB
Bar Code:	
Batch: 20120118	

Bar Code Label(100mmx60mm)

RoHS compliant

		<h1>EFB</h1>
ST - ST Duplex Jumper, I-V(ZN)H 02G 50/125 OM3, LSZH Aqua Jacket, x meter		
Part No: O7013.X		
Drawing No:	Page :2 of 3	

Indoor Cable Series (Duplex)

1. Characteristics

- . Aramid yarn strength member ensures tension resistance and long term stability in transmission
- . Figure 8 structure jacket facilitate embranchment
- . Small outer diameter, lightweight
- . Flame-retardant jacket, halogenfree
- . Low attenuation

2.Applications

- .Installation in conduits and shafts
- .Indoor distribution
- .Jumper and adapter cable
- .Connecting workstations inside buildings(FTTD)

3.Temperature Range

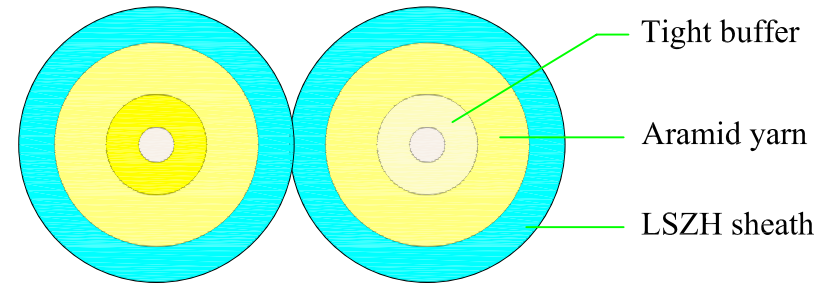
-20°C up to +70°C

4.Fiber Optic Cable Performance

- .Number of fibers: 2
- .Outer diameter: 2.8x5.7 mm
- .Nominal weight: 13.2 kg / km
- .Max. tension: 300 N (short - term)
160 N (long - term)
- .Min. Bending Radius: 20 H (Dynamic)
10 H (Static)
- .Max . Crush Resistance (N/100 mm²):1000
- .Complies with TIA/EIA-568 B.3 & Bellcore GR-409-CORE & OFNR-UL/CSA FT-4
- .Maximum Attenuation: ≤ 2.3dB @850nm
≤ 0.6dB @1300nm
- .OFL Bandwidth: ≥1500MHz-km@850nm
≥500MHz-km@1300nm
- .10 Gigabit Ethernet SX: 300m@850nm

5.Cable Specification

- .Fiber type: Multimode 50/125µ m OM3
- .Aqua jacket , LSZH



**RoHS
compliant**

E F B
ELEKTRONIK

E F B

ST - ST Duplex Jumper, I-V(ZN)H 02G 50/125 OM3, LSZH Aqua Jacket,
x meter

Part No: O7013.X

Drawing No:

Page :3 of 3