



**24” IPS technology panel with 100Hz refresh rate and 150mm height adjustable stand**

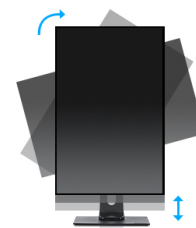
The stylish edge-to-edge design makes the ProLite XUB2491H perfect for multi-monitor setups. The IPS panel technology ensures accurate and consistent color reproduction with wide viewing angles, while the 100Hz refresh rate enhances image smoothness. High contrast and brightness levels make this monitor ideal for photographic and web design work. It is equipped with a headphone socket, HDMI and DisplayPort connections, and features a blue light reducer function to minimize eye fatigue. Additionally, the ergonomic 150mm height-adjustable stand offers optimal user comfort, making this 24” monitor an excellent choice for both multi-monitor configurations and office applications.

Available also with fixed stand : [ProLite XU2491H-B1](#)



**IPS Technology**

IPS displays are best known for wide viewing angles and natural, highly accurate colours. They are especially suited for colour-critical applications.



**HAS (150mm) + PIVOT**

With a height adjustable stand you will create an ergonomic work posture and position that meets all health and safety requirements. This will not only prevent any health issues but will also increase your productivity. The pivot function allows the screen to rotate from landscape to portrait orientation. This functionality can be useful if the application requires more height than width.

## 01 DISPLAY CHARACTERISTICS

<b>Design</b>	3-side borderless
<b>Diagonal</b>	23.8"
<b>Panel</b>	IPS panel technology LED, matte finish
<b>Native resolution</b>	1920 x 1080 @100Hz (2.1 megapixel Full HD)
<b>Aspect ratio</b>	16:9
<b>Panel brightness</b>	300 cd/m <sup>2</sup>
<b>Static contrast</b>	1300:1
<b>Advanced contrast</b>	80M:1
<b>Response time (MPRT)</b>	0.5ms
<b>Viewing zone</b>	horizontal/vertical: horizontal°/vertical 178°, right/left: 0°/0°, up/down: 0°/0°
<b>Colour support</b>	16.7mIn (sRGB: 96%; NTSC: 72%)
<b>Horizontal Sync</b>	30 - 150kHz
<b>Viewable area W x H</b>	527 x 296.5mm, 20.7 x 11.7"
<b>Pixel pitch</b>	0.275mm
<b>Colour</b>	matte, black (matte, black)

## 02 INTERFACES / CONNECTORS / CONTROLS

<b>Signal input</b>	HDMI x1 DisplayPort x1
<b>HDCP</b>	yes
<b>Headphone connector</b>	yes

## 03 FEATURES

<b>Blue light reducer</b>	yes
<b>Flicker free</b>	yes
<b>Adaptive Sync support</b>	yes
<b>Extra</b>	i-style Colour
<b>OSD languages</b>	EN, DE, FR, IT, RU, JP, CZ, NL, PL
<b>Control buttons</b>	Power, Menu, Up/Volume, Down/Eco, Input/Exit
<b>User controls</b>	picture adjust (brightness, contrast, i-Style colour, ACR, Eco, OD, X-Res Technology), colour settings (gamma, RGB range, colour temp), image settings (video mode adjust, blue light reducer, sharp and soft, MBR, Adaptive Sync), OSD (OSD H. position, OSD V. position, OSD Time, OSD background, OSD rotate, language, display information) extra (reset, DDC/CI, signal select, LED, opening logo)
<b>Convenience</b>	Kensington-lock™ prepared, DDC/CI, DDC2B, Mac OSX

## 04 MECHANICAL

<b>Display position adjustments</b>	height, swivel, tilt, pivot (rotation both sides)
<b>Height adjustment</b>	150mm
<b>Rotation (PIVOT function)</b>	90°
<b>Swivel stand</b>	120°; ° left; 60° right
<b>Tilt angle</b>	23° up; 5° down
<b>VESA mounting</b>	100 x 100mm
<b>Cable management system</b>	yes

## 05 ACCESSORIES INCLUDED

Cables	power, HDMI
Other	quick start guide, safety guide

## 06 POWER MANAGEMENT

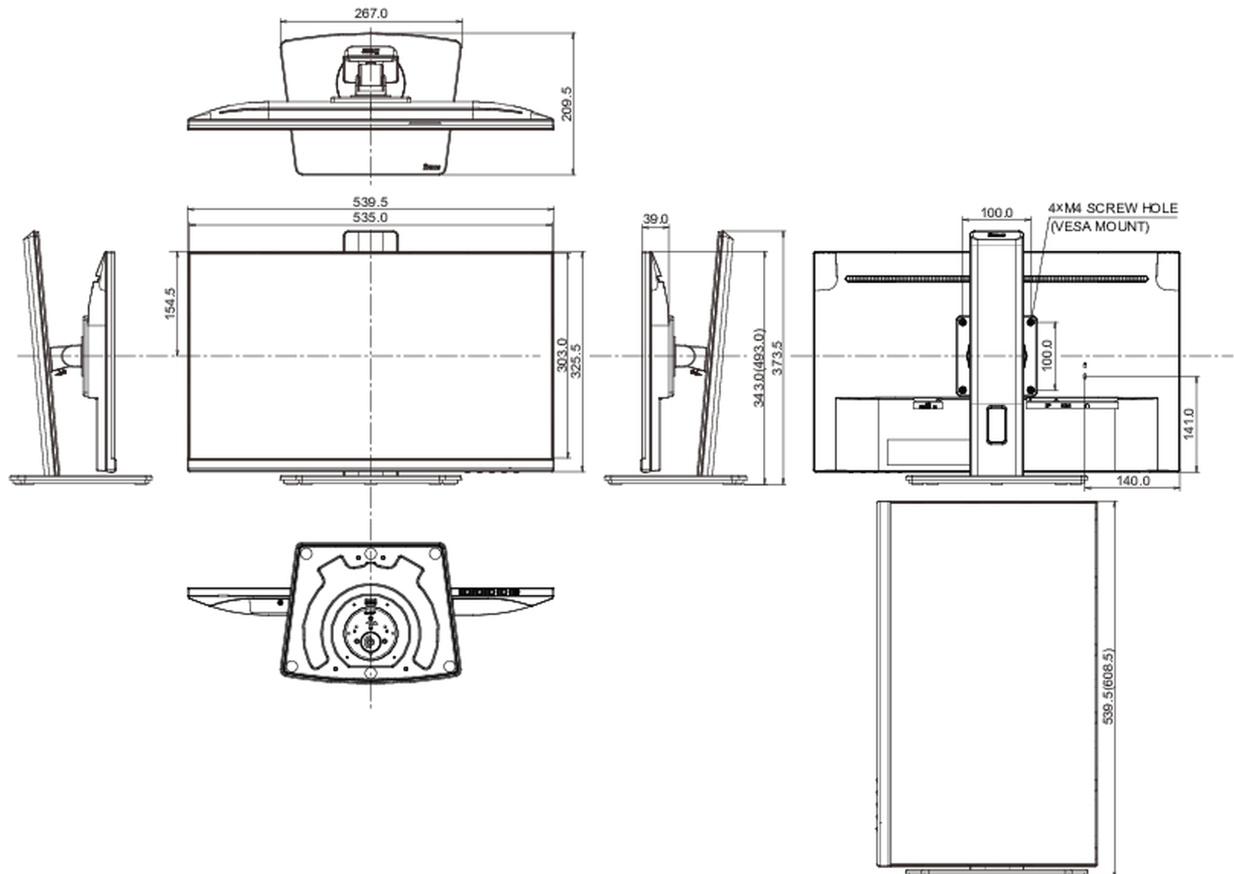
Power supply unit	internal
Power supply	AC AC - 100V, 240/V, 50Hz
Power usage	16W typical, 0.5W stand by, 0.3W off mode

## 07 SUSTAINABILITY

Regulations	TCO Certified, CE, TÜV-Bauart, EAC, VCCI-B, PSE, RoHS support, ErP, WEEE, REACH, UKCA
Energy efficiency class (Regulation (EU) 2017/1369)	E
REACH SVHC	above 0.1%: Lead

## 08 DIMENSIONS / WEIGHT

Product dimensions W x H x D	539.5 x 343 (493) x 209,5mm
Box dimensions W x H x D	640 x 390 x 145mm
Weight (without box)	5.1kg
Weight (with box)	6.4kg
EAN code	4948570124763



*All trademarks and registered trademarks acknowledged. E & O E. Specification subject to change without notice. All LCD's comply with ISO-9241-307:2008 in connection with pixel defects.*

© IYAMA CORPORATION. ALL RIGHTS RESERVED