

DATASHEET

Cat.6A U/FTP Flat patch cable

Art.-No.: K5545xx.x

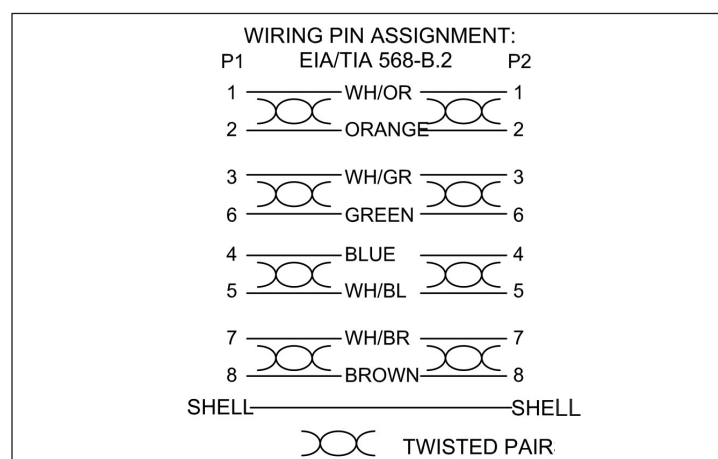


Characteristics

- Pair Shielded Cat.6A Flat patch cable
- Slim dimensions (7,0mm x 2,2mm)
- Ultra short connector
- Available in length of 0,25m - 15m and in the colour grey, green, yellow, blue, red, black, white
- Use of temperature: -10°C - 60°C

Layout

Side A		Side B	
Pin	wire colour	Pin	wire colour
1	ws/or	1	ws/or
2	or	2	or
3	ws/gn	3	ws/gn
4	bl	4	bl
5	ws/bl	5	ws/bl
6	gn	6	gn
7	ws/br	7	ws/br
8	br	8	br



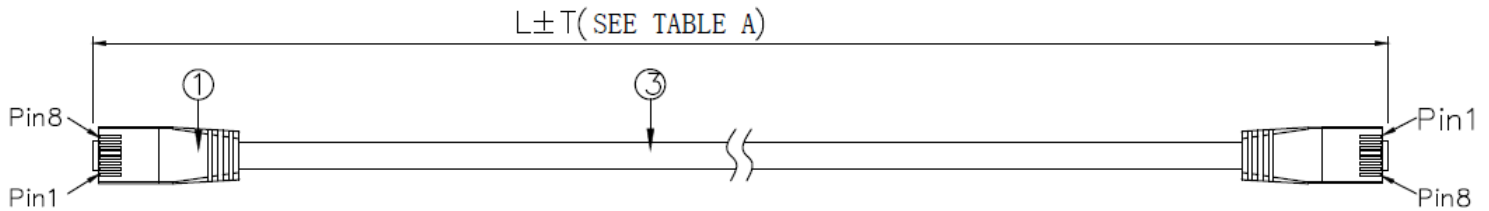
Art.No.	K5545xx.x	File	K5545xx.x.indd		
Description	Cat.6A U/FTP Flat patch cable				
Created	Date	Last revision	Date	Proved	Date
JB	16.02.2016	BF	23.12.2016	EP	23.12.2016

DATASHEET

Cat.6A U/FTP Flat patch cable

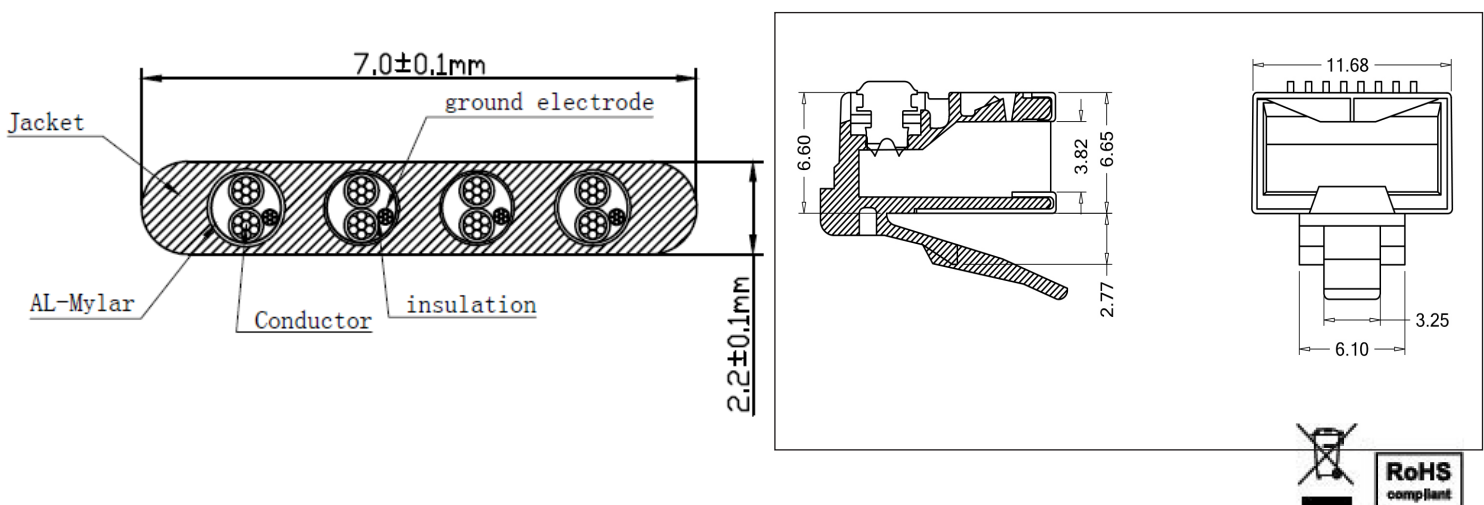
Art.-No.: K5545xx.x

Raw cable specification:



LENGTH (L)		Description	
250 ± 10mm	3000 ± 30mm	Molding material	PVC 60P
500 ± 10mm	5000 ± 50mm	① Plug	RJ45 8P8C golden plated 3u Transparent shielded
1000 ± 10mm	7500 ± 50mm	② Molding	MDS
1500 ± 15mm	10000 ± 80mm	Conductor	AWG30 7/0.10 BC
2000 ± 20mm	15000 ± 100mm	③ Cable	CAT6A U/FTP 7/0.10BC*4P+AL+D(7/0.1BC) PVC OD: 7.0*2.2±0.1mm Printing content: SLIM PATCHCABLE U/FTP CAT. 6A ***10GE***

Dimensions:



Art.No.	K5545xx.x	File	K5545xx.x.indd		
Description	Cat.6A U/FTP Flat patch cable				
Created	Date	Last revision	Date	Proved	Date
JB	16.02.2016	BF	23.12.2016	EP	23.12.2016