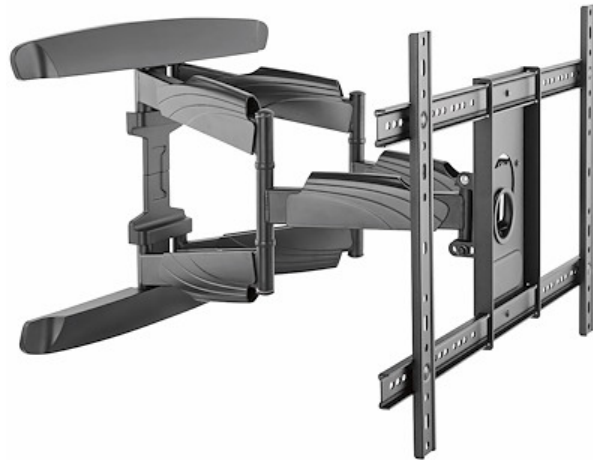


TV Wall Mount supports up to 70 inch VESA Displays - Low Profile Full Motion Universal TV Flat Screen Wall Mount - Heavy Duty Adjustable Tilt/Swivel Articulating Arm Bracket

**Product ID:** FPWARTB2



Maximize space while creating an impressive display. This full-motion TV wall mount supports flat-screen TVs from 32" to 70" in size, with a weight capacity of 99 lb. (45 kg).

Mount your flat-screen TV in a location that's convenient for visitors, clients and employees, and free up valuable space. The wall mount is ideal for a lobby, boardroom or other venue. The TV wall mount also includes built-in cable management to keep cables neatly out of sight.

The TV wall mount features dual arms that extend out to 20.4" (517 mm) from the wall to provide a wide range of movement and accommodate different screen positions and angles. The arms can also fold to tuck in closely to the wall, providing a low profile that enables your display to be positioned just 2.24" (57 mm) from the wall.

You can swivel your display +90 / -90 degrees and tilt +5 / -8 degrees, letting you angle your TV display toward your audience. Plus, the tilt feature lets you adjust the TV so that you can view it comfortably at any height. A built-in level adjustment also offers 5 degree clockwise and counterclockwise turning, to ensure your display is perfectly level.

The heavy-duty steel construction, dual-arm design and dual-stud mounting for studs placed 16" apart, provides increased durability and security. It safely and securely supports your flat-screen TV, to protect your investment.

FPWARTB2 is backed by a StarTech.com 5-year warranty and free lifetime technical support.

## Certifications, Reports and Compatibility



## Applications

- Wall-mount your flat-screen TV for optimal viewing
- Ideal for lobbies, boardrooms, meeting spaces and classrooms
- Keep your guests informed and entertained

## Features

- **LARGE 70" TV WALL MOUNT:** This heavy-duty TV wall mount supports VESA compatible displays (incl. curved TVs) up to 70 inch (99 lb/45 kg) w/ a durable full-motion steel frame and a powder-coated finish
- **WIDE RANGE OF MOTION:** Articulating & adjustable TV wall mount offers +/-90 swivel, +/-15 tilt & +/-5 LCD screen level adjustment without the use of additional tools to ensure display is level
- **EXTENDING ARMS:** Arms extend from 2.4" (57mm) to 20.4" (517mm) from the wall; With the length of the arms, center of the television display has an overall lateral range (left to right) of 34.6" (880mm)
- **COMPATIBILITY:** Universal TV wall mount supports LG, Samsung, Sony, Sharp, and others (screws/spacers incl) & VESA hole patterns 200x100, 200x200, 200x300, 200x400, 300x200, 300x300, 400x200, 400x300, 400x400, 600x200, 600x300, 600x400
- **TIDY AESTHETIC:** The flat panel TV wall mounting bracket w/ integrated cable management & optional black snap-on covers keeps cables organized; ideal for customer-facing digital signage

---

## Hardware

Warranty	5 Years
Wallmountable	Yes
Cable Management	Yes
Articulating	Yes
# of Displays Supported	1
Mounting Options	Wall-Mount
Minimum Profile from Wall	2.2 in [57 mm]
VESA Hole Pattern(s)	200x100 mm
	200x200 mm
	200x300 mm
	200x400 mm
	300x200 mm

300x300 mm  
400x200 mm  
400x300 mm  
400x400 mm  
600X200 mm  
600x300 mm  
600x400 mm

---

**Performance**

Weight Capacity (Per Display)	99.2 lb [45 kg]
Minimum Display Size	32"
Maximum Display Size	70"
Fits Curved Display	Yes
Video Wall	No
Maximum Arm Extension	20.4 in [517.5 mm]
Display Tilt	+5 / -8
Swivel / Pivot	+90 / -90
Anti-theft	No

---

**Physical Characteristics**

Color	Black
Material	Steel
Product Length	25.3 in [64.3 cm]
Product Width	20.4 in [51.7 cm]
Product Height	16.5 in [41.8 cm]
Weight of Product	14.9 lb [6.8 kg]

---

**Packaging Information**

Package Quantity	1
Package Length	16.5 in [41.8 cm]
Package Width	26.6 in [67.6 cm]
Package Height	3.1 in [7.8 cm]
Shipping (Package) Weight	16.2 lb [7.3 kg]

---

**What's in the Box**

Included in Package	1 - wall mount
	2 - vertical brackets
	2 - horizontal brackets
	1 - wrench
	4 - bracket screws
	4 - nuts
	2 - mounting screws
	4 - M5x14 mm screws
	4 - M6x14 mm screws
	4 - M6x30 mm screws
	4 - M8x30 mm screws
	4 - M8x50 mm screws
	4 - small washers
	4 - large washers
	8 - small spacers
	8 - large spacers
	6 - screws
	6 - concrete screws
	6 - bracket washers

1 - instruction manual

---

**Warranty  
Information**

Warranty

5 Years

---

***\*Product appearance and specifications are subject to change without notice.***