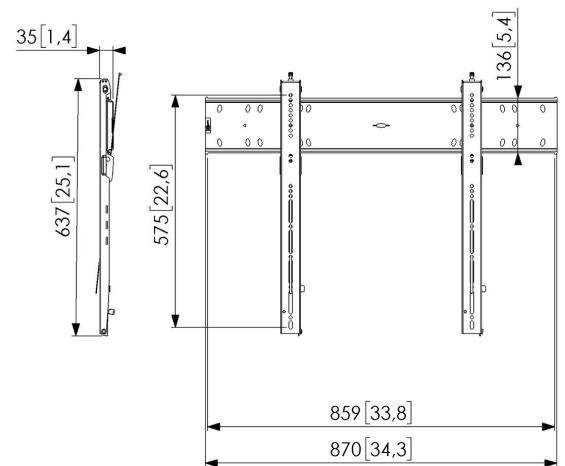


## PFW 6800 Display Wall Mount

### Key Benefits

- Easy levelling and installation
- For the heaviest displays
- Self-centering display bolts
- Integrated lock
- Locked service position

The PFW 6800 is a sturdy and at the same time elegant fixed wall mount. It features an aesthetically integrated lock whilst maintaining a depth of only 35 mm. The mount can hold displays from 55 to 80 inch, weighing up to 100 kg. The integrated touch-screen stabiliser ensures that even the largest touch screens can be mounted perfectly vertical and stable on the wall.





## PFW 6800 Display Wall Mount

# Specifications

Min. screen size (inch)	55
Max. screen size (inch)	80
Min. hole pattern	75mm x 75mm
Max. hole pattern	800mm x 500mm
Min. horizontal hole pattern (mm)	75
Max. horizontal hole pattern (mm)	800
Min. vertical hole pattern (mm)	75
Max. vertical hole pattern (mm)	500
Universal or fixed hole pattern	Universal
Max. height of interface (mm)	636
Max. width of interface (mm)	870
Max. weight load (kg)	100
Max. weight load (Lbs)	220.46
Orientation	Landscape
Service position	Yes
Levelling function	Post-installation horizontal levelling
Lock options	Lock included / integrated
Length	575
Height	637
Width	870
Depth	35
Article number (SKU)	7368000
EAN single box	8712285334160
Colour	Black
Certifications	TÜV
TÜV certified	Yes
Guarantee	5 years

VOGEL'S HOLDING BV (©)

All rights reserved.  
Subject to printing errors,  
technical and price  
amendments.

Date: 2025-05-30

