



LH750

BenQ DLP Projector

- 5000 ANSI Lumens LED Light Source
- 98% Rec. 709 Brilliant Colour
- 2D Keystone and Corner Fit

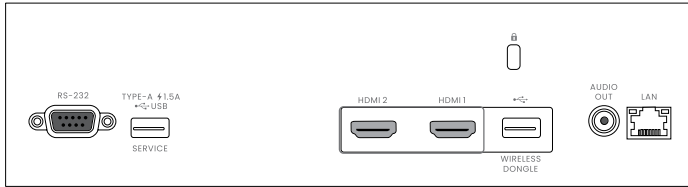


Display	
Projection System	DLP Single 0.65"
DMD Type	1080P
Native Resolution	1920 x 1080
Brightness	5000 ANSI Lumens
Contrast Ratio*	5,000,000 : 1
Display Colour	30 Bits (1.07 Billion Colours)
Aspect Ratio	Native 16:9 (4 Aspect Ratio Selectable)
Light Source	LED
Light Source Life** (Normal / Eco)	20,000 / 30,000 hours
Optical	
Throw Ratio	1.16 ~ 1.88
Zoom Ratio	1.62
Keystone Correction	2D Vertical & Horizontal (±30 degrees)
Projection Offset	100% ±4.5%
Projection Size	60" ~ 200"
Audio	
Built-In Speaker	20W x1
Special Feature	
Security	Security Bar, Kensington Lock
Features	Optional Wireless Display, 2D Keystone, Corner Fit, LAN Control, FW upgrade via USB, 24/7 operation
Compatibility	
Resolution Support	VGA (640 x 480) to 4K UHD (3840 x 2160)
Horizontal Frequency	15K ~ 135KHz
Vertical Scan Rate	23 ~ 120Hz
HDTV Compatibility	720p, 1080i, 1080p
Power	
Power Consumption (Max / Normal / Eco)	415W / 360W / 220W
Standby Power Consumption	Normal < 0.5W
Power Supply	100 ~ 240V AC
Dimension and Weight	
Product Dimensions (W x H x D)	420.7 x 286.1 x 131.7 mm
Product Weight	5.5kg ±100g
Operation Condition	
Noise Level	34 / 29 dBA
Operating Temperature	0 ~ 40°C
Accessories	
Accessories (Standard)	QSG, Remote Control, AAA Battery x2, Power Cord (by Region), Warranty Card (by Region), HDMI Cable
Accessories (Optional)	Ceiling Mount (CMG3 / 5J.JAM10.001), Wireless Dongle (EZC5201BS / 5J.JPT28.001)
OSD	
On Screen Display Language	Arabic / Bulgarian / Croatian / Czech / Danish / Dutch / English / Finnish / French / German / Greek / Indian / Hungarian / Italian / Indonesian / Japanese / Korean / Norwegian / Polish / Portuguese / Romanian / Russian / Simplified Chinese / Spanish / Swedish / Turkish / Thai / Traditional Chinese / Farsi / Vietnamese (30 Languages)
Other	
Part Number	9H.JSY77.14E
EAN Code	471 8755 09462 0

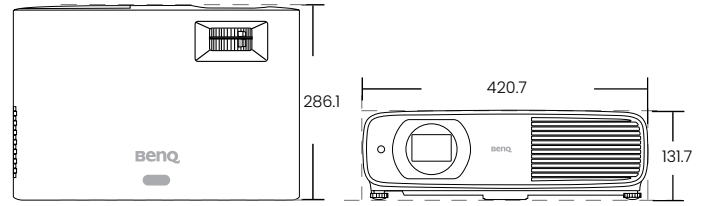
* The Contrast is measured by Full On/Full Off standard.

** Light Source Life results will vary depending on environmental conditions and usage. Actual product's features and specifications are subject to change without notice.

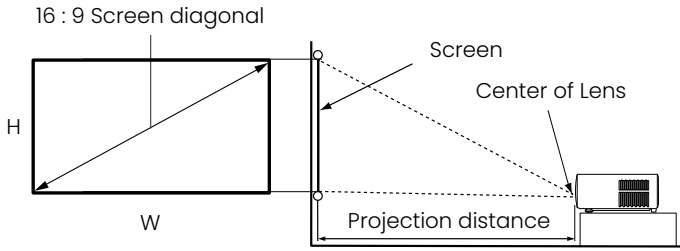
INPUT AND OUTPUT TERMINALS



DIMENSIONS (MM)



PROJECTION DIMENSIONS

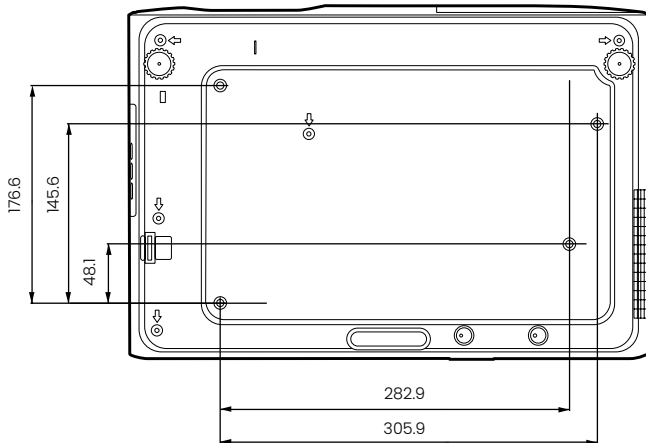


DISTANCE CHART

Screen size		Projection distance (mm)				
Diagonal		W (mm)	H (mm)	Min distance (with max zoom)	Average	Max distance (with min zoom)
Inch	mm					
30	762	664	374	770	1009	1249
40	1016	886	498	1027	1346	1665
50	1270	1107	623	1284	1682	2081
60	1524	1328	747	1541	2019	2497
70	1778	1550	872	1798	2355	2913
80	2032	1771	996	2054	2692	3330
90	2286	1992	1121	2311	3028	3746
100	2540	2214	1245	2568	3365	4162
110	2794	2435	1370	2825	3701	4578
120	3048	2657	1494	3082	4038	4994
130	3302	2878	1619	3338	4374	5411
140	3556	3099	1743	3595	4711	5827
150	3810	3321	1868	3852	5047	6243
160	4064	3542	1992	4109	5384	6659
170	4318	3763	2117	4366	5720	7075
180	4572	3985	2241	4622	6057	7492
190	4826	4206	2366	4879	6393	7908
200	5080	4428	2491	5136	6730	8324
210	5334	4649	2615	5393	7066	8740
220	5588	4870	2740	5650	7403	9156
230	5842	5092	2864	5906	7739	9572
240	6096	5313	2989	6163	8076	9989
250	6350	5535	3113	6420	8412	10405
260	6604	5756	3238	6677	8749	10821
270	6858	5977	3362	6934	9085	11237
280	7112	6199	3487	7190	9422	11653
290	7366	6420	3611	7447	9758	12070
300	7620	6641	3736	7704	10095	12486

CEILING / WALL MOUNT CHART (MM)

Ceiling/Wall mount screw: M4 * 8L



To optimise the projection quality, we suggest to project images in an area without grayscale.



benq.eu/en-eu/business/projector.html

BenQ

© 2024 BenQ Corp. Specifications may vary by region, please visit your local stores for details. Actual product's features and specifications are subject to change without notice. This material may include corporate names and trademarks of third parties which are the properties of the third parties respectively.