

## From concept to compliance, details matter

From manufacturing and engineering to architecture and high tech, CoreIDRAW<sup>®</sup> Technical Suite is the ultimate hub for designing detailed technical illustrations, documentation, marketing, and more, with total control and incredible efficiency.



### Who's it for?

#### Technical communication professionals

These users are most often trained professionals, in the discrete manufacturing, automotive, aerospace, high tech and telecommunications, architecture, engineering and construction (AEC), or apparel industries, looking to create graphics for assembly instructions, user guides, illustrated parts catalogs (IPCs), maintenance manuals, schematics, or wiring diagrams.

#### Technical graphics users

Much of these users are self-taught, knowledge workers in medium to large enterprises, such as manufacturing, automotive, telecommunications, pharmaceuticals, chemicals, and energy industries, to create a variety of graphics, including diagrams used in presentations, floor plans, schematics, and marketing materials.

## What are CoreIDRAW Technical Suite's competitive advantages?

Compared to creative graphics products similar to CoreIDRAW Graphics Suite and Adobe CC

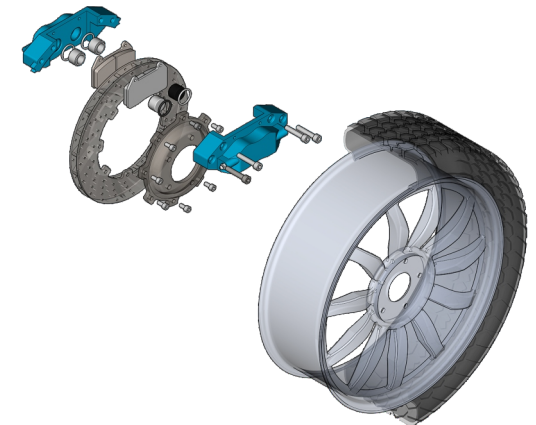
- Dedicated technical illustration tools for a more efficient workflow.
- Industry-standard file format support (e.g., advanced CGM profiles; 3D PDF; SVG).
- 3D CAD data repurposing (with CoreIDRAW Technical Suite 3D CAD Edition).
- Effective multilingual graphics authoring through Translation Memory System (TMS) support

Compared to technical illustration products similar to IsoDraw

- State-of-the-art technology, including 64-bit applications.
- Complete suite of integrated applications, including professional photo editing, layout, and bitmap-to-vector tracing.
- Extensive content library with technical symbols, high-res photos and fonts for use with any Windows application.

Compared to CAD applications similar to AutoCAD

- Complementary suite of applications to close gaps in technical drawing and design workflows: photo editing, layout, sketching and (creative) design, technical illustration.
- Extensive file format support for import/ export (incl. DWG, DXF for collaboration with CAD apps).



## What are the key features and benefits?

### Complete suite for visual technical communication

Create everything from precise technical illustrations with Corel DESIGNER™ to stand-out marketing collateral with CorelDRAW®. Edit photos for documentation with Corel PHOTO-PAINT™ and add screenshots with Corel® CAPTURE™.

### 3D repurposing

Repurpose 3D designs with XVL Studio Corel Edition or choose CorelDRAW Technical Suite 3D CAD for advanced 3D CAD assembly formats. Insert 3D models, data tables, and .DES or .CDR illustrations as linked or embedded objects into Corel DESIGNER for instant access, sharing, and reference.

### Advanced standards compliance

Ensure compliance with various standards-based systems thanks to CorelDRAW Technical Suite's comprehensive support for technical publication standards. Reach a worldwide audience with Translation Memory System (TMS) support, making authoring localized documents a breeze. Publish S1000D (incl. Issue 5.0) or ATA iSpec 2200 compliant IETPs and deliver technical communication projects that feature 3D PDF and PDF/A support.

### Graphically rich technical design tools

Access dedicated illustration and design tools that ensure accuracy for isometric drawing, detailed callouts, advanced dimensioning, and so much more. Find features and functionality that enable technical illustrators, writers and graphics users to produce just about anything—from detailed schematics and floor plans to complex maintenance manuals and spare parts pages.

### Unmatched file format compatibility

With support for the latest file formats widely used in technical publications, including CGM, WebCGM, 3D PDF, and SVG with interactive possibilities, CorelDRAW Technical Suite ensures that technical graphics professionals can access critical data from various sources and deliver technical files in a readable format. Import from, and export to, an expansive list of file formats, including EPS, DWG, TIFF, PNG, JPEG, and WebP.

## What's new in CorelDRAW Technical Suite 2025?

Packed with innovative new apps, features, content, and enhancements, CorelDRAW Technical Suite opens a world of endless design possibilities with unmatched speed and control.

- **CorelDRAW Web**

Expand your design space with CorelDRAW Web— a browser-based version of CorelDRAW that gives you the flexibility to work from anywhere. CorelDRAW Web includes full .CDR and .DES file support and compatibility with CorelDRAW on the desktop.

- **Print to PDF**

Explore advanced Print to PDF capabilities in Corel DESIGNER, CorelDRAW, and Corel PHOTO-PAINT, streamlining your print workflow by eliminating unnecessary steps for faster, more efficient output.

- **Updated 3D CAD import support**

**(only available in CorelDRAW Technical Suite 3D CAD)**

Benefit from updated 3D CAD import support in XVL Studio 3D CAD Corel Edition, allowing seamless integration of complex models and significantly improving workflow efficiency.

- **Other improvements**

Enjoy performance and quality improvements, direct access to an expanded selection of Google Fonts, 50 newly added Painterly brushes, and advanced security upgrades.

## Subscribe to the latest and greatest

### Experience a seamless transition from 3D design to illustration

Turn repurposed 3D engineering data into detailed technical illustrations with ease.

Effortlessly apply S1000D certified colors to your illustrations straight from XVL Studio's Color toolbar, and/or use XVL Studio 3D CAD's S1000D-compliant illustration output preset to ensure your work is compliant and ready for professional use.

### Create complete spare parts pages with impressive functionality

Create detailed spare parts pages with complete control, thanks to a series of noteworthy features purpose-built to power discrete manufacturing workflows.

Publish fully interactive documentation online, thanks to interactive SVG export support in the Export docker.

### Work faster with a reimagined approach to technical illustration

Experience streamlined technical illustration with professional design and documentation features.

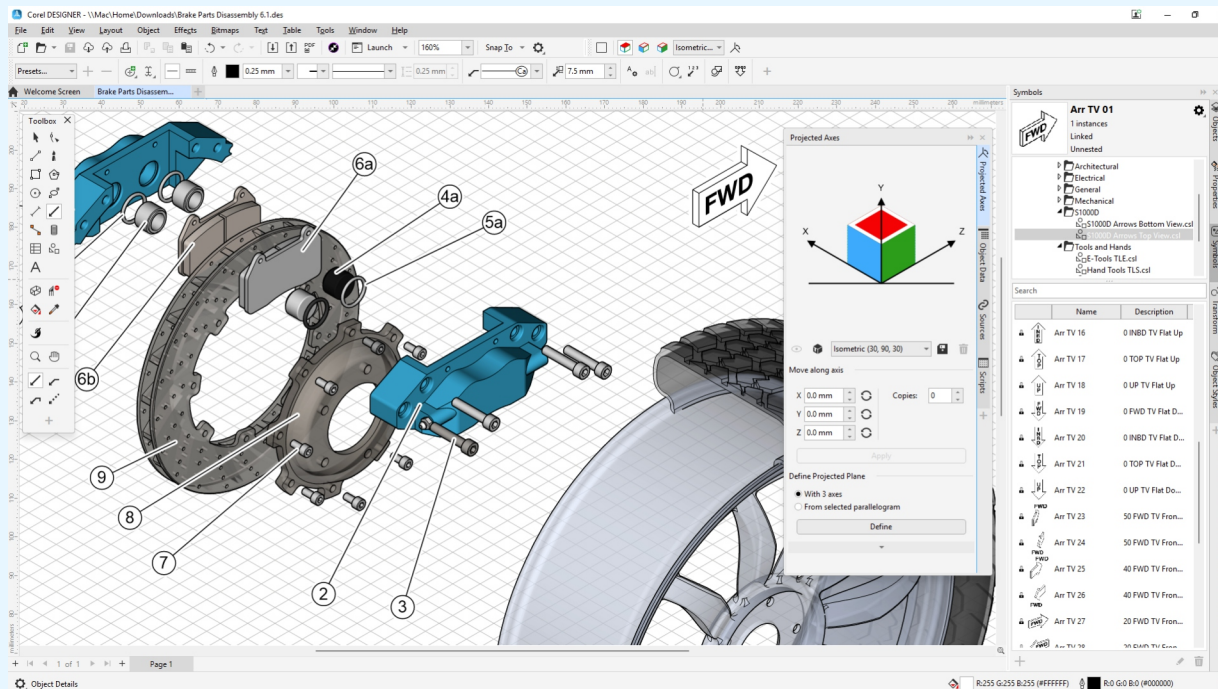
Corel DESIGNER simplifies complex technical illustrations with tools like Focus Mode for precise edits in isolation and the Variable Outline tool for seamless curve adjustments.

Flexible scaling methods ensure accuracy, while enhanced CGM 4 workflows improve efficiency with object data. Save time by pinning custom perspective settings and projecting shapes instantly with intuitive shortcuts.

### Transform technical designs into compelling marketing assets

This fully loaded suite of dedicated applications extends the reach of visual communications.

Manage entire projects seamlessly in a flexible design space with Multipage View, and apply non-destructive image adjustments quickly in Corel PHOTO-PAINT.



## Product editions

### CoreIDRAW Technical Suite

A robust suite of tools designed for professional technical design and precise documentation.

### CoreIDRAW Technical Suite 3D CAD

Explore advanced tools that enable the conversion of intricate 3D components into precise, illustrative visuals, supporting enhanced 3D CAD visualization and authoring.

[Compare product editions](#)

## What's included?

### Applications

- Corel DESIGNER™—Precise technical illustration
- XVL Studio Corel Edition (or XVL Studio 3D CAD Corel Edition)\*—3D visualization and authoring
- CoreIDRAW®—Vector illustration and page layout
- CoreIDRAW® Web—Browser-based vector illustration and graphic design
- Corel PHOTO-PAINT™—Professional image editing
- Corel® Font Manager—Font exploration and management tool
- CAPTURE™—Screen capture tool

\*XVL Studio 3D CAD Corel Edition (for advanced 3D CAD data repurposing) is only available with the CoreIDRAW Technical Suite 3D CAD product edition.

### Content

- 4,000 industry-standard symbols: Architectural, Electrical, General, Mechanical, as well as Hands and Tools
- 7,000 clipart, digital images, and vehicle wrap templates
- 1,000 high-resolution digital photos
- Over 1,000 TrueType and/or OpenType fonts, plus integrated access to over 1,700 Google Fonts families
- Over 500 professionally designed templates, incl. 40+ technical ANSI, DIN, and ISO standard templates
- Over 700 fountain, vector and bitmap fills
- 200+ pixel-based brushes

## System requirements

- Windows 11 (Version 22H2 or later), or Windows 10 (Version 22H2), 64-bit, with latest updates
- Intel Core i3/5/7/9 or AMD Ryzen 3/5/7/9/Threadripper, EPYC
- OpenCL 1.2-enabled video card with 3+ GB VRAM
- 8 GB RAM (16 GB RAM or higher recommended)
- 11 GB hard disk space for application and installation files
- Mouse, tablet or multi-touch screen
- 1280 x 720 screen resolution at 100% (96 dpi)

### CoreIDRAW Web - browser requirements

- Google Chrome Version 130 or higher
- Microsoft Edge Version 130 or higher
- Firefox\* Version 130 or higher

\*Support for Firefox is limited, and some features (such as clipboard) may not work as expected.

## Flexible purchasing options and pricing:

Flexible, affordable purchasing options for all team sizes and budgets make CoreIDRAW Technical Suite perfect for any business or individual. Choose between subscription or perpetual with included maintenance and pick the product edition that best suits your needs, whether that's professional or advanced.