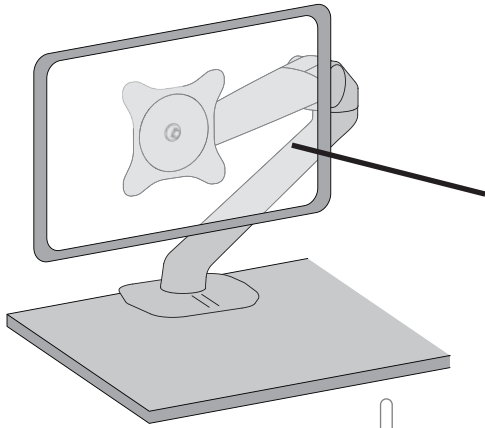
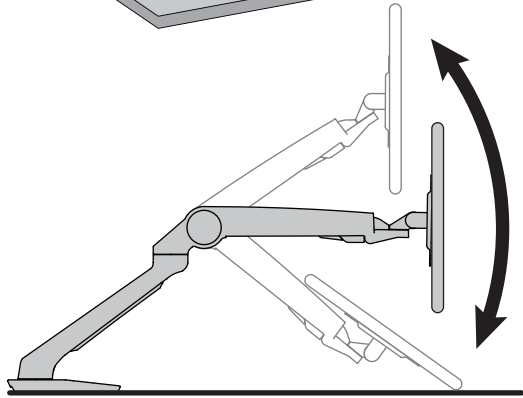


MX mini Desk Mount



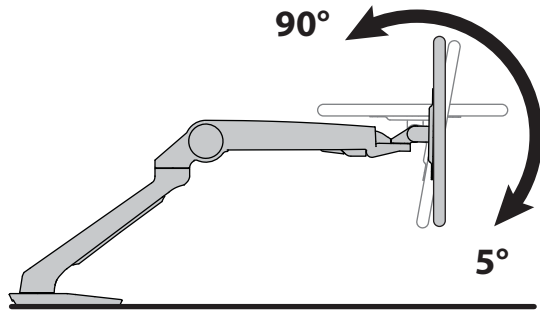
LB kg 8 lbs. (3.6 kg)

CAUTION: DO NOT EXCEED MAXIMUM LISTED WEIGHT CAPACITY. SERIOUS INJURY OR PROPERTY DAMAGE MAY OCCUR!



12.6"
(320 mm)

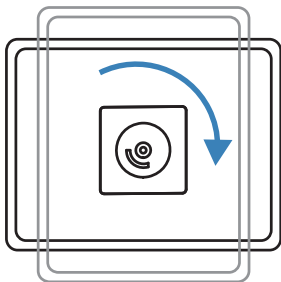
Side View



90°

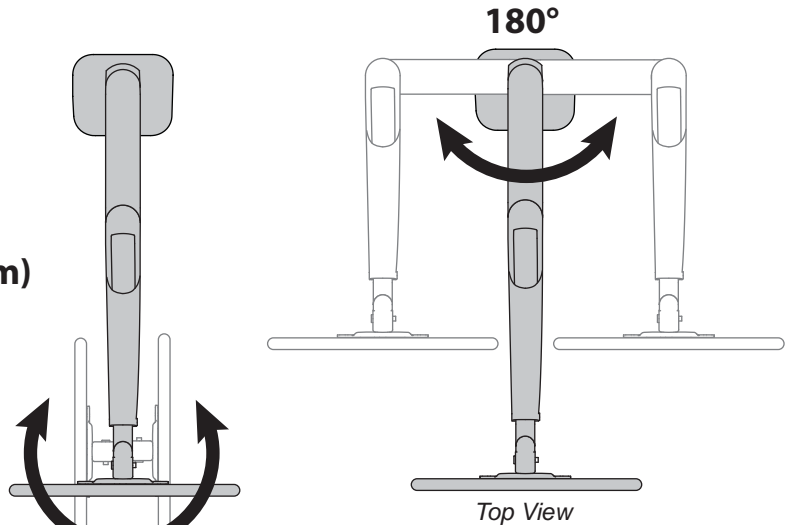
5°

Side View



Front View

Portrait/Landscape Rotation.



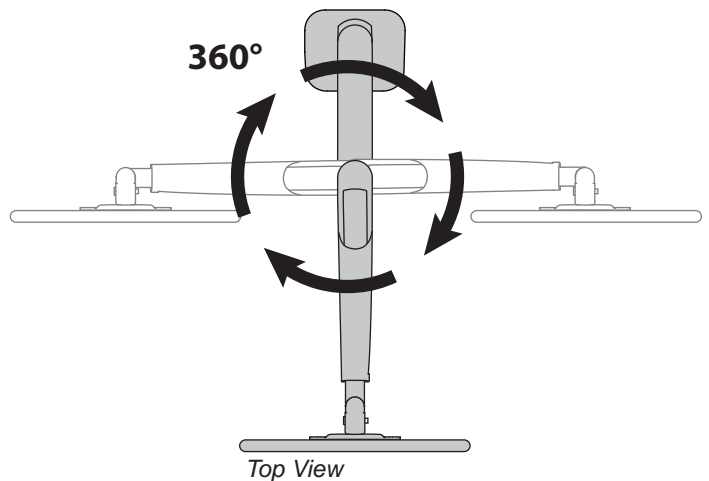
180°

Top View



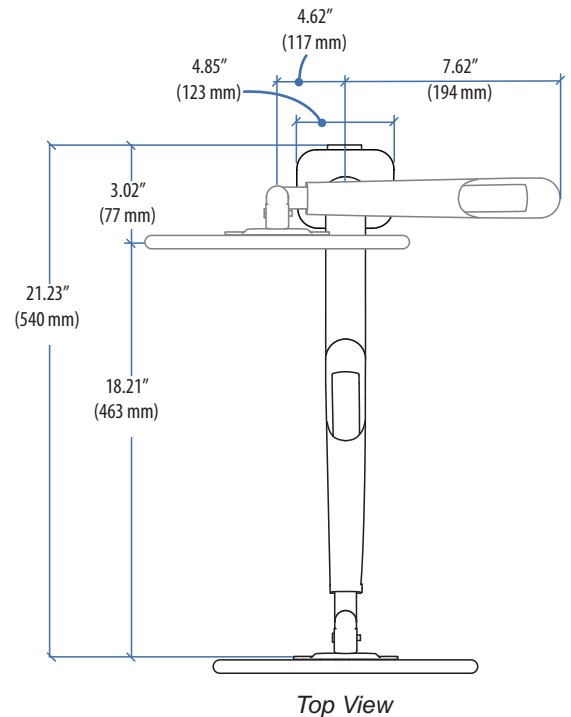
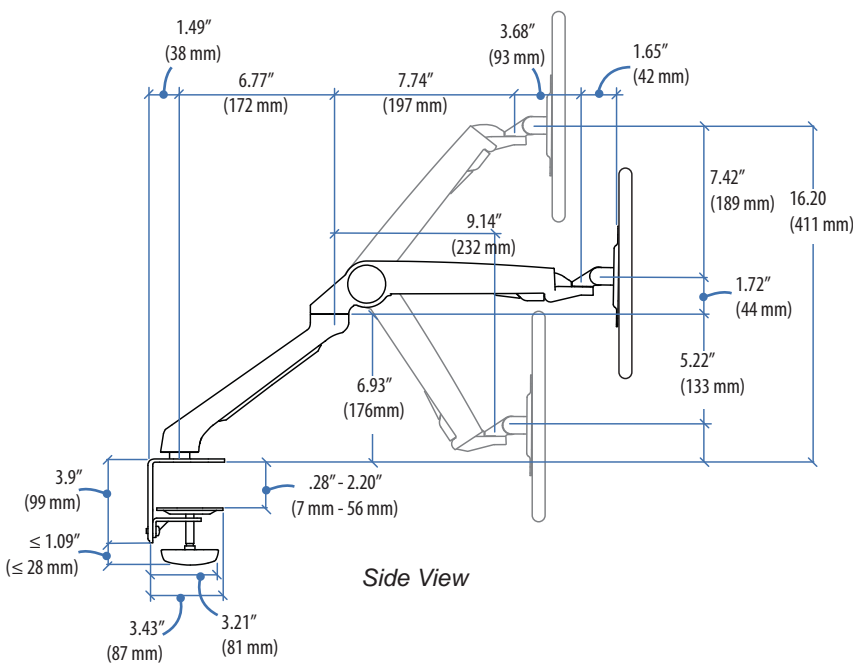
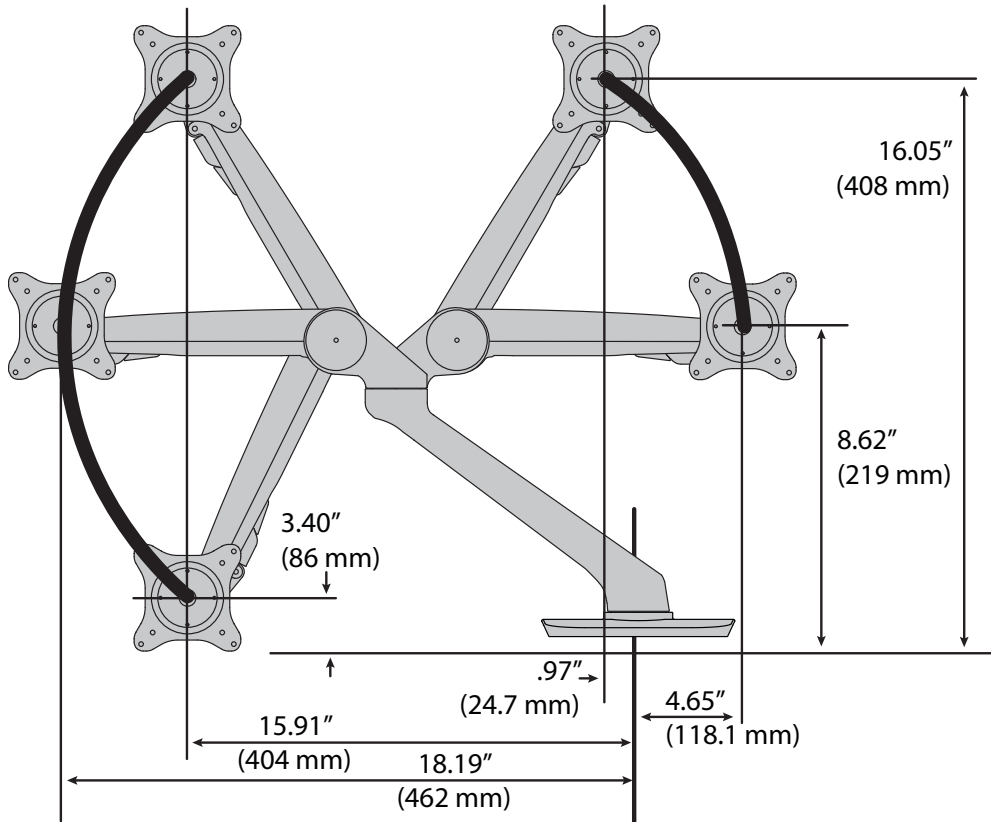
180°

Top View



360°

Top View



© 2015 Ergotron, Inc. rev. 02/02/2015 DIM-MXMiniDeskmount **Content is subject to change without notification**

Americas Sales and Corporate Headquarters

St. Paul, MN USA
 (800) 888-8458
 +1-651-681-7600
 www.ergotron.com
 sales@ergotron.com

EMEA Sales

Amersfoort, The Netherlands
 +31 33 45 45 600
 www.ergotron.com
 info.eu@ergotron.com

APAC Sales

Tokyo, Japan
 www.ergotron.com
 apaccustomerservice@ergotron.com

Worldwide OEM Sales

www.ergotron.com
 info.oem@ergotron.com