



Cleantype Xtra Touch



PRODUCT PROPERTIES

- PC keyboard made of high-quality ABS plastic
- Precise key function due to scissor mechanism
- Key lock for deactivate the keyboard during cleaning
- Cursor control by integrated touchpad
- Flat key profile
- Excellent typing feeling
- 4 LED Status indicator
- Fold-out stands for tilting the keyboard for ergonomic working

SPECIFICATION

GENERAL:	
Number of keys:	83
Housing type:	Desktop housing
Switch technology:	Silicone plunger, contact foil and scissor mechanism
Switch travel:	2,5 (+/-0,2) mm
Switch force:	0,6 (+/-0,08) N
Keyswitch life:	ca. 5 mill. (per key)
Material / colour:	Plastic / black, white
Interface:	USB
Connector:	USB Type A
Cable length:	180 cm

Weight:	610 g +/-10 g
Operating temperature:	0 °C to +40 °C
Storage temperature:	-40 °C to +55°C
Dimensions:	364,4 x 133,4 x 25 mm
Warranty:	2 years
Certifications:	CE, FCC
	EMC (Medical) EN60601-1-2: 2015+A1: 2021
	EMC (Industry) EN61000-6-2 & -6-4
TOUCHPAD:	
Active area:	62 x 46 mm

ORDER INFORMATION

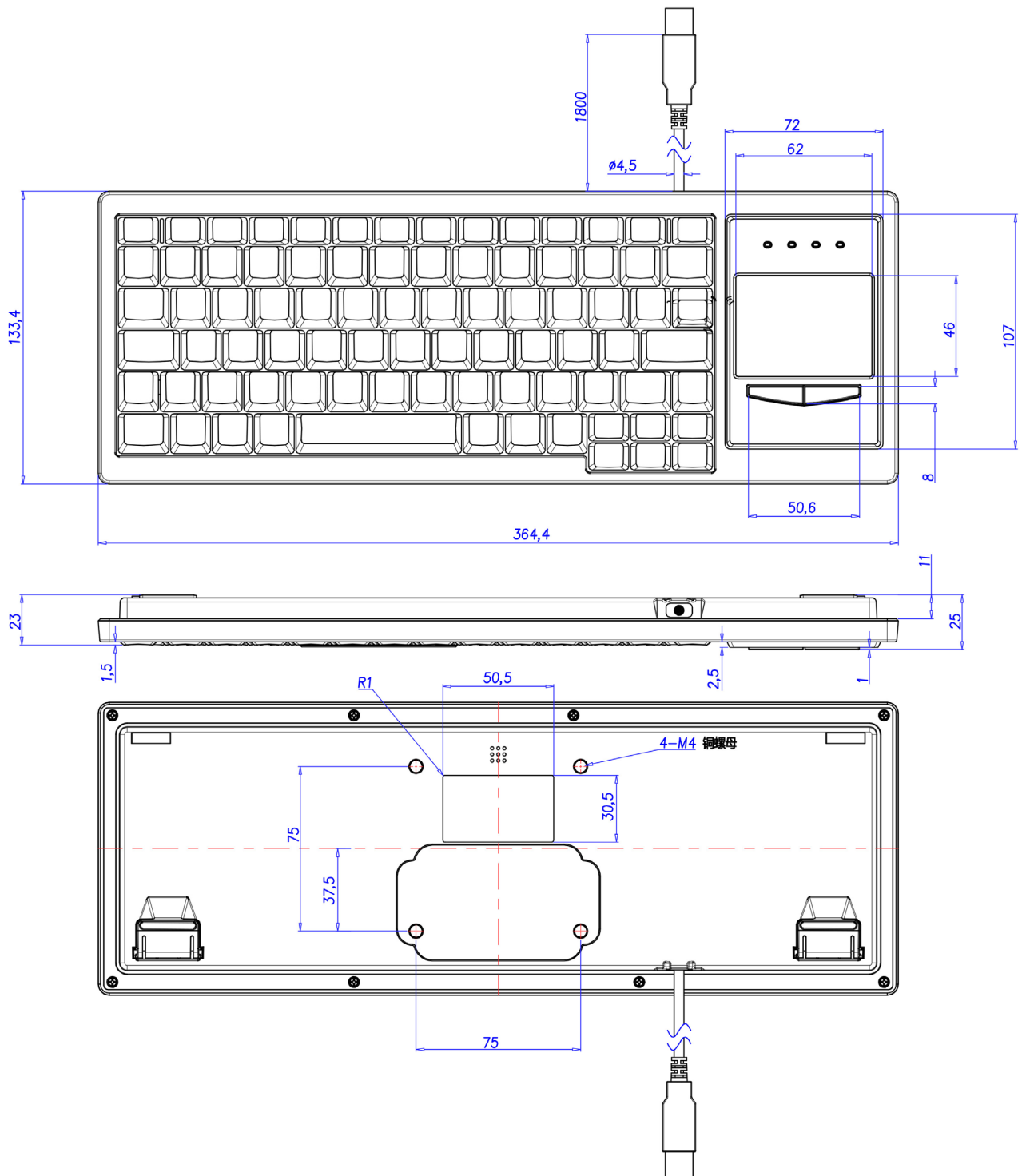
Art. No.	Full product name	Colour	Layout	Status
KL30207	TKL-083-GCQ-TOUCH-WHITE-USB-DE	white	German	FP
KL30208	TKL-083-GCQ-TOUCH-WHITE-USB-US/EU	white	US/EU	request
KL30201	TKL-083-GCQ-TOUCH-BLACK-USB-DE	black	German	FP
KL30202	TKL-083-GCQ-TOUCH-BLACK-USB-US/EU	black	US/EU	request

Other layouts, configurations and interfaces on request.

Changes and errors reserved!



TECHNICAL DRAWING





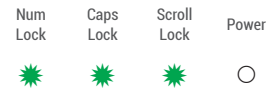
SPECIAL ATTENTION TO OPERATION AND FUNCTION

1. Fn - Layer

The keyboards of the Xtra series have an Fn layer. This is used to call up the following functions / function groups:

1. 1. KeyLock

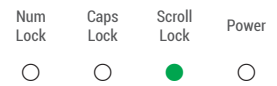
- In order to be able to switch off the keys for cleaning the keyboard without having to disconnect the keyboard from the PC, the keyboards of the Xtra series have a key lock.
- The key lock is activated and deactivated by pressing the key combination [Fn] + [F5].
- As long as the key lock is activated, this is indicated by the first three LEDs flashing.



1. 2. Keys from the navigation key area

[Print] = [Fn] + [F8]
 [Scroll Lock] = [Fn] + [F12]

The activated Scroll Lock status is indicated by the Scroll Lock LED.



[Insert] = [Fn] + [F10]
 [Delete] = [Fn] + [F9]
 [Home] = [Fn] + [←]
 [End] = [Fn] + [→]
 [Page ↑] = [Fn] + [↑]
 [Page ↓] = [Fn] + [↓]

1. 3. Numeric pad

- The keyboards of the Xtra series have a compact keyboard layout with 83 keys.
- Similar to a notebook, this layout includes a numeric pad located in the alpha keypad, which can be accessed via the Fn layer.
- Switching between the alpha keypad and the numeric pad is done with the key combination [Fn] + [F11].
- The activated numeric pad is indicated by the Num Lock LED.

