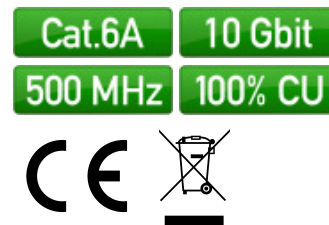
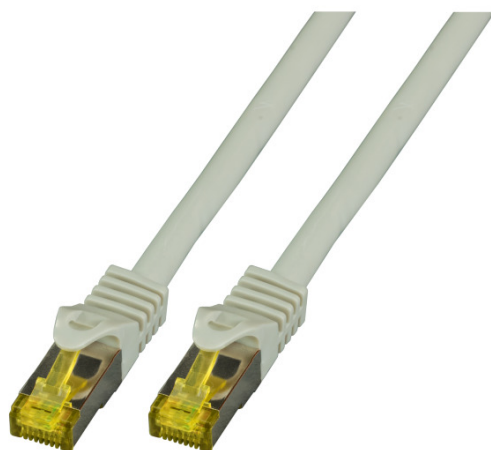


# DATASHEET

## RJ45 Patch cable S/FTP, Cat.6A, LSZH, Cat.7 Raw cable, grey



### Description

The shielded Cat.6A RJ45 patch cable with ensures excellent performance for 10 Gigabit Ethernet applications. The moulded grommet captivates with its **slim design** and thus simplifies the insertion process in cramped conditions.

Cross section 4 x 2 x AWG26 / 7

Moulded grommet, slim design

**Length imprint on the boot**

### General data

Category	6A (TIA)
Type of connector connection 1	RJ45 8(8)
Type of connector connection 2	RJ45 8(8)
Connector type	RJ45 Standard yellow
Contacts	Gold plated
Pin assignment	1:1
Allocation	acc. TIA/EIA 568B
Type	Shielded
Length imprint	yes
Anti-kink sleeve	moulded
Colour anti-kink sleeve	grey
Locking lever	yes

### Mechanical characteristics

Mating cycles	≥750
Bending radius	>32,5 mm
Conductive shield	Selected shield contact

This datasheet was created automatically on 02-11-2021 . Technical changes reserved.



# DATASHEET

## RJ45 Patch cable S/FTP, Cat.6A, LSZH, Cat.7 Raw cable, grey

### Cable construction

Raw cable	Cat.7
Cable type	S/FTP
Cable construction	4x2
AWG-size	26/7
Conductor Material	Copper

### Cable sheath

Silicone-free	yes
Jacket material	LSZH
Colour outer sheath	grey
Printing	Cat.7 raw cable S/FTP 4x2xAWG26/7 PIMF 600MHz ISO/IEC 11801 & EN50173-1 TIA/EIA 568B-2.1 Halogen Free ***10GIGABIT***
Outer diameter of the cable	6.5 mm
Flame-retardant	acc. IEC60332-1
Halogen-free	acc. IEC60754-2
Low smoke	acc. IEC61034

### Environmental conditions

Temperature range	-20 – 60 °C
-------------------	-------------

### Electrical characteristics

Impedance	100 ±5 Ω
Conductor resistance DC	146 Ω/km
Loop resistance	292 Ω/km
Resistance unbalance	5 %
Insulation resistance	10 MΩ
Contact resistance	30 mΩ
Test voltage	1000 (V DC, 1min) core/core und core/screen
POE class	PoE acc. to IEEE802.3af;PoE+ acc. to IEEE802.3at;4PPoE acc. to IEEE802.3bt

### Transmission characteristics

Bandwidth	500MHz
Transmission	10Gbit

### Standards, approvals, certifications

Connector	IEC 60603-7-51
-----------	----------------

This datasheet was created automatically on 02-11-2021 . Technical changes reserved.



# DATASHEET

## RJ45 Patch cable S/FTP, Cat.6A, LSZH, Cat.7 Raw cable, grey

### Available variants

Article no.	Title	Length	Length tolerance
MK7001.0,15G	RJ45 Patch cable S/FTP, Cat.6A, LSZH, Cat.7 Raw cable, 0,15m, grey		±5 %
MK7001.0,25G	RJ45 Patch cable S/FTP, Cat.6A, LSZH, Cat.7 Raw cable, 0,25m, grey	0.25 m	±5 %
MK7001.0,5G	RJ45 Patch cable S/FTP, Cat.6A, LSZH, Cat.7 Raw cable, 0,5m, grey	0.5 m	±5 %
MK7001.1G	RJ45 Patch cable S/FTP, Cat.6A, LSZH, Cat.7 Raw cable, 1m, grey	1.0 m	±5 %
MK7001.1,5G	RJ45 Patch cable S/FTP, Cat.6A, LSZH, Cat.7 Raw cable, 1,5m, grey	1.5 m	±5 %
MK7001.2G	RJ45 Patch cable S/FTP, Cat.6A, LSZH, Cat.7 Raw cable, 2m, grey	2.0 m	±5 %
MK7001.3G	RJ45 Patch cable S/FTP, Cat.6A, LSZH, Cat.7 Raw cable, 3m, grey	3.0 m	±5 %
MK7001.5G	RJ45 Patch cable S/FTP, Cat.6A, LSZH, Cat.7 Raw cable, 5m, grey	5.0 m	±5 %
MK7001.7,5G	RJ45 Patch cable S/FTP, Cat.6A, LSZH, Cat.7 Raw cable, 7,5m, grey	7.5 m	±5 %
MK7001.10G	RJ45 Patch cable S/FTP, Cat.6A, LSZH, Cat.7 Raw cable, 10m, grey	10.0 m	±5 %
MK7001.15G	RJ45 Patch cable S/FTP, Cat.6A, LSZH, Cat.7 Raw cable, 15m, grey	15.0 m	±5 %
MK7001.20G	RJ45 Patch cable S/FTP, Cat.6A, LSZH, Cat.7 Raw cable, 20m, grey	20.0 m	±5 %
MK7001.25G	RJ45 Patch cable S/FTP, Cat.6A, LSZH, Cat.7 Raw cable, 25m, grey	25.0 m	±5 %
MK7001.30G	RJ45 Patch cable S/FTP, Cat.6A, LSZH, Cat.7 Raw cable, 30m, grey	30.0 m	±5 %

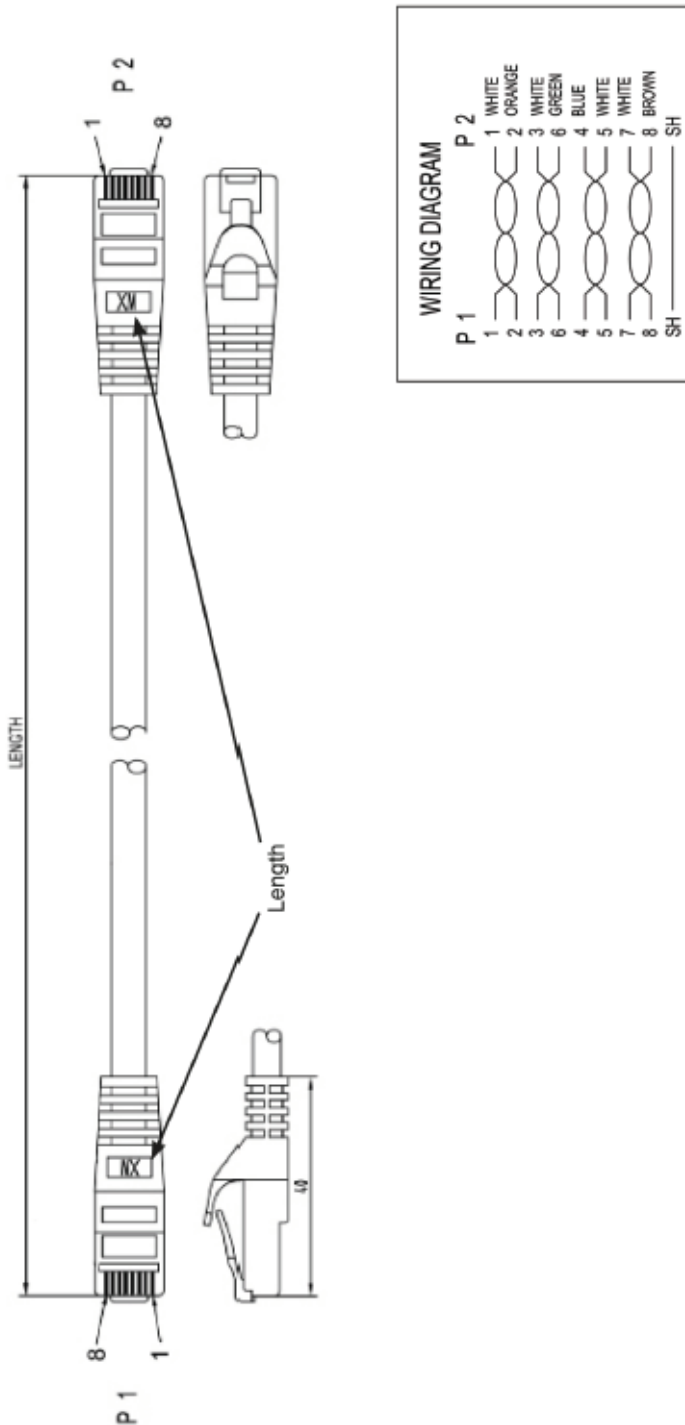
This datasheet was created automatically on 02-11-2021 . Technical changes reserved.



# DATASHEET

RJ45 Patch cable S/FTP, Cat.6A, LSZH, Cat.7 Raw cable, grey

## Technical drawings



This datasheet was created automatically on 02-11-2021 . Technical changes reserved.



# DATASHEET

## RJ45 Patch cable S/FTP, Cat.6A, LSZH, Cat.7 Raw cable, grey

### similar product

MK7001.1B	RJ45 Patch cable S/FTP, Cat.6A, LSZH, Cat.7 Raw cable, black
MK7001.1W	RJ45 Patch cable S/FTP, Cat.6A, LSZH, Cat.7 Raw cable, white
MK7001.1O	RJ45 Patch cable S/FTP, Cat.6A, LSZH, Cat.7 Raw cable, orange
MK7001.1Y	RJ45 Patch cable S/FTP, Cat.6A, LSZH, Cat.7 Raw cable, yellow
MK7001.1GR	RJ45 Patch cable S/FTP, Cat.6A, LSZH, Cat.7 Raw cable, green
MK7001.1BL	RJ45 Patch cable S/FTP, Cat.6A, LSZH, Cat.7 Raw cable, blue
MK7001.1R	RJ45 Patch cable S/FTP, Cat.6A, LSZH, Cat.7 Raw cable, rot

This datasheet was created automatically on 02-11-2021 . Technical changes reserved.



EFB-Elektronik GmbH  
Striegauer Straße 1  
33719 Bielefeld

fon: +49 521 40 41 8-0  
fax: +49 521 40 41 8-50

info@efb-elektronik.de  
www.efb-elektronik.de

WIR SORGEN FÜR VERBINDUNG  
WE CARE FOR CONNECTION

