

From concept to compliance, details matter

From manufacturing and engineering to architecture and high tech, CorelDRAW[®] Technical Suite is the ultimate hub for designing detailed technical illustrations, documentation, marketing, and more, with total control and incredible efficiency.



Who's it for?

Technical communication professionals

These users are most often trained professionals, in the discrete manufacturing, automotive, aerospace, high tech and telecommunications, architecture, engineering and construction (AEC), or apparel industries, looking to create graphics for assembly instructions, user guides, illustrated parts catalogs (IPCs), maintenance manuals, schematics, or wiring diagrams.

Technical graphics users

Much of these users are self-taught, knowledge workers in medium to large enterprises, such as manufacturing, automotive, telecommunications, pharmaceuticals, chemicals, and energy industries, to create a variety of graphics, including diagrams used in presentations, floor plans, schematics, and marketing materials.

What are CorelDRAW Technical Suite's competitive advantages?

Compared to creative graphics products similar to CorelDRAW Graphics Suite and Adobe CC

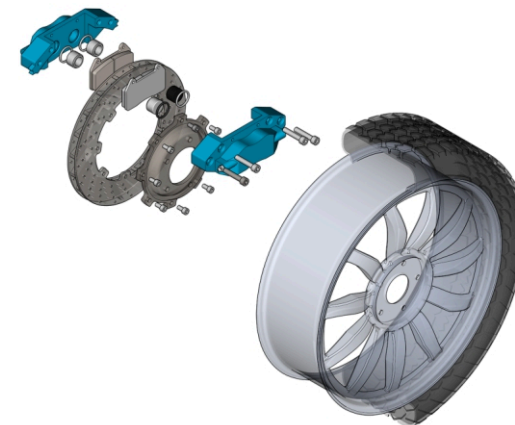
- Dedicated technical illustration tools for a more efficient workflow.
- Industry-standard file format support (e.g., advanced CGM profiles; 3D PDF).
- 3D CAD data repurposing (with CorelDRAW Technical Suite 3D CAD Edition).
- Effective multilingual graphics authoring through Translation Memory System (TMS) support

Compared to technical illustration products similar to IsoDraw

- State-of-the-art technology, including 64-bit applications.
- Complete suite of integrated applications, including professional photo editing, layout, and bitmap-to-vector tracing.
- Extensive content library with technical symbols, high-res photos and fonts for use with any Windows application.

Compared to CAD applications similar to AutoCAD

- Complementary suite of applications to close gaps in technical drawing and design workflows: photo editing, layout, sketching and (creative) design, technical illustration.
- Extensive file format support for import/ export (incl. DWG, DXF for collaboration with CAD apps).



What are the key features and benefits?

Complete suite for visual technical communication

Create everything from precise technical illustrations with Corel DESIGNER™ to stand-out marketing collateral with CorelDRAW®. Edit photos for documentation with Corel PHOTO-PAINT™ and add screenshots with Corel® CAPTURE™.

3D repurposing

Repurpose 3D designs with XVL Studio Corel Edition or choose CorelDRAW Technical Suite 3D CAD for advanced 3D CAD assembly formats. Insert 3D models, data tables, and .DES or .CDR illustrations as linked or embedded objects into Corel DESIGNER for instant access, sharing, and reference.

Advanced standards compliance

Ensure compliance with various standards-based systems thanks to CorelDRAW Technical Suite's comprehensive support for technical publication standards. Reach a worldwide audience with Translation Memory System (TMS) support, making authoring localized documents a breeze. Publish S1000D (incl. Issue 5.0) or ATA iSpec 2200 compliant IETPs and deliver technical communication projects that feature 3D PDF and PDF/A support.

Graphically rich technical design tools

Access dedicated illustration and design tools that ensure accuracy for isometric drawing, detailed callouts, advanced dimensioning, and so much more. Find features and functionality that enable technical illustrators, writers and graphics users to produce just about anything—from detailed schematics and floor plans to complex maintenance manuals and spare parts pages.

Unmatched file format compatibility

With support for the latest file formats widely used in technical publications, including CGM, WebCGM, 3D PDF, and SVG with interactive possibilities, CorelDRAW Technical Suite ensures that technical graphics professionals can access critical data from various sources and deliver technical files in a readable format. Import from, and export to, an expansive list of file formats, including EPS, DWG, TIFF, PNG, JPEG, and WebP.

Subscribe to the latest and greatest

Experience a seamless transition from 3D design to illustration

[Turn repurposed 3D engineering data into detailed technical illustrations with ease.](#)

- **S1000D-compliant illustration**

Effortlessly apply S1000D certified colors to your illustrations straight from XVL Studio's Color toolbar, and/or use XVL Studio 3D CAD's new S1000D-compliant illustration output preset to ensure your work is compliant and ready for professional use.

- **3-Point Thread Creation tool**

By referencing the center and edges of a threadless bolt, the 3-Point Thread Creation tool accurately snaps to the sides of your bolt as you drag the thread along it.

- **Remove Border tool**

The Remove Border tool takes effortless thread and well creation even further, by removing the redundant outer lines of the projected shape with one click.

Create complete spare parts pages with impressive functionality

[Create detailed spare parts pages with complete control, thanks to a series of noteworthy features purpose-built to power discrete manufacturing workflows.](#)

- **Enhanced Sources docker**

Import .DES, .CDR, and spreadsheet files into Corel DESIGNER's Sources docker to couple technical illustrations with specifications in tables.

- **Interactive SVG export**

Publish fully interactive documentation online, thanks to interactive SVG export support in the Export docker.

Work faster with a reimagined approach to technical illustration

Experience streamlined technical illustration with professional design and documentation features.

- **Focus Mode**

Design complex technical illustrations with ease using Focus Mode in Corel DESIGNER. Bring objects into focus to edit in isolation without the risk of losing your selection with a stray click.

- **Variable Outline tool**

Create seamless curves effortlessly with Corel DESIGNER's Variable Outline tool, enabling you to interactively adjust the outline width along a path.

- **Scaling tool**

Three scaling methods deliver total flexibility and accuracy when scaling objects that reference a portion of an object or another object.

- **CGM 4 workflow improvements**

Enjoy several enhancements for CGM 4 workflows to improve your efficiency with object data and Computer Graphics Metafiles.

- **Projection Bookmarks and shortcut**

Save time by pinning custom perspective settings on your illustration for later, and project shapes in and out of parallel perspective instantaneously with a handy shortcut.

Transform technical designs into compelling marketing assets

This fully loaded suite of dedicated applications extends the reach of visual communications.

- **Draw in Perspective**

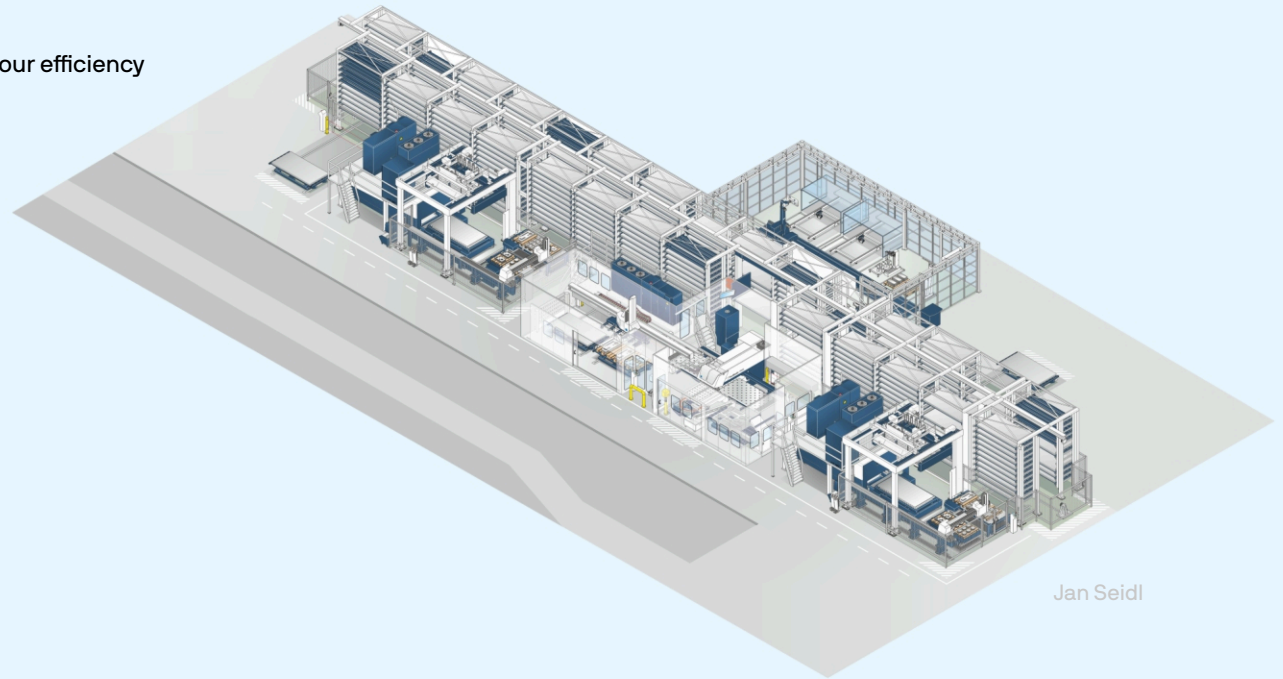
Add creative touches in 1, 2 or 3-point perspective, in Corel DESIGNER and CorelDRAW, using the Draw in Perspective feature.

- **Multipage View**

View, manage, edit, and publish all of your project's digital assets in one flexible design space.

- **Corel PHOTO-PAINT enhancements**

Use the Adjustments docker for quick access to your most frequently used filters and to apply critical image adjustments non-destructively.



Product editions:

Explore two product editions for purchase, CorelDRAW Technical Suite which includes XVL Studio Corel Edition, or transform complex 3D CAD parts and assemblies into comprehensible visualizations with CorelDRAW Technical Suite 3D CAD, including XVL Studio 3D CAD Corel Edition.

What's included?

Applications

- Corel DESIGNER™—Precise technical illustration
- CorelDRAW®—Vector illustration and page layout
- CorelDRAW® Web—Browser-based vector illustration and graphic design
- Corel PHOTO-PAINT™—Professional image editing
- XVL Studio Corel Edition—3D visualization and authoring
- Corel® Font Manager—Font exploration and management tool
- PowerTRACE™—AI-powered bitmap-to-vector tracing (included as part of Corel DESIGNER and CorelDRAW applications)
- CAPTURE™—Screen capture tool
- AfterShot™ HDR—RAW photo editor

Content

- 4,000 industry-standard symbols: Architectural, Electrical, General, Mechanical, as well as Hands and Tools
- 7,000 clipart, digital images, and vehicle wrap templates
- 1,000 high-resolution digital photos
- Over 1,000 TrueType and/or OpenType fonts, plus integrated access to over 1,400 Google Fonts families
- Over 500 professionally designed templates, incl. 40+ technical ANSI, DIN, and ISO standard templates
- Over 700 fountain, vector and bitmap fills
- 150+ pixel-based brushes

©2024 Corel Corporation. All rights reserved. Corel, the Corel balloon logo, CorelDRAW, the CorelDRAW balloon logo, Corel DESIGNER, AfterShot, CAPTURE, Corel PHOTO-PAINT, and PowerTRACE are trademarks of Corel Corporation. Apple, Apple Pencil, iPad, iPhone, Mac, macOS, MacBook Pro, SideCar are trademarks of Apple Inc. All other company, product and service names, logos, brands and any registered or unregistered trademarks mentioned are used for identification purposes only and remain the exclusive property of their respective owners.

Patents: www.corel.com/patents

Original sample artwork is provided by third parties and is used, and/or modified, by permission, unless otherwise agreed with such parties.

System Requirements

- Windows 11 or Windows 10 (Version 21H2 or later), 64-bit, with latest Updates
- Intel Core i3/5/7/9 or AMD Ryzen 3/5/7/9/Threadripper, EPYC
- OpenCL 1.2-enabled video card with 3+ GB VRAM
- 8 GB RAM
- 9 GB hard disk space for application files
- Mouse, tablet or multi-touch screen
- 1280 x 720 screen resolution at 100% (96 dpi)
- For optimal performance, ensure you have the latest device drivers provided by the manufacturer.
- Internet connection required to install and authenticate CorelDRAW Technical Suite and access some of the included software components, online features, and content.

Flexible purchasing options and pricing:

Flexible, affordable purchasing options for all team sizes and budgets make CorelDRAW Technical Suite perfect for any business or individual. Choose between subscription or perpetual with included maintenance, and pick the product edition that best suits your needs, whether that's professional or advanced.