

FEATURE HIGHLIGHTS

- 5,500 ANSI LUMENS
- WUXGA RESOLUTION
- UP TO 70,000 HOURS
- 4K COMPATIBLE
- 360 DEGREE AND PORTRAIT
- HDBASET SUPPORT
- 5 YEARS OR 20,000 HOURS GUARANTEE



Product Specifications

Articlenumber	9HJN477.25E	
EAN Code	471 8755 08401 0	
Projection System	DLP Single 0.48" WUXGA	
DMD type	DC3 DMD Chip	
Native Resolution	1920 x 1200 pixels, WUXGA	
Brightness	5,500 ANSI Lumens	
Contrast Ratio	3,000,000:1	
Display Color	1.07 billion	
Aspect Ratio	Native 16:10 (6 aspect ratio selectable)	
Light Source	Laser diodes	
Light Source Life*	Normal 20,000 / Eco 38,000 / Dimming 70,000 hours	
Throw Ratio	1,127-1,697:1	
Lens Shift	Vertical: ± 62 degrees , Horizontal: ± 24 degrees	
Keystone Correction	Vertical: ± 30 degrees , Horizontal: ± 30 degrees	
Projection Offset	0 %	
Projection Size	30" ~ 300"	
Built-in Speaker	10W	
Security	Security Bar, Kensington anti-theft lock slot	
Features	Rec. 709 92 %, Blank to True Black, 4K kompatibel, 360°- und Portrait-Projektion, Custom Lightsource Mode (light power adjustment), Dust Proof Engine, 24/7 Hours Operating, Large H/V Lens Shift, Blanking, Dynamic Dimming, Native Resolution Switch, Fast mode, Corner fit/ 2D keystone/ Digital shrink and shift.	
Resolution Support	VGA (640 x 480) to WUXGA (1920 x 1200)	
Horizontal Frequency	15 ~ 135KHz	
Vertical Scan Rate	23 ~ 120 Hz	
Compatibility	HDTV Compatibility	480i, 480p, 576i, 576p, 720p, 1080i, 1080p
	Video Compatibility	NTSC, PAL, SECAM
Power Consumptions	Max 500W / Normal 450W / Eco 350W	
Standby Power Consumption	Normal < 0.5 W, Network < 2W	
Power Supply	100 ~ 240V AC	
Product Dimensions (WxHxD)	480 x 183 x 402 mm	
Product Weight	12 kg	
Noise Level	Normal 37dBA / Eco 35 dBA	
Operating Temperature	0 ~ 40 degrees	
Accessories	Standard	Optional
	Installation Guide	3D Glasses
	Safety Guide	Ceiling Mount CM00G3
	Remote Control (RCA024)	
	AA Battery x2	
	Power Cord	
	Warranty Card (by Region)	
On Screen Display Language	Arabic / Bulgarian / Croatian / Czech / Danish / Dutch / English / Finnish / French / German / Greek / Hindi / Hungarian / Italian / Indonesian / Japanese / Korean / Norwegian / Polish / Portuguese / Rumanian / Russian / Simplified Chinese / Spanish / Swedish / Turkish / Thai / Traditional Chinese (28 Languages)	
Guarantee	5 years or 20,000 hours (which comes first)	

*Light Source life results will vary depending on environmental conditions and usage. Actual product's features and specifications are subject to change without notice.

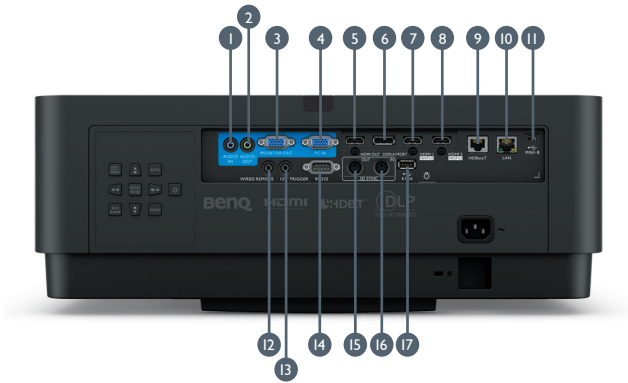
*All related Optical Value is measure by Standard Lens.

*The Contrast is measure by Full On Full Off standard.

LU960
BenQ DLP Projector

BenQ

Input and Output Terminals



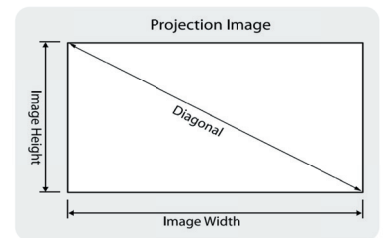
- | | |
|--------------------------------|--|
| ① Audio input (Mini Jack) | ⑩ LAN RJ45 (Control / FW Upgrade) |
| ② Audio output (Mini Jack) | ⑪ USB Typ Mini B (FW download / service) |
| ③ Monitor output (D-sub 15pin) | ⑫ Wired Remote input |
| ④ PC IN(D-sub 15pin) | ⑬ DC 12V Trigger (3.5mm Jack) |
| ⑤ HDMI output | ⑭ RS232 (DB-9pin) input |
| ⑥ Display port | ⑮ 3D Sync output |
| ⑦ HDMI 1 (HDCP 2.2) | ⑯ 3D Sync input |
| ⑧ HDMI 2 (HDCP 2.2) | ⑰ USB Typ A (Power 5V/1.5A) |
| ⑨ HDBaseT (Control / Display) | |

Dimensions

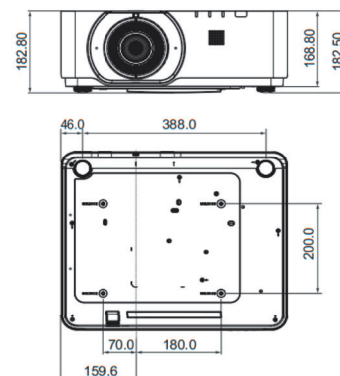
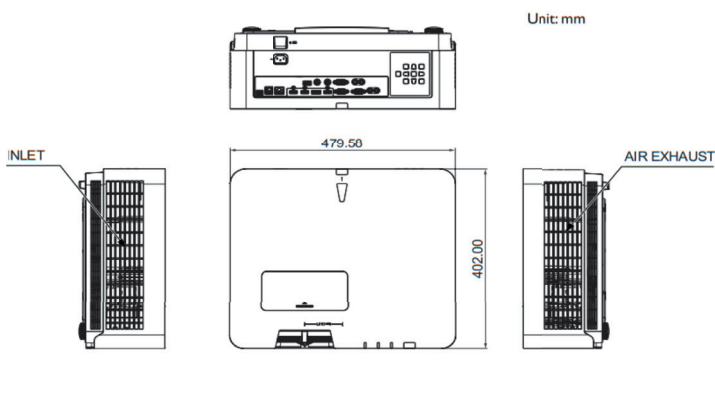


Distance Chart

Image size						Distance					
Diagonal		Width		Height		Min distance - Wide		Average		Max distance - Tele	
Inch	mm	Inch	mm	Inch	mm	Inch	mm	Inch	mm	Inch	mm
60	1524	50.9	1292	31.8	808	57.3	1456	71.8	1825	86.3	2193
100	2540	84.8	2154	53.0	1346	95.6	2427	119.7	3041	143.9	3655
130	3302	110.2	2800	68.9	1750	124.2	3156	155.7	3954	187.1	4752
150	3810	127.2	3231	79.5	2019	143.4	3641	179.6	4562	215.9	5483
160	4064	135.7	3446	84.8	2154	152.9	3884	191.6	4866	230.2	5848
170	4318	144.2	3662	90.1	2289	162.5	4127	203.6	5170	244.6	6214
180	4572	152.6	3877	95.4	2423	172.0	4369	215.5	5474	259.0	6579
190	4826	161.1	4092	100.7	2558	181.6	4612	227.5	5779	273.4	6945
200	5080	169.6	4308	106.0	2692	191.1	4855	239.5	6083	287.8	7310
250	6350	212.0	5385	132.5	3365	238.9	6069	299.3	7603	359.8	9138
300	7620	254.4	6462	159.0	4039	286.7	7282	359.2	9124	431.7	10966



Ceiling Mount Chart



BenQ Europe B.V.

Meerenakkerweg 1-17
5652 AR Eindhoven
The Netherlands
Tel: +31 88 8889200

BenQ.eu

© 2021 BenQ Corp. Specifications may vary by region, please visit your local stores for details. Actual product's features and specifications are subject to change without notice. This material may include corporate names and trademarks of third parties which are the properties of the third parties respectively. Latest Update: 2021-10-11

BENQ