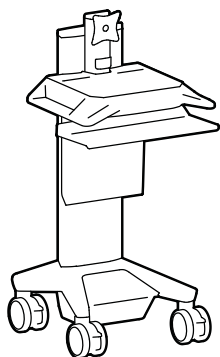
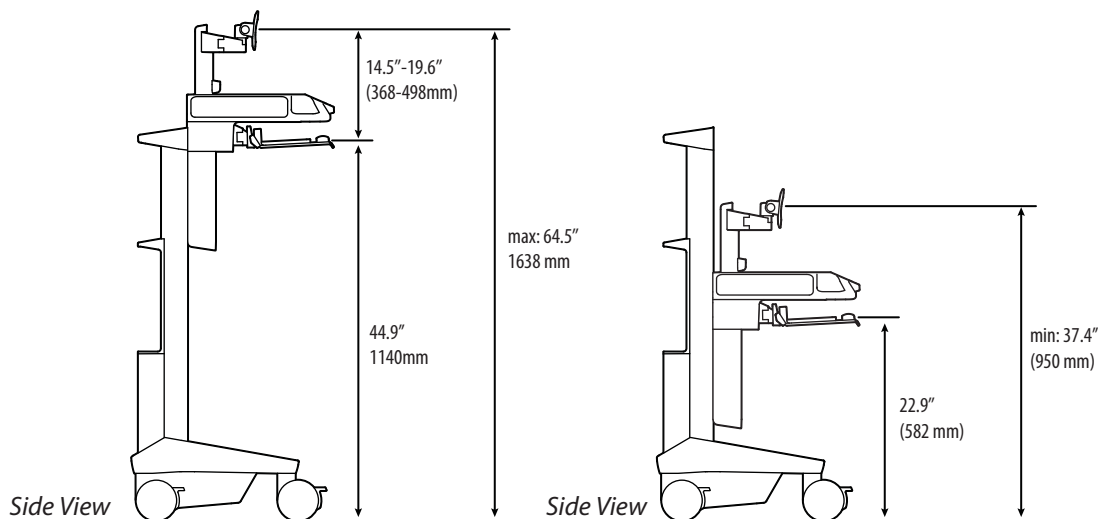


CareFit Pro Monitor Cart Powered



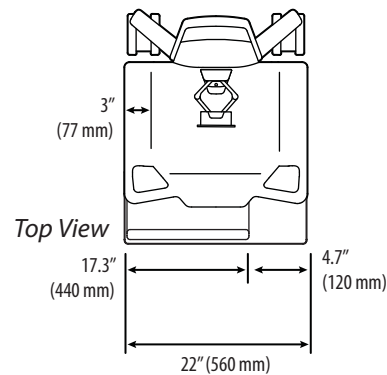
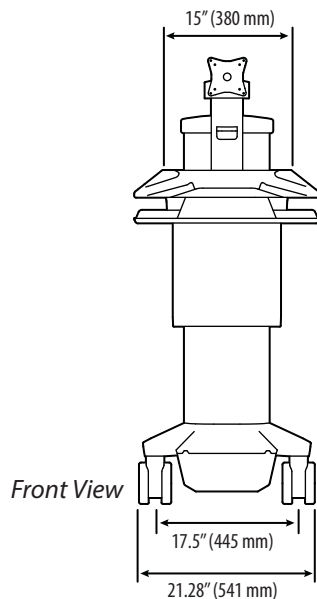
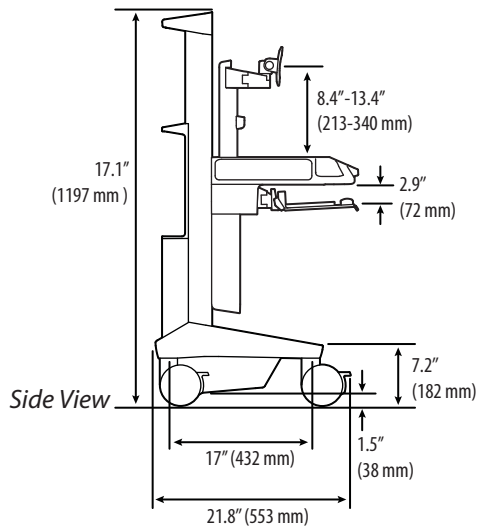
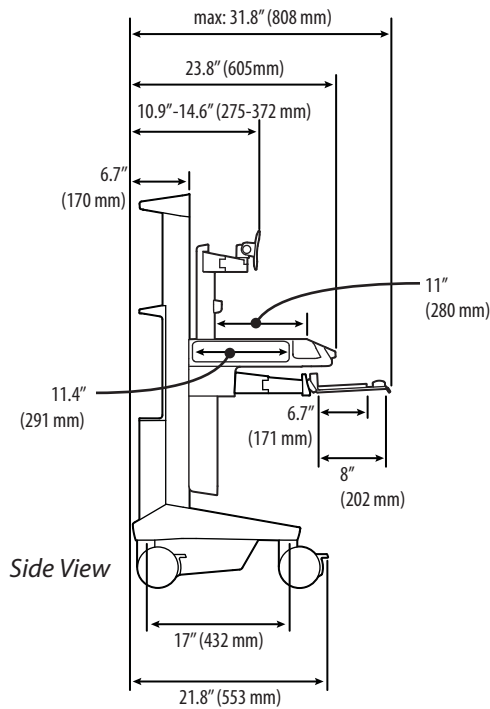
CareFit powered carts provide electrical AC power for mobile point of care computing equipment in a healthcare environment. The carts are not intended to power medical products or devices. Outlets are provided to power information technology equipment only such as computer equipment and computer peripherals.

DIMENSIONS



CareFit Pro Monitor Cart Powered

DIMENSIONS



© 2019 Ergotron, Inc. rev. 10/31/2019 DIM-CareFitPro Content is subject to change without notification

**Americas Sales and
Corporate Headquarter**

St. Paul, MN USA
 (800) 888-8458
 +1-651-681-7600
 www.ergotron.com
 ales@ergotron.com

EMEA Sales

Amersfoort, The Netherlands
 +31 33 45 45 600
 www.ergotron.com
 info.eu@ergotron.com

APAC Sales

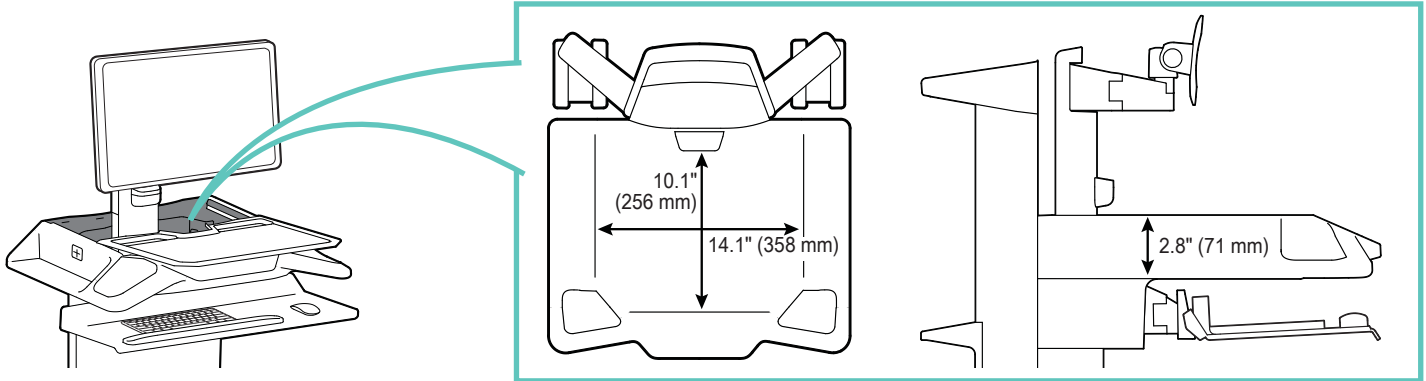
Tokyo, Japan
 www.ergotron.com
 apaccustomerservice@ergotron.com

Worldwide OEM Sales

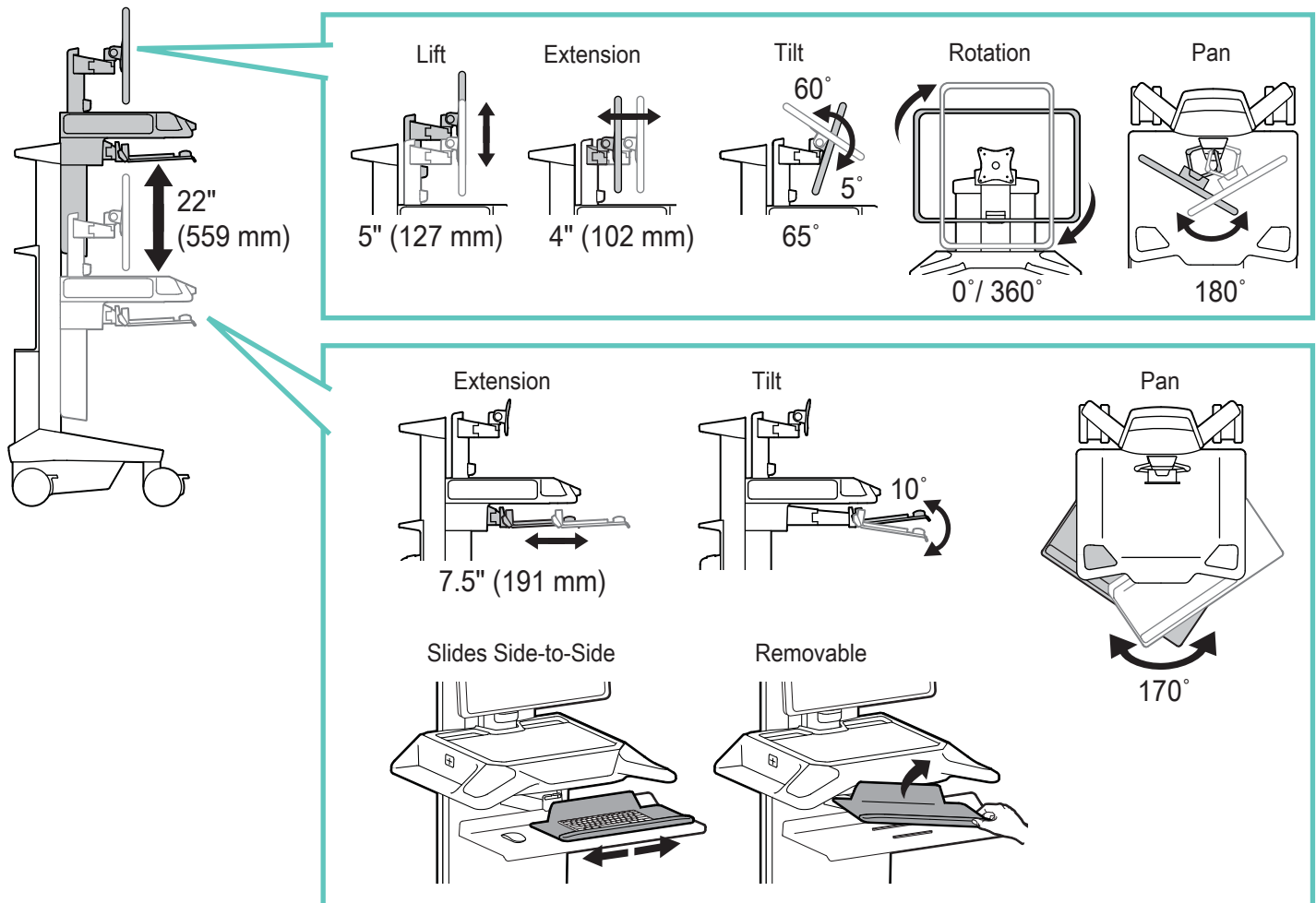
www.ergotron.com
 info.oem@ergotron.com

CareFit Pro Monitor Cart Powered

DIMENSIONS



RANGE OF MOTION



© 2019 Ergotron, Inc. rev. 10/31/2019 DIM-CareFitPro Content is subject to change without notification

**Americas Sales and
Corporate Headquarter**

EMEA Sales

APAC Sales

Worldwide OEM Sales

St. Paul, MN USA
(800) 888-8458
+1-651-681-7600
www.ergotron.com
sales@ergotron.com

Amersfoort, The Netherlands
+31 33 45 45 600
www.ergotron.com
info.eu@ergotron.com

Tokyo, Japan
www.ergotron.com
apacustomerservice@ergotron.com

www.ergotron.com
info.oem@ergotron.com

CareFit Pro Monitor Cart Powered

WEIGHT CAPACITY

