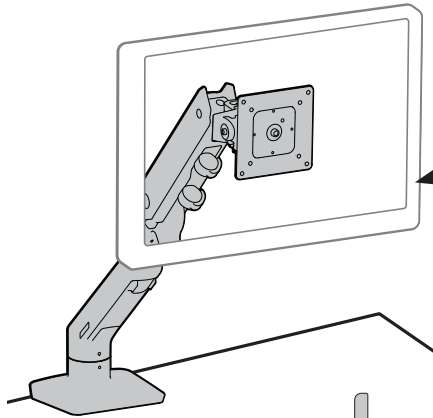
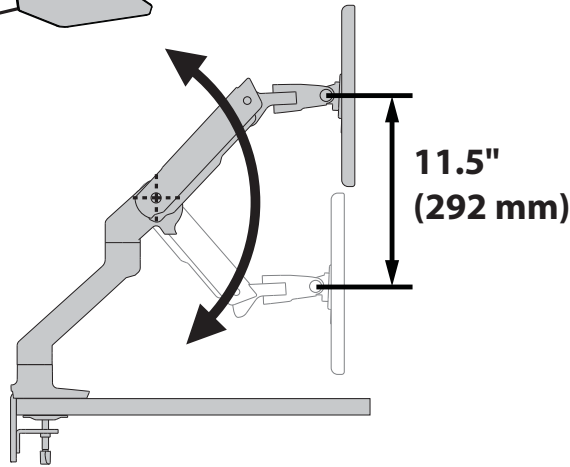


Ergotron® HX Desk Monitor Arm

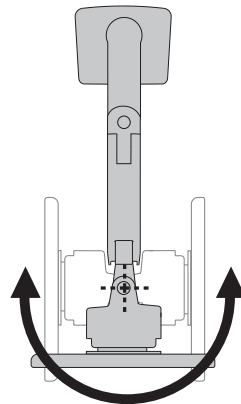


20 lbs. - 42 lbs.
(9.1 kg - 19 kg)
per monitor



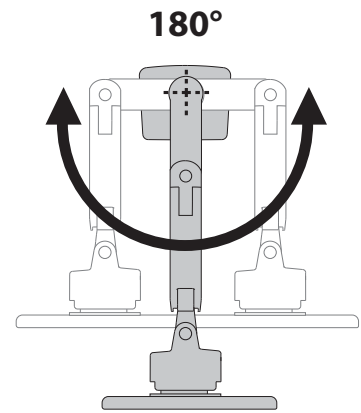
11.5"
(292 mm)

Side View



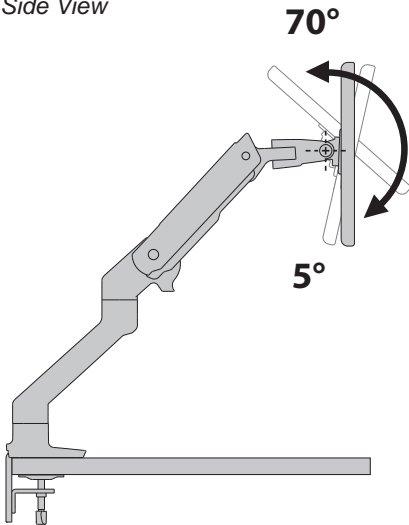
180°

Top View



180°

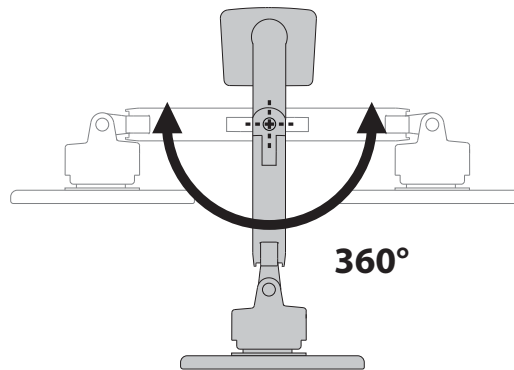
Top View



70°

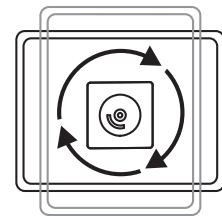
5°

Side View



360°

Top View



Portrait/Landscape Rotation

Americas Sales and Corporate Headquarters

St. Paul, MN USA
(800) 888-8458
+1-651-681-7600
www.ergotron.com
sales@ergotron.com

EMEA Sales

Amersfoort, The Netherlands
+31 33 45 45 600
www.ergotron.com
info.eu@ergotron.com

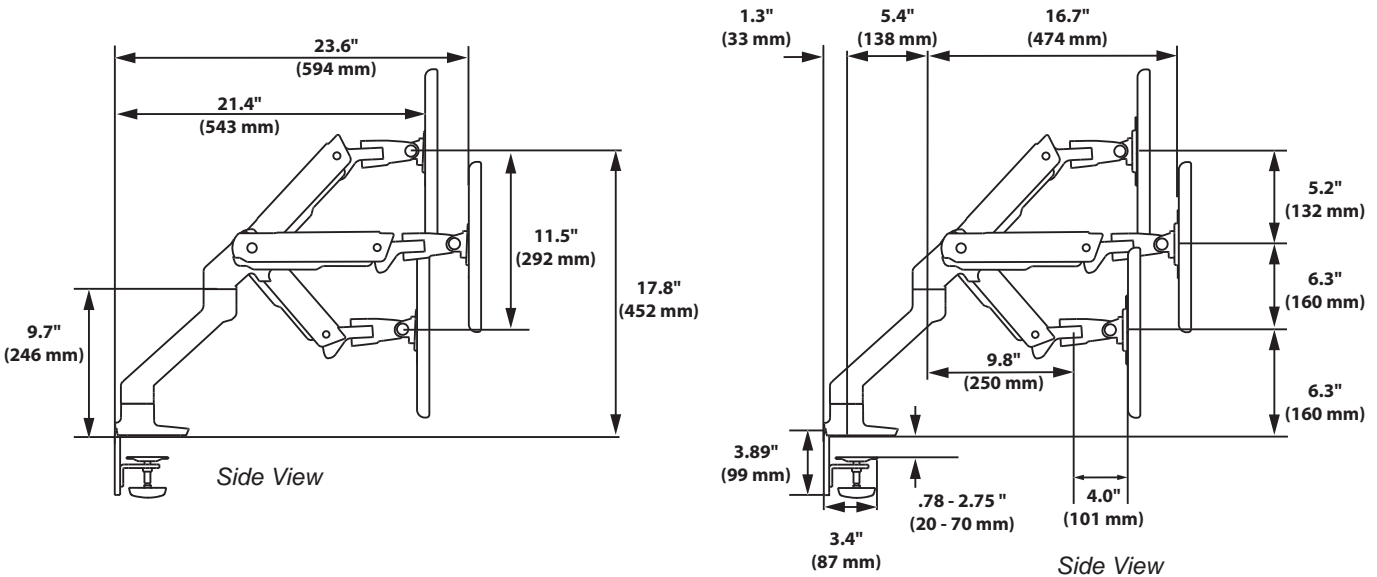
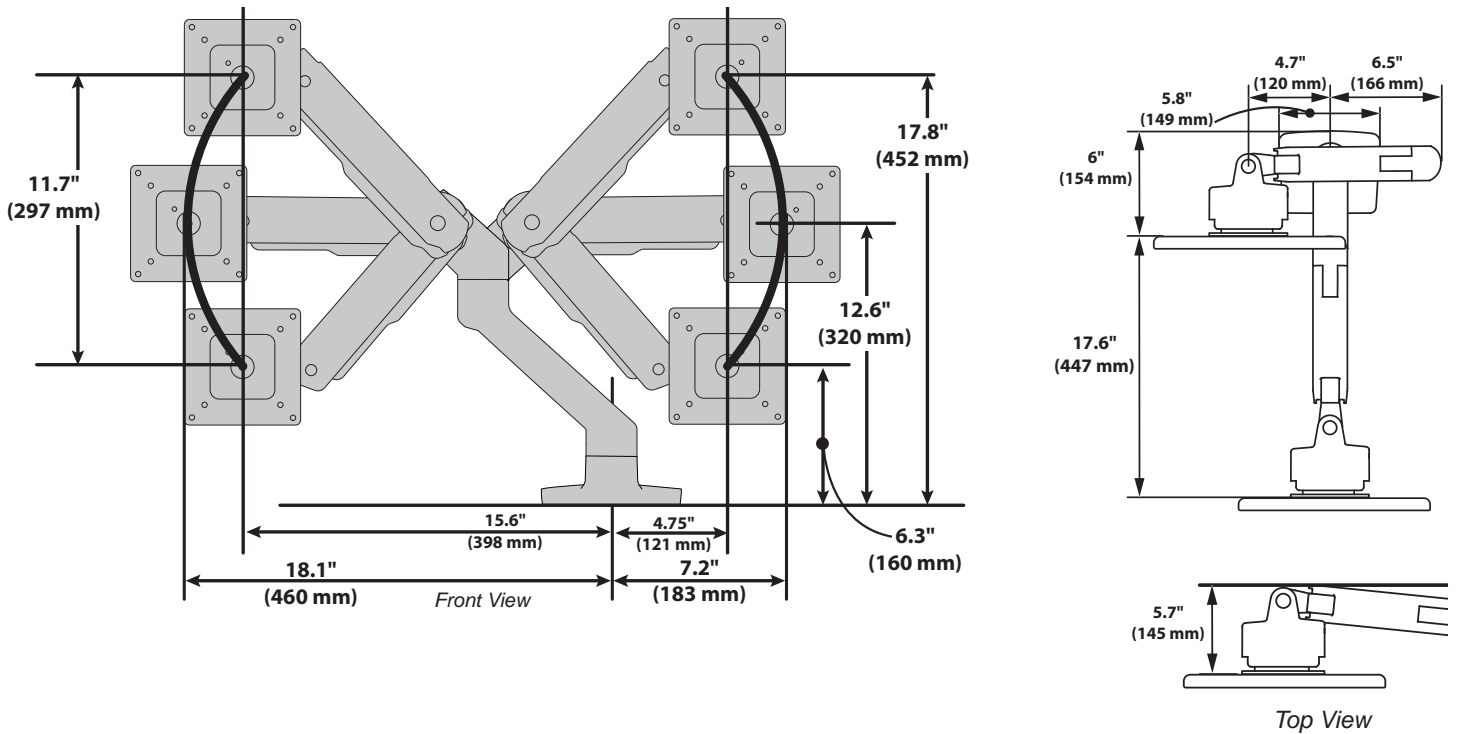
APAC Sales

Tokyo, Japan
www.ergotron.com
apaccustomerservice@ergotron.com

Worldwide OEM Sales

www.ergotron.com
info.oem@ergotron.com

Ergotron® HX Desk Monitor Arm



© 2016 Ergotron, Inc. rev. 011/28/2016 DIM-HXSingleDesk Content is subject to change without notification

Americas Sales and Corporate Headquarters

St. Paul, MN USA
 (800) 888-8458
 +1-651-681-7600
 www.ergotron.com
 sales@ergotron.com

EMEA Sales

Amersfoort, The Netherlands
 +31 33 45 45 600
 www.ergotron.com
 info.eu@ergotron.com

APAC Sales

Tokyo, Japan
 www.ergotron.com
 apaccustomerservice@ergotron.com

Worldwide OEM Sales

www.ergotron.com
 info.oem@ergotron.com