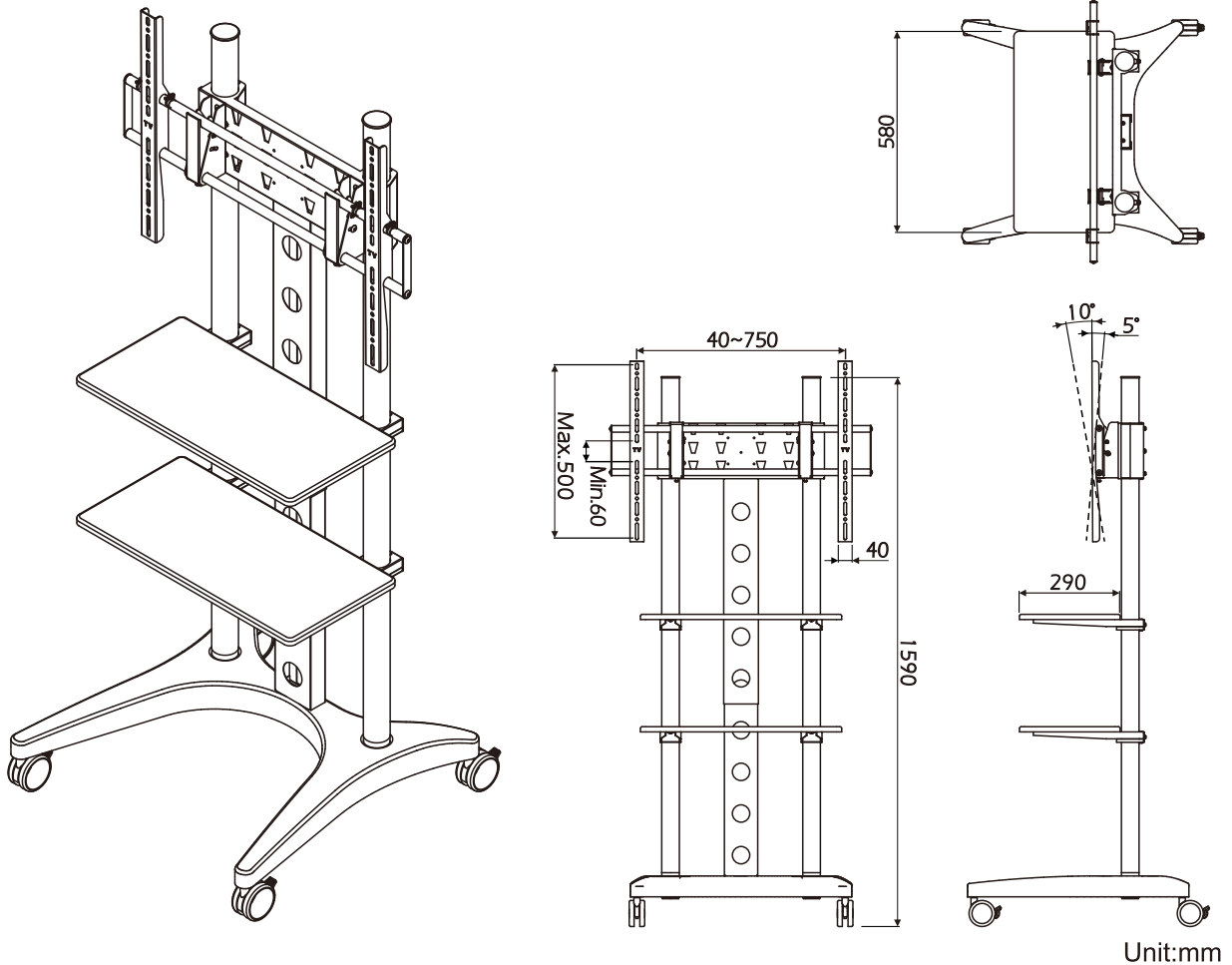


Specification

*For LCD TV Size: up to 65"(Max Loading: 80 kgs)



Unit:mm

Parts List

MAIN PARTS

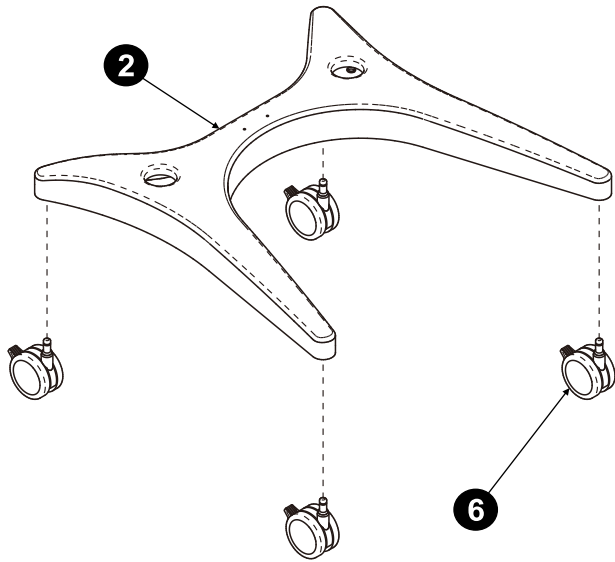
ITEM	1	2	3	4	5	6	7	8	9	10	11	12	13	14	15	16	17	18
PARTS																		
QTY	1	1	4	4	2	4	14	2	2	2	12	4	2	2	2	2	4	2

PARTS FOR TV BRACKETS

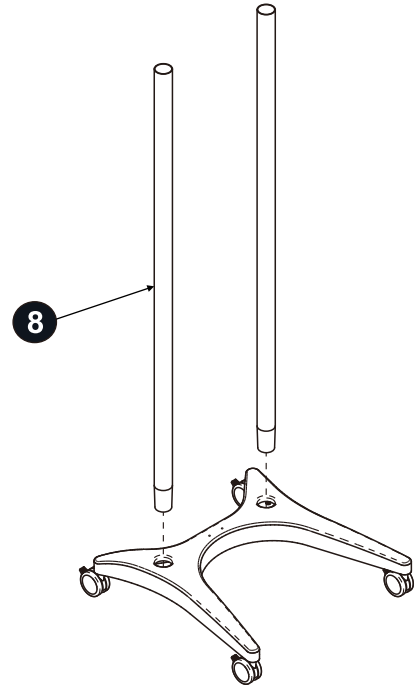
ITEM	19	20	21	ITEM	22	23	24	25	26	27	28	29	30	31	32	33
PARTS				PARTS												
QTY	1	1	4	QTY	4	4	4	4	4	4	4	4	4	8	8	1

Installation

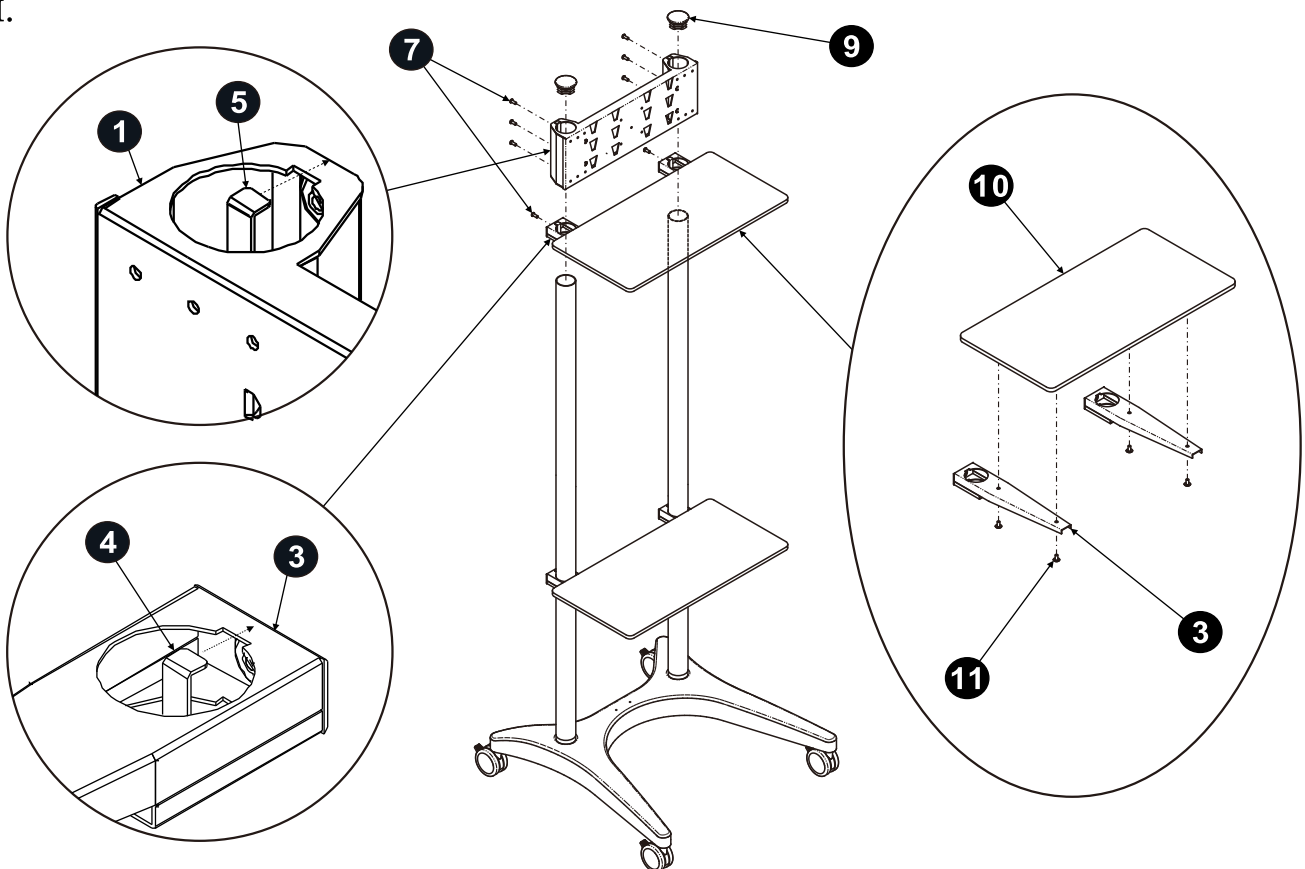
I.



II.

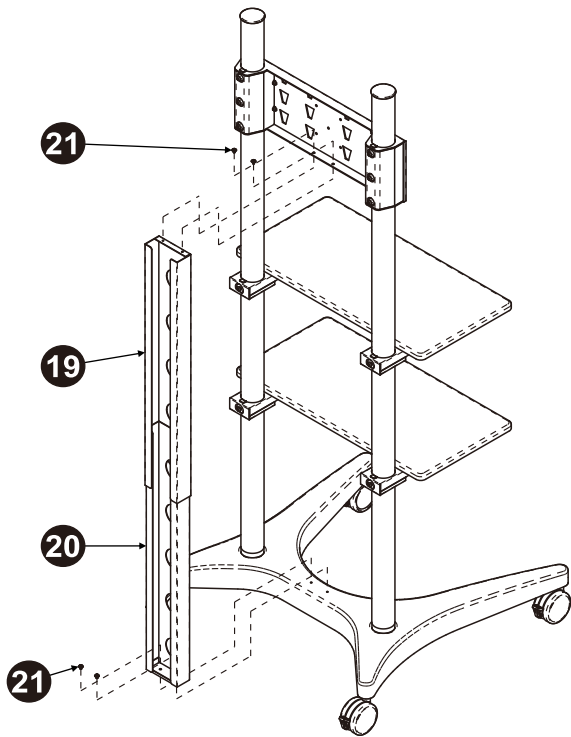


III.

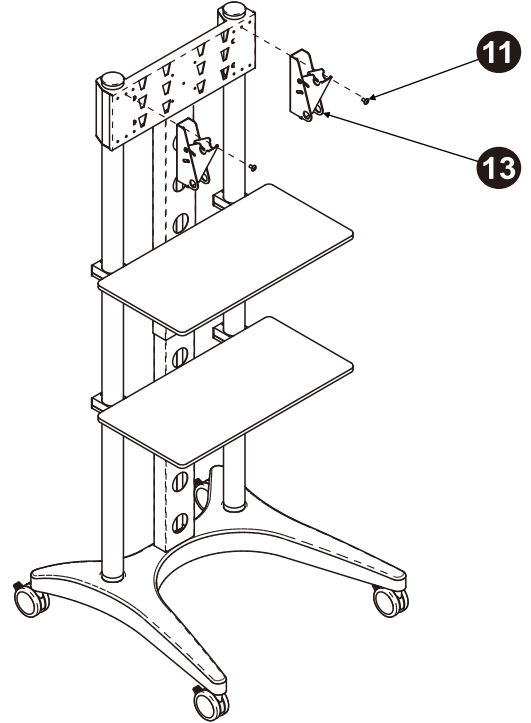


Installation

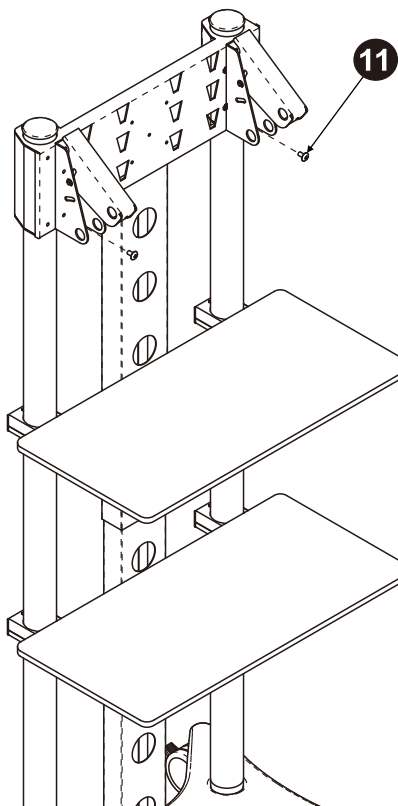
IV.



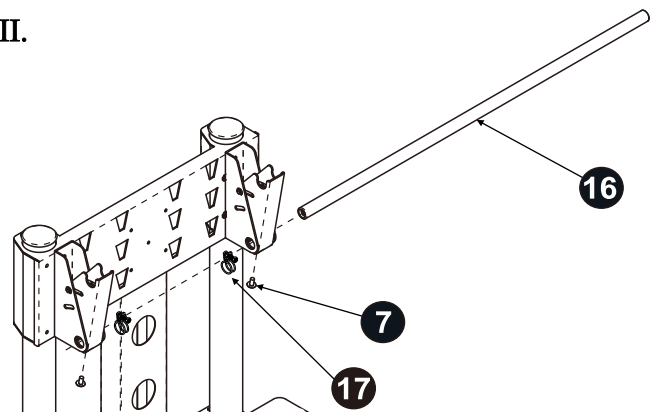
V.



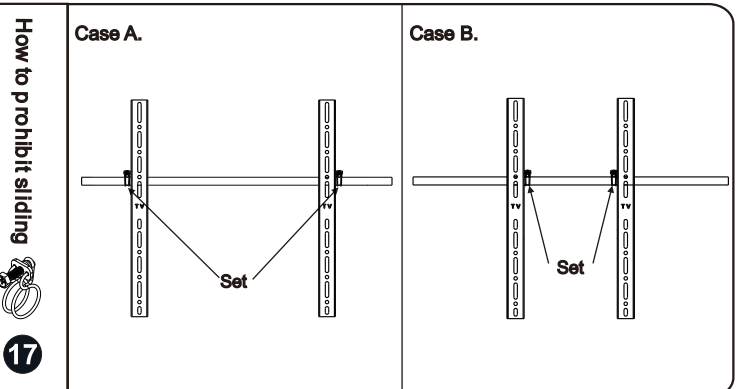
VI.



VII.

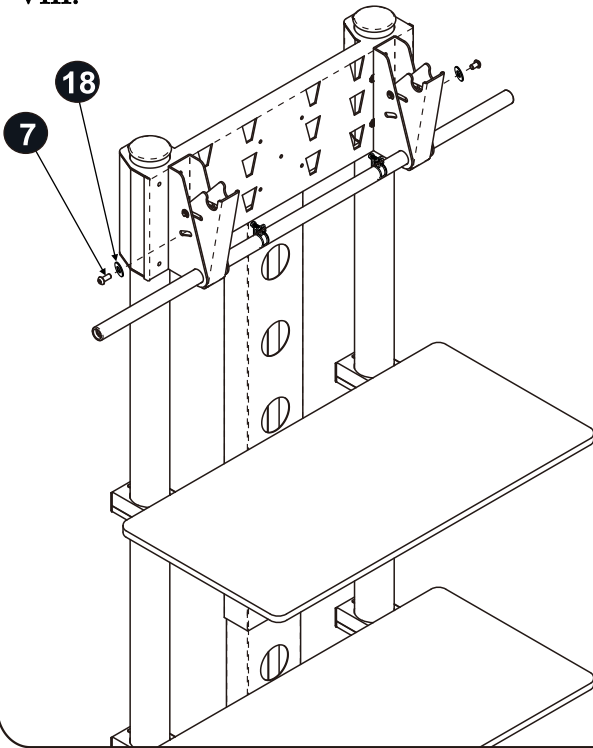


VIII. To choose one case before installing TV side

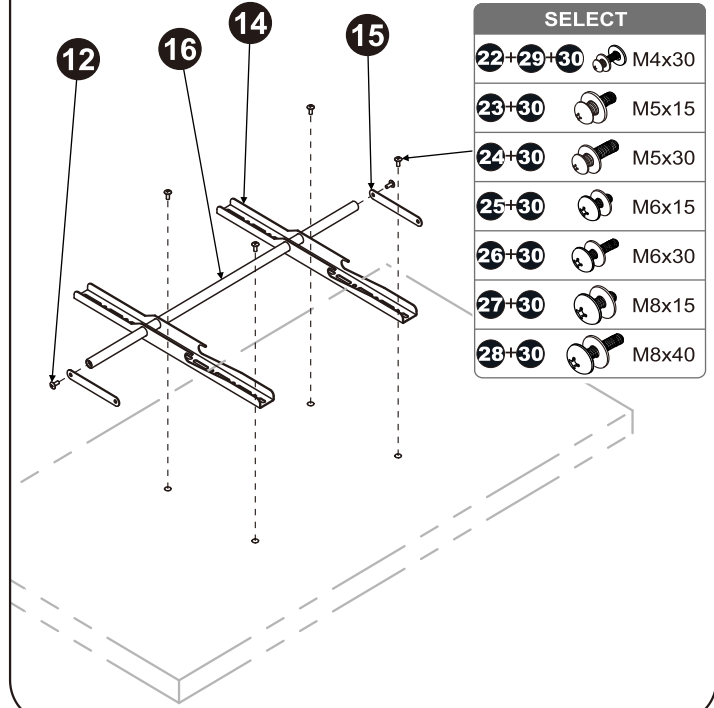


Installation

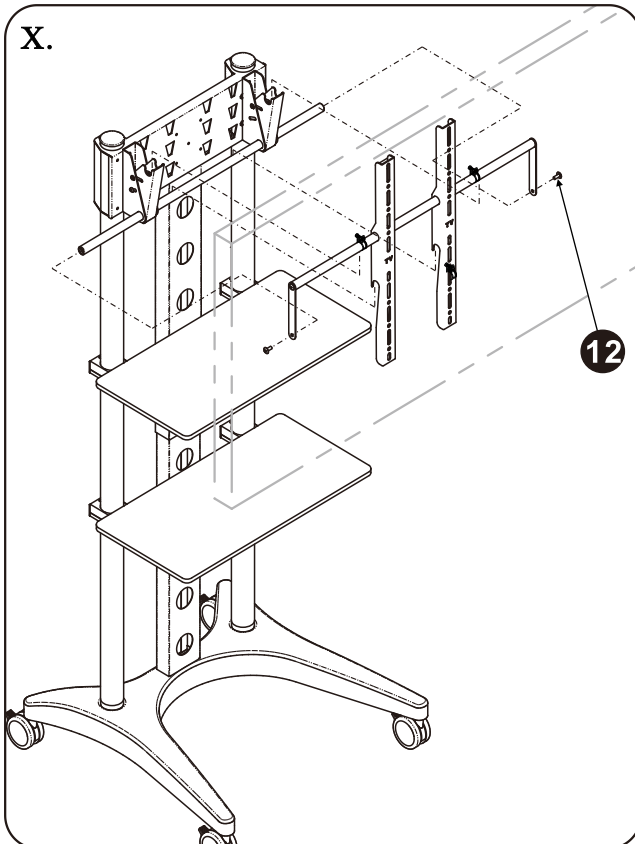
VIII.



IX.



X.



XI.

